

ROTARY FEEDERS

# Rotary Valve for Wood Pellets and Chippings RWN

DISTRIBUTED BY

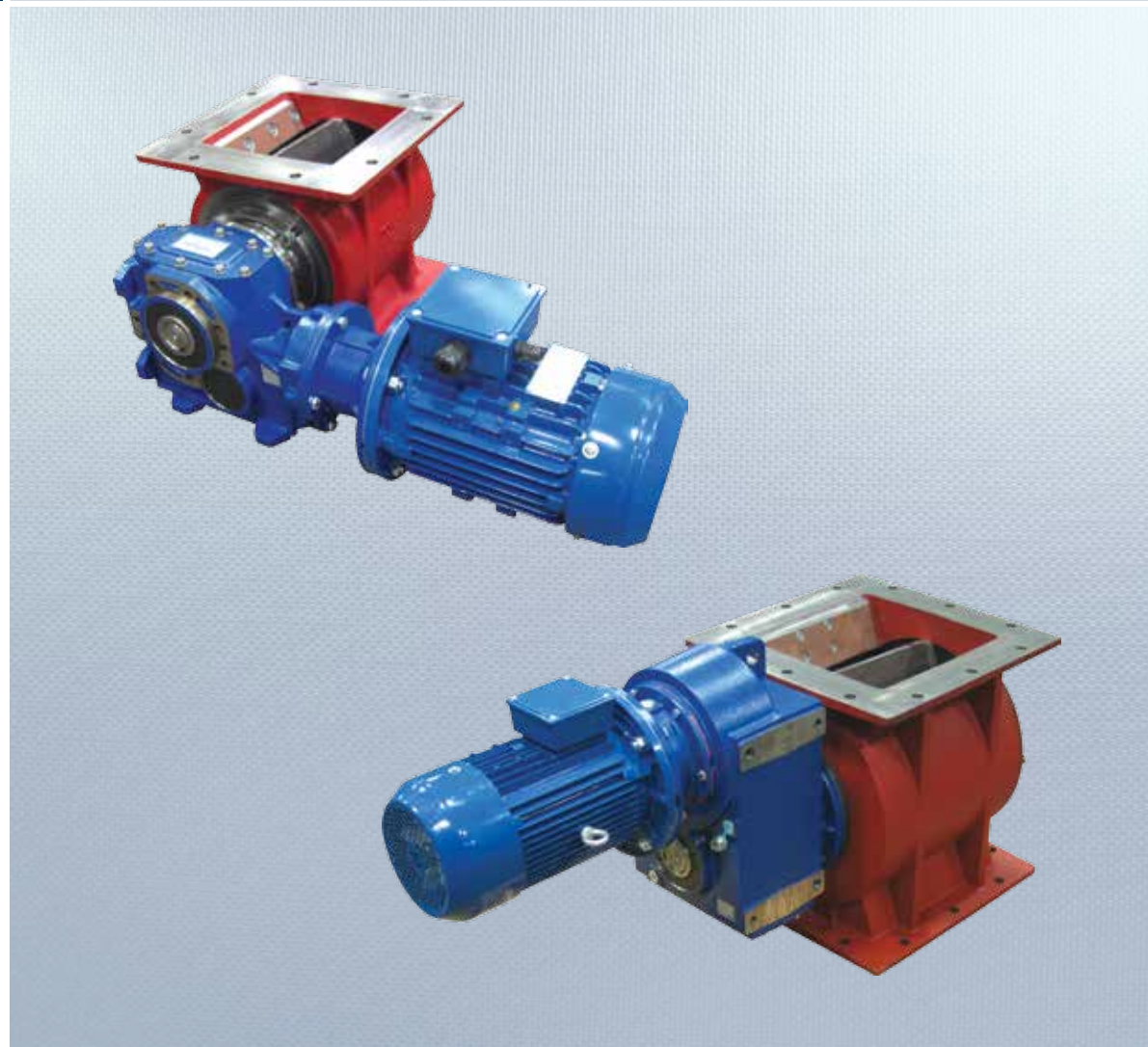
**INQUIP**  
BULK MATERIAL  
& DUST HANDLING  
PRODUCT » DENSITY » FLOW



**SERVICE & SUPPORT**

Wangara, WA +61 8 9413 1100  
support@inquip.com.au

inquip.com.au



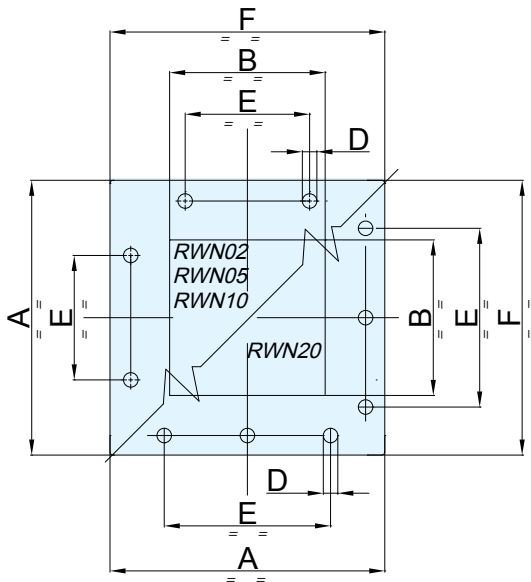
## COMPLETE PROTECTION AGAINST BURN-BACK, ENHANCED CUTTING ACTION AND REDUCED COMPRESSIVE FORCES, MAKES RWN THE PERFECT SOLUTION FOR WOOD CHIPS AND WOOD PELLETS APPLICATIONS

RWN Drop-Through Rotary Valves are designed to work with common wood pellets and chippings.

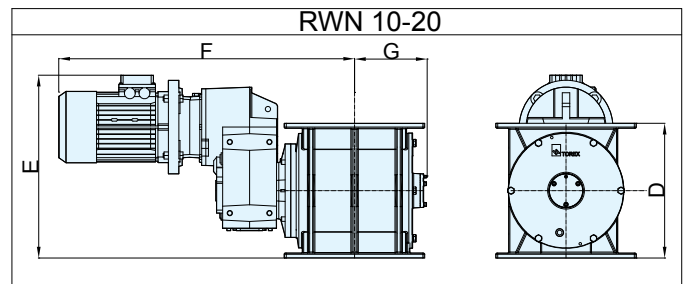
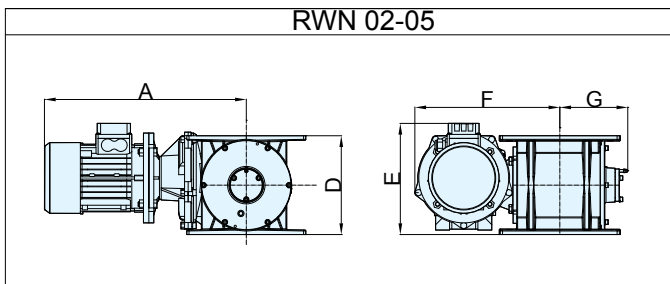
### Features

- Square inlet dimensions: 150x150 mm – 200x200 mm – 250x250 mm – 300x300 mm ((6x6" - 8x8" - 10x10" - 12x12"))
- Capacity: 2 – 5 – 10 – 20 litres/rev. (0.07 – 0.17 – 0.35 – 0.7 cu ft/rev)
- Working temperature: from -20°C up to 150°C (-4°F up to 300°F)
- Casing and flange material: cast iron
- Rotor: 4 sharp-edged blades manufactured from hardened steel

### Overall Dimensions



| STANDARD DIMENSIONS (mm) |     |     |    |     |     |
|--------------------------|-----|-----|----|-----|-----|
| Type                     | A   | B   | D  | E   | F   |
| RWN02                    | 265 | 150 | 14 | 120 | 225 |
| RWN05                    | 320 | 200 | 14 | 150 | 280 |
| RWN10                    | 375 | 250 | 14 | 180 | 335 |
| RWN20                    | 440 | 300 | 18 | 260 | 400 |

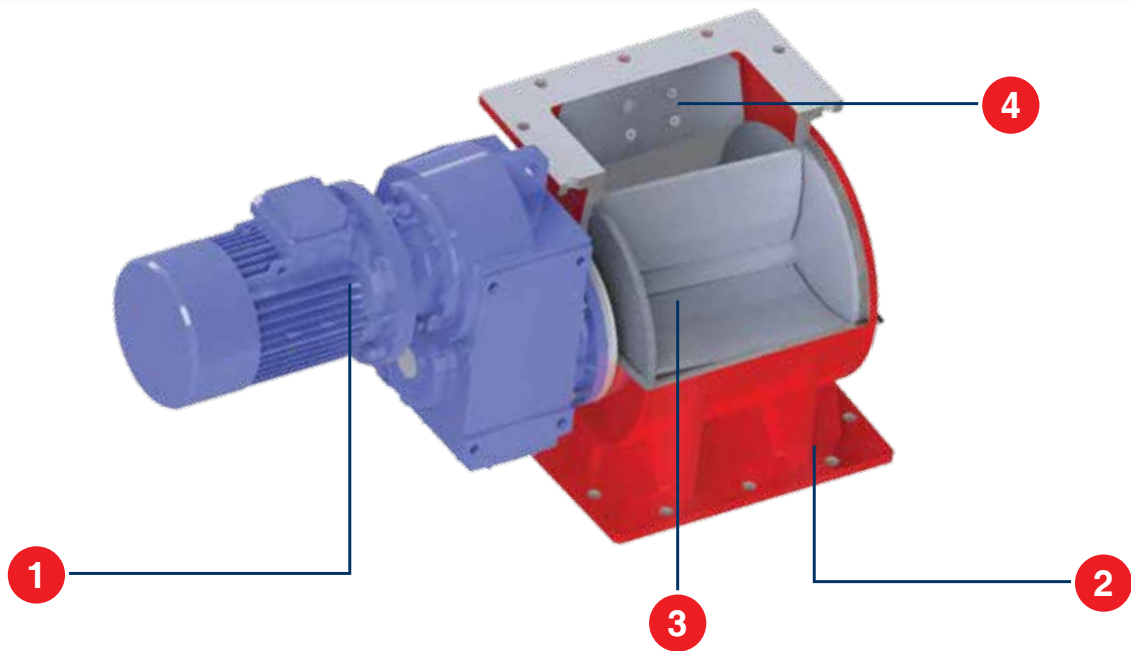


| Type   | A*  | D   | E*  | F*  | G   | Rotor Speed (rpm) | Motor Power (kW) |
|--------|-----|-----|-----|-----|-----|-------------------|------------------|
| RWN 02 | 500 | 220 | 248 | 325 | 131 | 20                | 0.75             |
|        |     |     |     |     |     | 30                | 1.1              |
| RWN 05 | 540 | 280 | 237 | 340 | 162 | 20                | 1.1              |
|        |     |     |     |     |     | 30                | 1.5              |
| RWN 10 | /   | 360 | 490 | 792 | 188 | 20                | 1.5              |
|        |     |     |     |     |     | 30                | 2.2              |
| RWN 20 | /   | 455 | 561 | 855 | 226 | 20                | 2.2              |
|        |     |     |     |     |     | 30                | 3.0              |

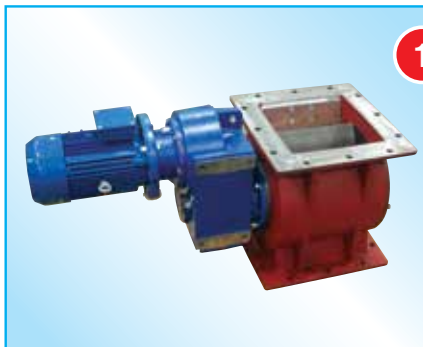
(\*) dimensions may vary depending on different standards.

## Benefits

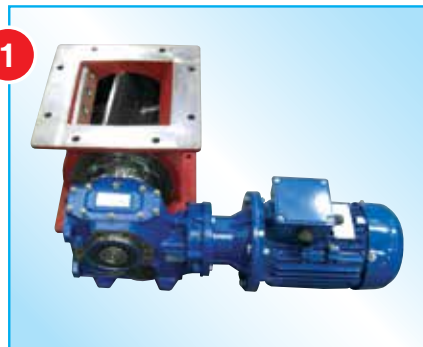
- ✓ Sturdy, compact structure;
- ✓ Drive unit mounted directly on shaft without further bearing assembly or coupling;
- ✓ Easy access to internal mechanical parts;
- ✓ The shape of the rotor blades manufactured from hardened steel enables the RWN to cut pieces of wood present in the bio-fuel mixture;
- ✓ Meant to work with wood fuel produced according to ONORM M7132, ONORM M7133 ONORM M7135 standards.



### DRIVE UNIT



RWN 10 - RWN 20 Direct Drive (20-30 rpm)



RWN 02 - RWN 05 Direct Drive (20-30 rpm)

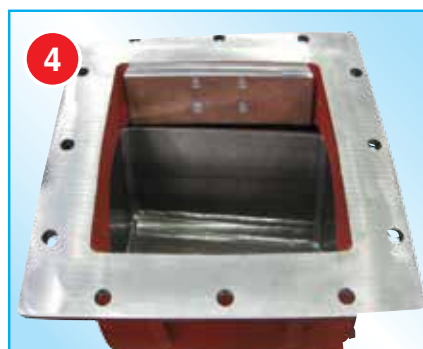
### CASING



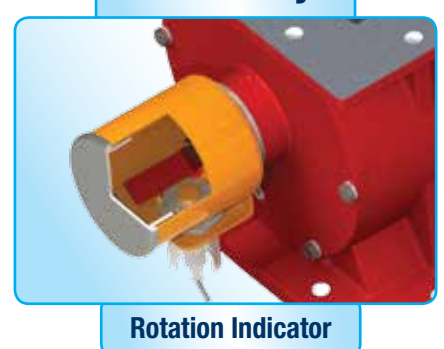
### ROTOR



### SCRAPER



### Accessory



Rotation Indicator



DISTRIBUTED BY



PRODUCT » DENSITY » FLOW

### SERVICE & SUPPORT

Wangara, WA +61 8 9413 1100  
support@inquip.com.au  
inquip.com.au



063002385 April 2017 Rights reserved to modify technical specifications.



www.wamgroup.com