

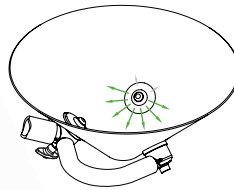
# VBT QuickFlow

One-way air fluidizer for dry bulk tank trailers



POWERED BY TRAMONTANA™ DISK FLUIDIZER (PATENT PENDING)

## THE FASTEST LOAD-OUT SPEED



### Revolutionary Design

New, innovative & patented shape, designed to maximise system efficiency



## AIR FLUIDIZER FOR DRY BULK TANK TRAILER

**INQUIP**  
BULK MATERIAL  
& DUST HANDLING

SERVICE & SUPPORT

(08) 6314 1100 | [info@inquip.com.au](mailto:info@inquip.com.au)  
[inquip.com.au](http://inquip.com.au)





# VBT Innovative Solutions

## New, innovative, revolutionary

The VBT is designed to maximise trailer unloading efficiency: the TRAMONTANA™ disk fluidizer (patent pending) boosts powder discharge speed. Self-cleaning manifold design.



## Food & Pharmaceutical Grade

Made with FDA approved components

### VBT SERIES

|                 |                                    |
|-----------------|------------------------------------|
| APPLICATION     | Dry bulk tank trailer, rail tanker |
| POWDER          | Dry, fine, granular                |
| PROBLEM SOLVING | Bridging and rat-holing            |

### FEATURES

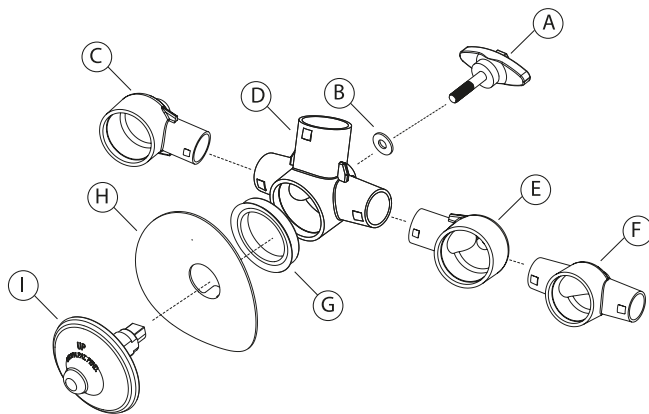
|                     |   |
|---------------------|---|
| DUTY CYCLE          | Continuous (suitable to be used with blower)  |
| WORKING PRESSURE    | From 0.7 Bar to 2 Bar (from 10 PSI to 29 PSI)   |
| PNEUMATIC CIRCUIT   | Suitable standard pneumatic bulk trailer, works with all standard designs   |
| WORKING TEMPERATURE | From -40°C to 170°C (from -40°F to 340°F)   |
| TECHNOLOGY          | Vibro-aeration  |
| MATERIAL            | Blue silicone membrane - metal detectable, comply with FDA 177.2600<br>Stem - Black polyarylamide glass-fiber reinforced comply with 10/2011/EC - FDA - UL94<br>Manifold - Black polyarylamide glass-fiber reinforced comply with 10/2011/EC - FDA - UL94<br>Manifold - Transparent material comply with ISO 10993 - FDA 21 CFR 177.1655 - NSF 51 - UL94<br>T-handle - Black polyarylamide glass-fiber reinforced / Stainless steel thread shaft<br>Silicone gasket |

### OPTIONS

|                    |                         |
|--------------------|-------------------------|
| CAM LEVER          | Shaft material: AISI304 |
| HOPPER SAVER PLATE | Stainless steel         |
| SILICONE MEMBRANE  | White colour            |



# Components



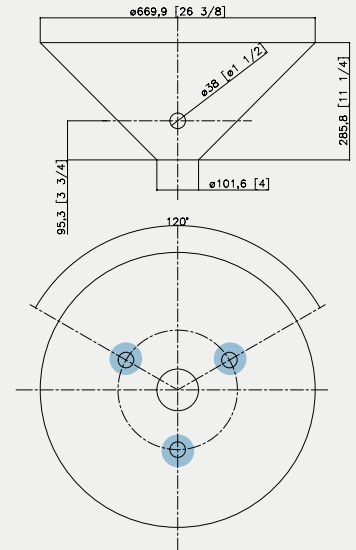
- A - T-handle lock system
- B - Gasket
- C - LH 1way air collector
- D - 3way air collector
- E - RH 1way air collector

- F - 2way air collector
- G - Air collector gasket
- H - Hopper saver - optional
- I - Membrane

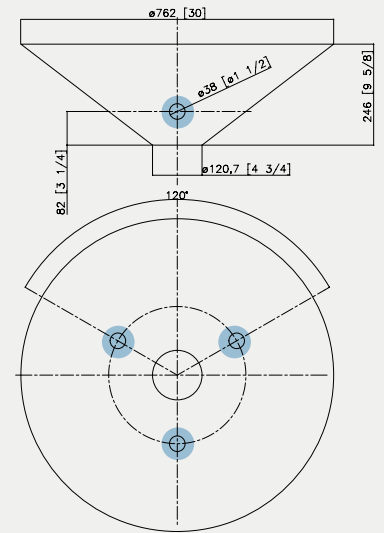
# INSTALLATION

Dimensions are in cm, within brackets are in inches

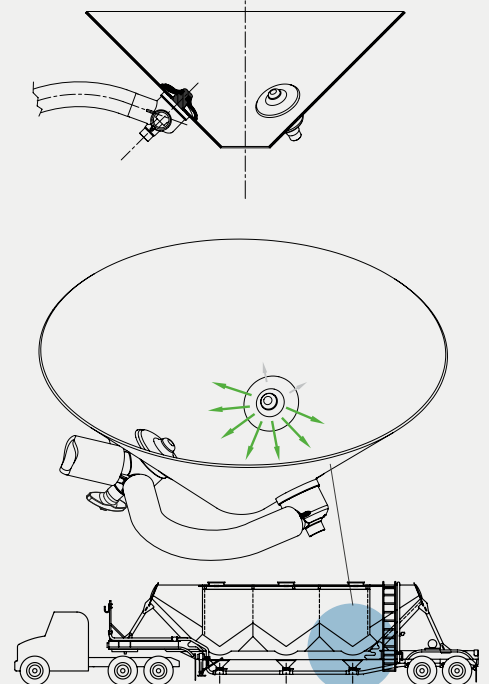
45° ANGLE TAPER



37° ANGLE TAPER



APPLICATION



# Comparison chart – OLI vs. competitors



## DURABILITY

### COMPETITORS



|                      |                               |   |
|----------------------|-------------------------------|---|
| Durable disk         | Acceptable                    | Higher durability due to thicker profile in high wear areas |
| Stainless steel post | Optional                      | Standard  |
| Manifold & stem      | Fibre-reinforced grey plastic | High performance, FDA and UL94 engineering polymer compound |
| Max. temperature     | 170°C (340°F) (membrane only) | 170°C (340°F) - white or blue membrane (complete unit)      |



## EFFICIENCY

|                        |    |   |
|------------------------|----|---|
| Enhanced air fluidizer | No | TRAMONTANA™ disk: the Venturi style disk cavity of the VBT boosts air flow in the direction of the discharge reducing load-out time |
| Compact manifold       | No | Reduced turbulence, increased usable air flow, self cleaning manifold design - Zero powder deposit                                  |
| Easy fit inlets        | No | Increased air flow (by reducing tube bends)   |
| Dual seal technology   | No | Yes   |



## DESIGN

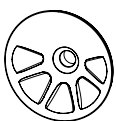
|                        |         |  |
|------------------------|---------|--|
| Smooth disk outer wall | No      | Smooth disk outer wall to avoid material sticking to its surface, thus increasing product flow |
| Easy installation      | Good    | Best   |
| Food-grade             | Option  | Standard   |
| Metal detectable disk  | No      | Standard   |
| Interchangeability     | Limited | Yes  |
| Backflow protection    | Yes     | Yes  |



## LOADOUT SPEED

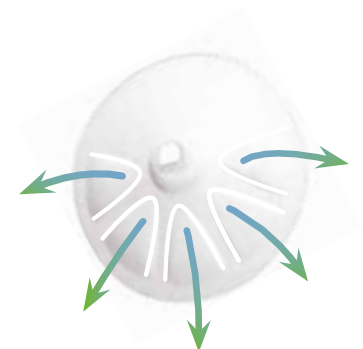
|                |      |                                    |
|----------------|------|------------------------------------|
| Loadout speed* | Good | 25% faster than closest competitor |
|----------------|------|------------------------------------|

\* Based on testing conducted by WAMGROUP and field test. Competitors' data are the ones commercially available on the market. We do not take any responsibility regarding the accuracy of the above data.



**FASTER → TRAMONTANA™ disk fluidizer (patent pending)**

One-way directional air flow to boost powder discharge





# WHEN YOU NEED IT, WHERE YOU NEED IT

## THE WORLDWIDE LEADER IN VIBRATION TECHNOLOGY



### WORLDWIDE SUBSIDIARIES

OLI Australia  
OLI Benelux  
OLI Brazil  
OLI China  
OLI France  
OLI Germany  
OLI India  
OLI Indonesia

OLI Italy  
OLI Korea  
OLI Malaysia  
OLI Malta  
OLI Mexico  
OLI Middle East  
OLI Nordic  
OLI Poland

OLI Russia  
OLI South Africa  
OLI Spain  
OLI Thailand  
OLI Turkey  
OLI UK  
OLI USA  
OLI Vietnam



### SERVICE & SUPPORT

(08) 6314 1100 | [info@inquip.com.au](mailto:info@inquip.com.au)  
[inquip.com.au](http://inquip.com.au)

