

Torsional Highflex Couplings

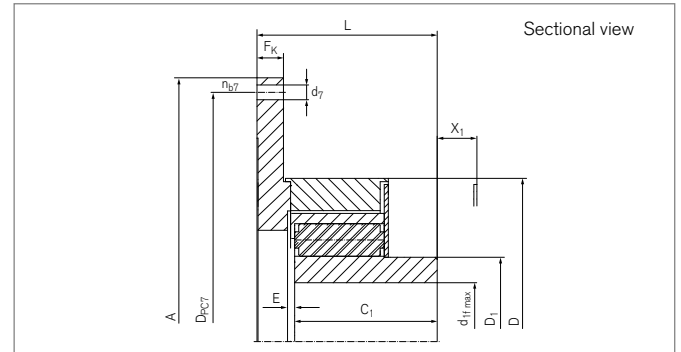
RINGFEDER® TNR 2424.2

Two-row, SAE flange-shaft connections

DISTRIBUTED BY



chainanddrives.com.au
support@chainanddrives.com.au



Size	$d_{1f \max}$	SAE size	A	D_{PC7}	d_7	n_{b7}	D	D_1	C_1
			mm	mm	mm		mm	mm	mm
160.2 - 06.5	50	6,5	215,9	200,0	9,5	6	160	73	65
160.2 - 07.5	50	7,5	241,3	222,3	9,5	8	160	73	65
160.2 - 08.0	50	8,0	263,5	244,5	11,0	6	160	73	65
160.2 - 10.0	50	10,0	314,3	295,3	11,0	8	160	73	65
200.2 - 07.5	70	7,5	222,3	213,3	9,5	8	200	100	90
200.2 - 08.0	70	8,0	263,5	244,5	11,0	6	200	100	90
200.2 - 10.0	70	10,0	314,3	295,3	11,0	8	200	100	90
200.2 - 11.5	70	11,5	352,4	333,7	11,0	8	200	100	90
260.2 - 10.0	90	10,0	314,3	295,3	11,0	8	260	129	115
260.2 - 11.5	90	11,5	352,4	333,7	11,0	8	260	129	115
260.2 - 14.0	90	14,0	466,7	438,2	14,5	8	260	129	115
260.2 - 16.0	90	16,0	517,5	489,0	14,5	8	260	129	115
320.2 - 14.0	115	14,0	466,7	438,2	14,5	8	320	165	140
320.2 - 16.0	115	16,0	517,5	489,0	14,5	8	320	165	140
320.2 - 18.0	115	18,0	571,5	542,9	18,0	6	320	165	140
400.2 - 16.0	145	16,0	517,5	489,0	14,5	8	400	208	175
400.2 - 18.0	145	18,0	571,5	542,9	18,0	6	400	208	175
400.2 - 21.0	145	21,0	673,1	641,4	18,0	12	400	208	175
400.2 - 24.0	145	24,0	733,4	692,2	22,0	12	400	208	175
500.2 - 21.0	185	21,0	673,1	641,4	18,0	12	500	268	230
500.2 - 24.0	185	24,0	733,4	692,2	22,0	12	500	268	230
640.2 - 24.0	230	24,0	733,4	692,2	22,0	12	640	335	300

To continue see next page

Torsional Highflex Couplings RINGFEDER® TNR 2424.2

Size	L	E	F _E	F _K	X ₁	J _F	J _N ¹⁾	G _{wub} ¹⁾
	mm	mm	mm	mm	mm	10 ⁻³ kgm ²	10 ⁻³ kgm ²	kg
160.2 - 06.5	86	4,0	-1	15	28	10	3	5,0
160.2 - 07.5	86	4,0	-1	15	28	13	3	5,3
160.2 - 08.0	86	4,0	-1	15	28	17	3	5,6
160.2 - 10.0	86	4,0	-1	15	28	32	3	6,5
200.2 - 07.5	115	5,0	-2	18	23	21	14	10,1
200.2 - 08.0	115	5,0	-2	18	23	26	14	10,5
200.2 - 10.0	115	5,0	-2	18	23	43	14	11,6
200.2 - 11.5	115	5,0	-2	18	23	64	14	12,5
260.2 - 10.0	147	6,0	-2	24	28	86	44	21,9
260.2 - 11.5	147	6,0	-2	24	28	112	44	23,2
260.2 - 14.0	147	6,0	-2	24	28	254	44	27,3
260.2 - 16.0	147	6,0	-2	24	28	375	44	29,7
320.2 - 14.0	177	7,0	-2	26	39	464	144	47,4
320.2 - 16.0	177	7,0	-2	26	39	652	144	50,5
320.2 - 18.0	177	7,0	-2	26	39	1185	144	56,9
400.2 - 16.0	216	8,0	-2	31	51	740	462	83,4
400.2 - 18.0	216	8,0	-2	31	51	951	462	87,1
400.2 - 21.0	216	8,0	-2	31	51	1559	462	94,7
400.2 - 24.0	216	8,0	-2	31	51	2015	462	99,2
500.2 - 21.0	276	10,0	-3	34	52	2327	1544	172,0
500.2 - 24.0	276	10,0	-3	34	52	2802	1544	176,0
640.2 - 24.0	360	12,5	-5	45	60	5994	5100	340,0

¹⁾ Weight and moment of inertia for unbored hubs

To continue see next page

Torsional Highflex Couplings RINGFEDER® TNR 2424.2

Explanations

d_{1f max} = Max. bore diameter d ₁ with keyway acc. to ANSI B17.1	D = Outer diameter	F_K = Flange thickness
SAE = Flange connection to SAE J 620 d	D₁ = Outer diameter	X₁ = Required space for dismounting of the elastic buffer
A = Max. outer diameter	C₁ = Guided length in hub bore	J_F = Moment of inertia on thrust flange side
D_{PC7} = Pitch circle diameter of bore holes d ₇	L = Total length	J_N = Moment of inertia hub side
d₇ = Bore diameter	E = Gap width between left and right component	G_{wub} = Weight, unbored
n_{b7} = Quantity of bore d ₇	F_E = Tolerance of the gap width E	

Ordering example

Series	Size	Buffer	d _{1f}	Further details ^{*)}
TNR 2424.2	260.2 - 14.0	Pb 70/Pb 60	80	*

^{*)} Without any other specification, we deliver as a standard: with set screws and keyway acc. to DIN 6885-1, keyway side fit P9, bore tolerance H7

Further information on
RINGFEDER® TNR 2424.2

DISTRIBUTED BY



chainanddrives.com.au
support@chainanddrives.com.au

Disclaimer of liability

All technical details and notes are non-binding and cannot be used as a basis for legal claims. The user is obligated to determine whether the represented products meet his requirements. We reserve the right carry out modifications at any time in the interests of technical progress.