

W22 Brake Motor

Three-phase Electric Motor

Technical Catalogue

Australian Market



Motors | Automation | Energy | Transmission & Distribution | Coatings

W22 Brake Motor

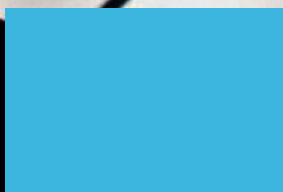
In order to obtain productivity and high performance, a company must count on reliable equipment, operating in accordance with its purpose. That is the essence of the W22 Brake Motor:

Provide the production process with synergy and agility.

Featuring a braking system with high torque and durability, the W22 Brake Motor is ideal for equipment that requires fast stops for safety, accurate positioning and time saving.

The W22 Brake Motor introduces characteristics in the braking system and platform, which counts on the same innovative features that make the W22 line a great success:

- Frame structure that reduces air dispersion and improves the cooling
- Terminal box with greater internal space and easy handling
- Solid feet that simplify the motor alignment and installation
- Frame providing high mechanical strength and low vibration levels



Features

Standard

- Rated output: 0,12 kW to 75 kW
- Number of Poles: 2 to 8
- Frame size: 63 to 250S/M
- Frequency: 50 Hz
- Voltage:
 - 220-240/380-415 V (frames 63 to 100L)
 - 380-415/660 V (frames 112M and 250S/M)
- Brake power supply: 220-240 V
- Normally closed brake
- Design: N
- Insulation class: H (DT 80K)
- Degree of protection: IP66
- Mounting: B3R
- Cooling method: TEFC (Totally Enclosed Fan-Cooled) - IC411
- Frame and terminal box material: Cast iron FC-200
- Fan material: Plastic (63 to 132M/L)
Aluminium (160M and above)
- Shaft material: AISI 1040/45
- Ball bearings
- DE bearing seal:
 - Double lip oil seal (frames 63 to 200L)
 - WSeal® (frames 225S/M and 250S/M)
- NDE bearing: Nitrillic rubber lip seal
- Painting plan: 203A, classified as corrosion category C2, according to ISO 12944:2
- Color: Green RAL6002
- PTC Thermistor (160M and above)
- Terminal block (BMC 6-pins)

Optional

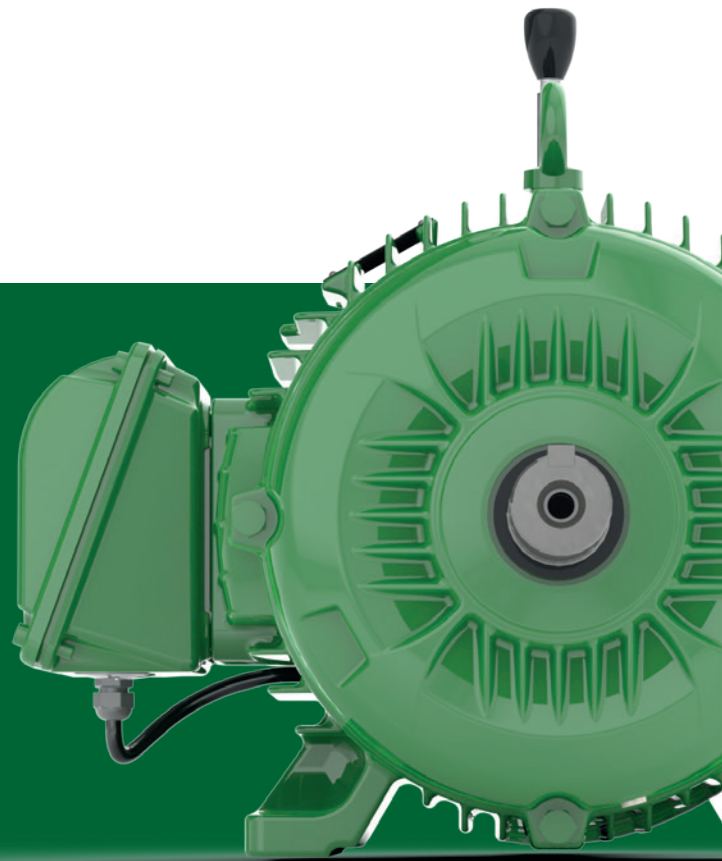
- Mounting: B35, B5, V1, V3, V6, among others.
- Degree of protection: IP55
- DE bearing seal: W3 Seal
- Vibration level: Degree B
- Space heater
- Cable gland
- Drip cover
- Encoder (from frame 90S and up)
- Stainless steel screws
- Insulation class: "F"
- Able to operate with frequency inverter*
- Manual brake release (up to frame 200L)**
- Microswitch to monitor the air gap or brake opening (from frame 100L up)
- Brake power supply:
 - 380-415 V
 - 440-480 V
- Additional terminal box for frames 160M to 250S/M

*For motors able to operate with frequency inverter, WEG recommends the use of thermal protection on the winding.

**Not available for frames 63 to 80 with terminal box on top.

Ideal for applications that require immediate, accurate and safe stops, position control and energy saving.

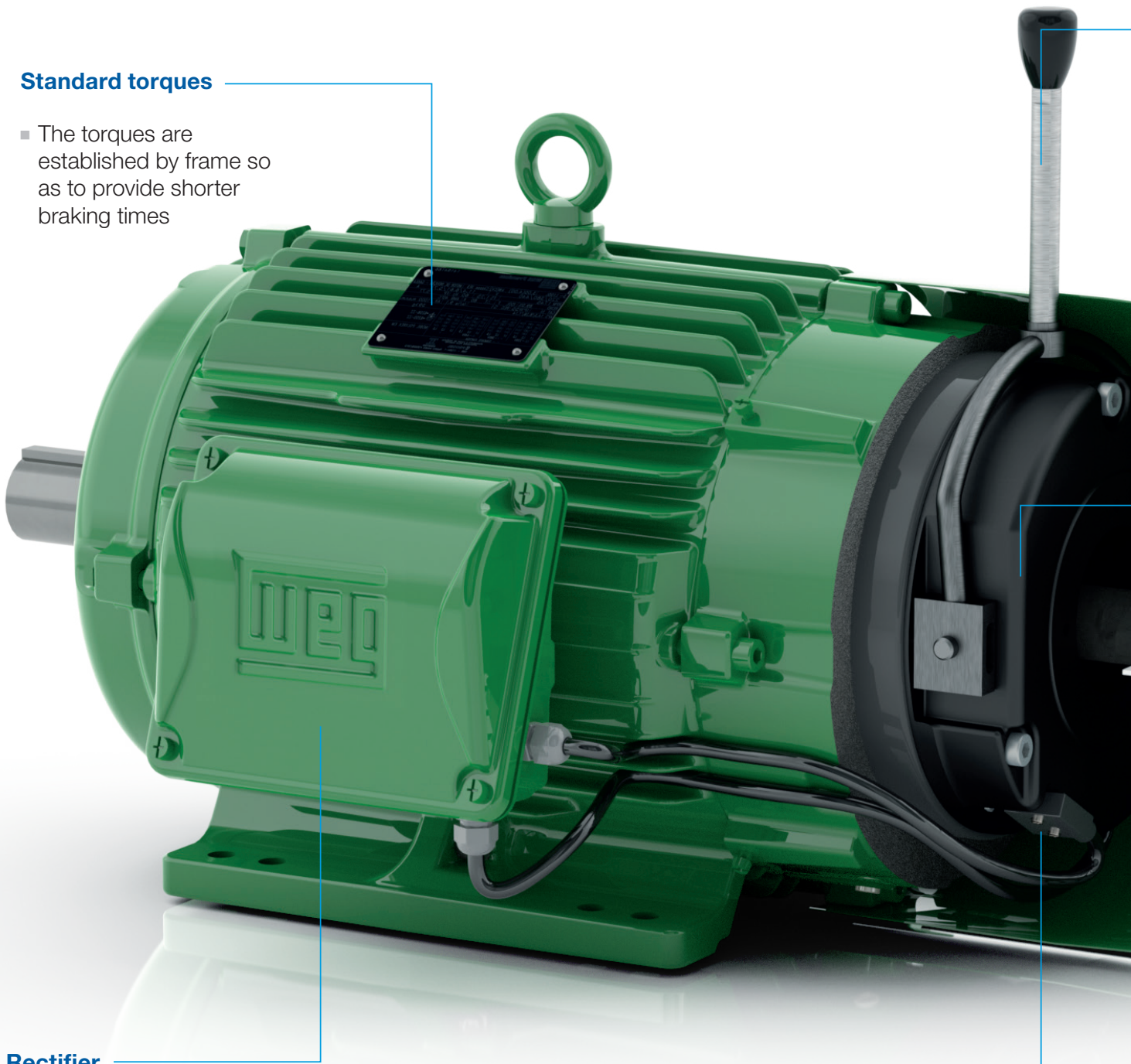
The W22 Brake Motor is suitable for many different applications, such as load elevators, hoists, shears, machining equipment, looms, packaging machines, conveyors, washing and bottling machines, bending machines, among others.



Optimisations of the braking system

Standard torques

- The torques are established by frame so as to provide shorter braking times



Rectifier

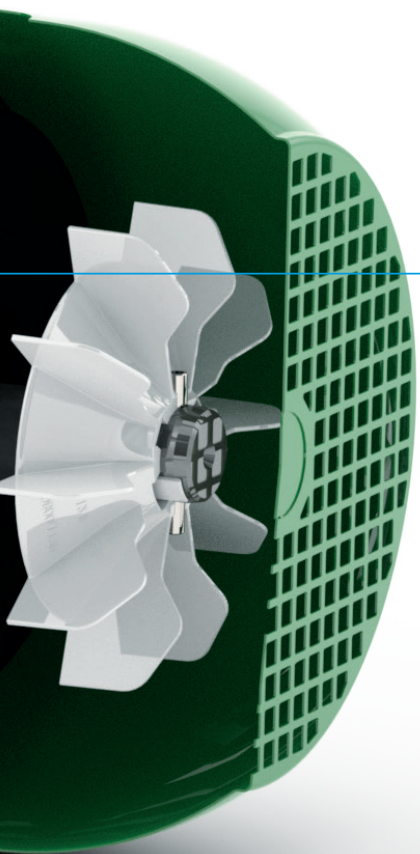
- It can operate with voltage variations of up to 10%
- Robust and compact construction that allows installation in the motor main terminal box

Microswitch (optional)

- Sensor to monitor the opening (I/O) or wear of the brake
- It informs the moment to replace the brake, eliminating the need of manual monitoring

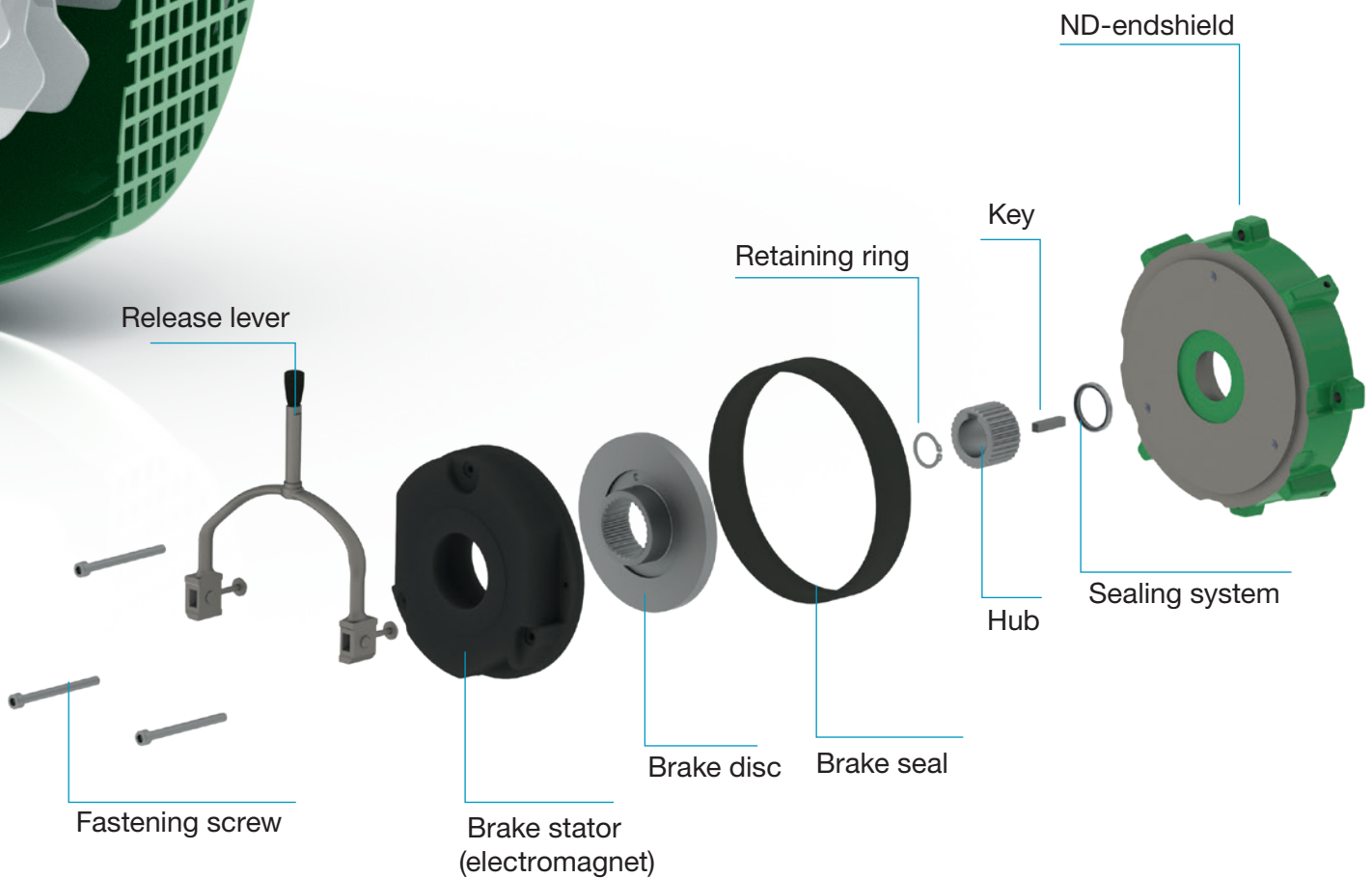
Manual release lever (optional)

- Motor shaft may remain free in emergency situations or when necessary



Main brake parts

- The friction element of the brake provides less wear and more safety
- According to platform of world class brake models (interchangeable)
- Guarantee of fast and accurate brakes
- System with fewer moving parts reduces downtime for maintenance



General features

How does a brake work?

In order to ensure fast and accurate stops, the system of the W22 Brake Motor works as follows: when the motor is disconnected from the line, the current of the brake coil is also interrupted, which makes the coil stop actuating. Then, the springs push the armature towards the motor, compressing the brake disc between the armature and the ND-endshield, thus braking the motor.

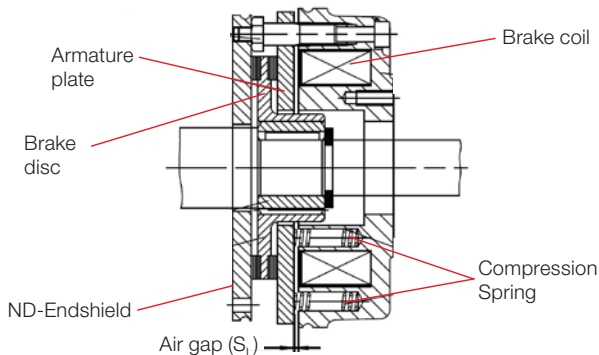


Figure 1 - Scheme of the brake components.

At a new start, the system simultaneously starts the motor and powers up the brake coil. The armature is attracted against the frame of the brake coil, overcoming the pressure of the springs and releasing the brake disc, which moves in the axial direction away from the friction surface. Thus, the braking action ceases and the motor is free to start.

Electromagnetic coil power supply

The electromagnetic coil is powered by direct current (DC) which can be supplied by a DC voltage source or bridge rectifier which converts AC to DC current. The bridge rectifier consists of diodes and varistors that filter undesirable voltage spikes and enable fast current shutdown.

The direct current power supply provides higher speed and reliable brake operation.

The alternating current (AC) power supply for the bridge rectifier can be obtained from an independent source, or from the motor terminals, provided the motor is not supplied by frequency inverter. This power supply can be 220/230/240 V, 380/400/415 V, or 440/460/480 V, according to the features of the bridge rectifier/brake coil assembly.

The electromagnetic coil can be operated continuously within $\pm 10\%$ of its rated voltage.



Figure 2 - Detail of the bridge rectifier inside the terminal box.

If the brake coil is supplied by direct current, it must be directly connected to the brake terminals.

Braking system

The W22 Brake Motor allows two braking system: Normal Braking or Fast Braking.

Normal Braking

The bridge rectifier of the brake coil can be supplied directly from the motor terminals, without interruption, as shown in Figure 3.

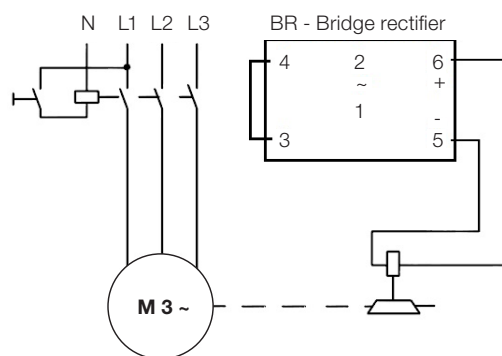


Figure 3 - Connection diagram of the bridge rectifier for normal braking.

Fast Braking

For fast braking, the bridge rectifier must be connected as shown in Figure 4.

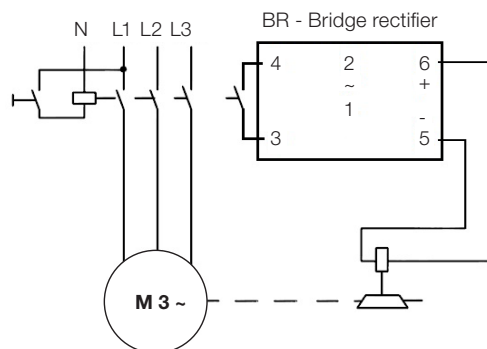


Figure 4 - Connection diagram of the bridge rectifier for fast braking.

Air gap adjustment

In order to ensure proper operation of the brake, it is important to check and adjust the air gap (space between brake armature and frame), according to the values of Table 1.

Frame	Brake size	Air gap ($^{+0.1}_{-0.05}$) [mm]
63	6	0,2
71 e 80	8	
90	10	
100	12	0,3
112	14	
132	16	0,4
160	18	
180	20	0,5
200/225	25	
250	31	

Table 1 - Values to adjust the air gap.

Power and resistance of the brake stator

Frame	Brake size	Brake voltage [V]	Electric power [W]	Resistance [ohm]
63	6	180	20	1620
		205		2101
		250		3125
71/80	8	180	25	1296
		205		1681
		250		2500
90	10	180	32	1013
		205	33	1273
		250		1894
100	12	180	40	810
		205		1051
		250		1563
112	14	180	53	611,3
		205		792,9
		250		1179
132	16	180	55	589,1
		205	56	750,5
		250		1116
160	18	180	85	387,2
		205		494,4
		250		735
180	20	180	100	324
		205		420,3
		250		625
200/225	25 (up to 600 Nm)	180	110	294,6
		205		382,1
		250		568
		360		79,6
225/250	25 (> 600 Nm)	205	528	245,5
	31	360		920

Table 2 - Power and resistance of the brake stator.

Optional accessories

In order to ensure even more safety and convenience for the application, the W22 Brake Motors can be supplied with some special features:

Manual release lever

It allows the motor shaft to be released in emergency cases or power outages. It can be supplied for motors up to frame 200L.

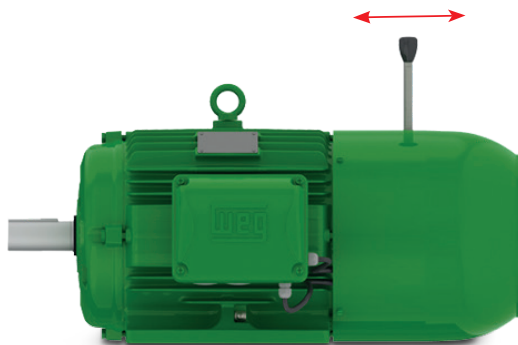


Figure 5 – Detail of the manual release lever.

Note: Under normal operating conditions, the lever cannot be activated.

Microswitch

From frame 100L up, the motors can be supplied with a monitoring sensor of the opening (I/O) or wear of the brake.

- Monitoring of the opening: ensures that the motor will not start if the brake is actuated (it prevents motor starts with the shaft locked);
- Monitoring of the wear: indicates the right moment to adjust or replace the brake lining.

How to choose a W22 Brake Motor

The W22 Brake Motor is a motor for quite specific applications that demand high safety and accuracy. Therefore, it is extremely important to take into account some criteria when choosing such equipment.

Basic data to make the best choice:

Determine the motor and the brake: the first step is to define the environment in which the equipment will be used so as to select the motor with the best electromechanical characteristics for the application. The type of brake must also be checked, informing the power supply and the required braking torque.

Define the ambient temperature: taking into account the ambient temperature at which the motor will operate, we can determine the minimum ideal cooling system for the brake operation, according to Table 3.

Ambient temperature	Minimum cooling system of the motor
Up to 40 °C	No ventilation / W-Easy Maintenance
41 °C to 50 °C	Self-Ventilated / Air Over
51 °C to 60 °C	Blower cooled
61 °C to 70 °C	Blower cooled*

Table 3 - Definition of the cooling system according to the motor ambient temperature.

* For this condition, please contact WEG.

For other cooling system configurations, contact WEG.

Specify the degree of protection: the enclosures of electrical equipment, according to the characteristics and access conditions of the installation environment, must offer a certain degree of protection. Thus, equipment to be installed in a place subject to water jets, for example, must have an enclosure capable of withstanding such jets under certain pressures and angles of incidence without water ingress. Table 4 indicates the minimum cooling system necessary to ensure the degree of protection.

Degree of protection	Minimum cooling system of the motor
IP55	<ul style="list-style-type: none"> ■ No ventilation / Air Over (with fan cover) ■ Self-ventilated ■ With or without release lever
IP56 / IP65 / IP66	<ul style="list-style-type: none"> ■ Self-ventilated with brake protection cover ■ Without release lever ■ W-Easy Maintenance ■ With or without release lever

Table 4 - Degrees of protection and minimum cooling systems of the motor.

For other configurations, contact WEG.

Define the braking torque.

The W22 brake motor line offers up to two torques per frame:

- Rated torque: standard torque supplied;
- Optional torque: used in load lifting applications, or where, due to the high load torque and/or inertia of the system, it is necessary the use of greater braking torques.

Available braking torques (Mk): The braking torque must be equal to or greater than the motor rated torque. Table 5 contains the main characteristics of the brakes, using the speed of 100 rpm as reference.

Frame	Torque at 100 rpm [Nm]	Maximum working speed [rpm]	Maximum dissipated energy Q _e [J]	Brake response time t ₁₂ [s]	
63	4	6.000	3.000	0,015	
71	8	5.000	7.500	0,017	
80					
90	16	4.000	12.000	0,020	
100	32	3.600	24.000	0,030	
112	60		30.000		
132	80		36.000		
160	150		60.000		0,043
180	260		80.000		0,100
200	400	3.000	120.000	0,120	
225	530			0,135	
250	800				
250	-	2.300	300.000	0,133	

Table 5 - Characteristics of the brake according to the size and torque at 100 rpm.

Caution: The nominal torque of the electromagnetic brake is only reached after short period of operation after proper seating of the brake disc. The resulting friction coefficient of the brake disc may vary due to its manufacturing and assembly process, resulting in a variation of the specified brake torque, especially when a new brake disk is installed. This variation has been already considered when the brake is specified however, requires again the user's attention in the first operation of a new brake set + motor. A reduction of the brake torque can also occur after long periods without brake operation caused due to the presence of moisture and / or variation of the ambient temperature.

Safety factor (k): For regular applications, WEG recommends the use of the safety factor "k" of 1.5 to 2 times the torque value. For special applications, such as lifting, it is recommended a safety factor "k" of 2 to 3 times the rated torque.

Check the brake power supply: The W22 brake motor can be supplied with full, half wave or special bridge rectifiers, as shown in Table 6.

Rated voltage V _{RMS} [Vca]	Brake size	Brake coil voltage [Vcc]	Wave form
110	6 to 25	103	Full
220-240		205	
380-415		180	Half wave
440-480		205	
525-575		250	
220-240	25	205/103	Special = Full / Half wave
400-415	31	360/180	

Tabela 6 - Bridge rectifier types.

Calculations for special applications

Calculation of the required torque for load lifting.

For vertical applications, the braking torque must be obtained by means of the required torque calculation (M_{req}), which is given by the following expression:

$$M_{req} = k * \left(\frac{J_L * \Delta no}{9.55 * \left(\frac{t_3 - t_{12}}{2} \right)} + M_L \right)$$

Where:

M_{req}: required torque [Nm];
 "k": safety factor that must be added due to the uncertainties of the speed at the brake, maximum torque, maximum load inertia, among other variables.

J_L: total inertia on the rotor shaft = load inertia + system inertia + motor inertia [kgm²];

Δno: speed [rpm];

t₃: required braking time [s];

t₁₂: brake response time [s].

Calculation of the required torque for application in translational motion of overhead cranes.

For horizontal applications, the braking torque must also be obtained by means of the required torque calculation (M_{req}), which is given by the following expression:

$$M_{req} = \left(\frac{k * J_L * \Delta no}{9,55 * \left(\frac{t_3 - t_{12}}{2} \right)} \right)$$

Correction of the torque due to the speed at the moment of the brake (M_R):

in cases of emergency stops (at working speed) or in motors without frequency inverter, the motor rated speed is considered the braking speed. Thus, the braking torque must be corrected as indicated in Table 7.

Brake size	Torque correction at speed (rpm) [%]							
	750	900	1000	1200	1500	1800	3000	3600
06	93,5	92	91	89,5	87	85	80	78,5
08	92,5	91	89,7	87,7	85	83	78	76,5
10	91,5	89,5	88,2	86	83	81	76	74,7
12	90,5	88,2	87	84,2	81	78,8	74	72,2
14	90	87,5	86	83,5	80	77,7	73	71,5
16	89,5	87	85,5	82,5	79	76,5	72	70,2
18	88	85,7	84	80,7	77	74,5	70	68
20	87	84,5	82,5	79	75	72,2	68	66,2
25	86	83	81	77,5	73	70,1	66	-
31	82	79	77	73	69	65	-	-

Table 7 - Torque correction.

For brakes with frequency inverter, it is necessary to know the speed at which the brake will be performed, and the braking torque must be corrected if necessary.

$$M_R = \frac{M_{req} * 100}{\text{correction} (\%)}$$

Finally, it must be checked if the corrected required torque is equal to or smaller than the torque of the selected brake. If it is bigger, it will be necessary to increase the torque of the brake.

$$M_K \geq M_R$$

Check the cooling of the brake:

after selecting the brake, it is necessary to check if the cooling will meet the start duty cycle of the application. The cooling can be obtained through the following equation:

$$Q = \frac{J_L * \Delta n \omega^2}{182.5} * \frac{M_K}{M_K - M_L}$$

Where:

- Q: dissipated heat [J];
- M_K: brake torque [Nm];
- M_L: load torque [Nm].

With the result found, the value of “Q” must be positioned on the axis of ordinates and the number of starts per hour on the axis of abscissa, and then we should observe if the point is below the curve of the selected brake. If it is below the curve, it indicates that the brake is thermally able to brake the load. Otherwise, the size of the brake must be increased so as to improve the cooling.

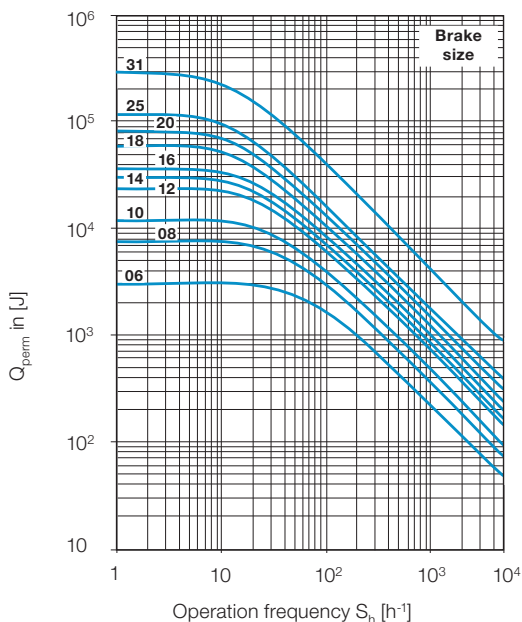


Figure 6 – Cooling curve (Q) according to starts per hour.

Brake power supply. When the brake coil is powered by a bridge rectifier, its input terminals must be supplied with alternate voltage. The relations between the motor voltage, the type of bridge rectifier and the brake coil power supply must be in accordance with Table 8.

Motor power supply (connection) [VAC]	Power supply of the brake bridge rectifier [VAC]	Brake type		Supply of the bridge rectifier through the motor electrical connections (IEC-NBR / NEMA)				
		Normal	Fast	Terminal 1 (**)	Terminal 2 (**)			
					3-wire motor	6-wire motor	9-wire motor	12-wire motor
220/230/240 (T)	220/230/240	Figure 3	Figure 4	U1 / T1	W1 / T3	W1 / T3	W1 / T3	W1 / T3
380/400/415 (Y)					NA	W2 / T6	NA	W4 / T12
380/400/415 (T)	380/400/415				W1 / T3	W1 / T3	W1 / T3	W1 / T3
440/460 (Y)	NA				NA	NA	NA	NA
440/460 (T)	440/460				W1 / T3	W1 / T3	W1 / T3	W1 / T3
525/550/575 (Y)	NA				NA	NA	NA	NA
525/550/575 (T)	525/550/575				W1 / T3	W1 / T3	W1 / T3	W1 / T3

Table 8 - Power supply of the bridge rectifier through the motor terminals.

T = Delta connection Y = Star connection NA = Not available

* The bridge rectifier can be directly supplied by the motor cables or independently, at the customer's discretion.

** Terminal markings are only valid for single speed motors.

Note: besides the previous options, the electromagnetic brake with 24-Vdc coil is also available. In this case, only the brake is included (bridge rectifier not supplied) and the brake coil must be powered by an independent source.

Electric Data

W22 Brake Motor - Premium Efficiency - IE3

Output		Frame	Full Load Torque (Nm)	Locked Rotor Current II/In	Locked Rotor Torque TI/Tn	Break-down Torque Tb/Tn	Inertia J (kgm ²)	Allowable locked rotor time (s)		Weight (kg)	Sound dB(A)	400 V (50 Hz)								380 V (50 Hz)							
								Hot	Cold			Rated speed (rpm)	% of full load						Full load current In (A)	Rated speed (rpm)	% of full load						Full load current In (A)
													Efficiency			Power Factor					Efficiency			Power Factor			
													50	75	100	50	75	100			50	75	100	50	75	100	
II Poles																											
0,12	0,16	63	0,410	5,4	3,1	3,3	0,0001	30	66	6,9	52,0	2820	58,0	60,8	60,8	0,54	0,67	0,76	0,375	2795	59,0	60,8	60,8	0,58	0,71	0,79	0,380
0,18	0,25	63	0,600	5,2	3,0	3,2	0,0002	22	48	8,0	52,0	2860	61,0	65,9	65,9	0,53	0,65	0,74	0,533	2835	62,6	65,9	65,9	0,57	0,70	0,79	0,525
0,25	0,33	63	0,850	5,5	3,8	3,3	0,0002	28	62	7,9	52,0	2805	63,0	68,0	69,7	0,54	0,68	0,77	0,672	2780	64,6	68,7	69,7	0,59	0,72	0,80	0,681
0,37	0,5	71	1,25	6,0	2,5	2,5	0,0004	12	26	10,5	56,0	2820	73,0	73,8	73,8	0,66	0,79	0,85	0,851	2795	73,6	74,3	73,8	0,71	0,82	0,87	0,876
0,55	0,75	71	1,86	5,9	2,7	2,7	0,0005	15	33	11,0	56,0	2830	75,0	76,0	77,8	0,68	0,80	0,86	1,19	2805	75,6	75,7	77,8	0,73	0,83	0,88	1,22
0,75	1	80	2,51	7,5	3,2	3,2	0,0008	18	40	14,1	59,0	2860	80,0	82,0	81,0	0,60	0,73	0,81	1,65	2840	80,0	80,5	80,7	0,65	0,77	0,84	1,68
1,1	1,5	80	3,71	7,2	4,1	3,7	0,0009	23	51	15,0	59,0	2835	81,5	83,0	83,0	0,60	0,73	0,80	2,39	2815	82,0	83,0	83,0	0,66	0,78	0,84	2,40
1,5	2	90S	4,97	7,0	2,5	3,0	0,0020	10	22	21,5	62,0	2885	82,0	83,5	84,2	0,62	0,74	0,81	3,17	2870	82,0	83,5	84,2	0,67	0,78	0,84	3,22
2,2	3	90L	7,32	7,5	3,4	3,4	0,0026	12	26	24,5	62,0	2870	85,5	86,0	86,3	0,65	0,77	0,83	4,43	2850	85,0	85,5	85,9	0,70	0,81	0,86	4,52
3	4	100L	9,88	8,0	3,1	3,6	0,0064	15	33	35,0	67,0	2900	85,0	86,5	87,1	0,69	0,81	0,86	5,78	2890	85,5	86,5	87,1	0,75	0,84	0,88	5,95
4	5,5	112M	13,2	7,7	2,5	3,5	0,0081	14	31	41,0	62,0	2900	88,0	88,4	88,4	0,69	0,80	0,86	7,59	2890	88,0	88,2	88,2	0,73	0,83	0,88	7,83
5,5	7,5	132S	17,9	7,9	2,4	3,5	0,0180	12	26	62,0	63,0	2940	86,9	88,7	89,4	0,66	0,78	0,84	10,6	2935	87,6	88,9	89,2	0,71	0,82	0,87	10,8
7,5	10	132S	24,5	8,5	2,8	3,3	0,0234	10	22	70,0	63,0	2925	88,5	89,8	90,3	0,68	0,80	0,85	14,1	2915	89,2	90,1	90,1	0,73	0,83	0,88	14,4
9,2	12,5	132M	30,1	8,5	2,8	3,1	0,0303	16	35	84,0	63,0	2925	90,4	91,1	90,7	0,75	0,84	0,88	16,6	2920	90,7	91,0	90,8	0,79	0,87	0,90	17,1
11	15	160M	35,6	8,0	2,7	3,4	0,0482	12	26	115	67,0	2955	90,3	91,4	91,4	0,70	0,80	0,85	20,4	2950	90,7	91,2	91,2	0,74	0,83	0,87	21,1
15	20	160M	48,6	8,3	2,8	3,6	0,0551	8	18	120	67,0	2950	90,9	91,8	92,0	0,67	0,79	0,85	27,7	2945	91,0	91,6	91,9	0,72	0,82	0,87	28,5
18,5	25	160L	59,8	8,5	3,1	3,7	0,0663	7	15	135	67,0	2955	91,5	92,3	92,4	0,69	0,80	0,85	34,0	2950	92,0	92,3	92,4	0,74	0,83	0,88	34,6
22	30	180M	71,0	8,3	3,2	3,2	0,0968	9	20	170	67,0	2960	92,0	92,7	92,7	0,69	0,80	0,86	39,8	2955	92,2	92,7	92,7	0,74	0,83	0,87	41,4
30	40	200L	96,5	7,8	3,3	3,2	0,1703	16	35	235	72,0	2970	92,2	93,2	93,3	0,69	0,80	0,85	54,6	2965	92,6	93,2	93,3	0,75	0,83	0,87	56,2
37	50	200L	119	7,7	3,1	3,2	0,2368	11	24	250	72,0	2970	92,6	93,4	93,8	0,69	0,79	0,84	67,8	2965	93,0	93,6	93,7	0,74	0,83	0,86	69,8
45	60	225S/M	145	7,5	2,4	3,1	0,2861	13	29	380	74,0	2960	93,5	94,0	94,0	0,76	0,84	0,87	79,4	2955	93,5	93,8	94,0	0,79	0,86	0,89	81,7
55	75	250S/M	177	8,0	2,8	3,3	0,3736	19	42	460	74,0	2965	93,3	94,0	94,4	0,75	0,83	0,86	97,8	2960	93,5	94,0	94,3	0,79	0,85	0,88	101
75	100	250S/M	242	8,5	3,0	3,2	0,5132	11	24	500	74,0	2965	94,0	94,6	94,9	0,82	0,87	0,89	128	2960	94,0	94,5	94,7	0,84	0,88	0,90	134
Optionals																											
0,25	0,33	71	0,840	5,7	2,4	2,7	0,0000	28	62	10,0	56,0	2852	69,0	69,7	69,7	0,63	0,75	0,83	0,624	2830	69,0	69,7	69,7	0,67	0,79	0,86	0,634
0,37	0,5	63	1,29	4,9	3,2	2,9	0,0000	19	42	9,0	52,0	2743	73,0	73,8	73,8	0,59	0,73	0,83	0,872	2703	73,0	73,8	73,8	0,63	0,78	0,87	0,876
0,75	1	90S	2,47	8,2	3,3	3,4	0,0015	24	53	20,0	62,0	2900	79,0	82,5	81,5	0,63	0,75	0,82	1,62	2885	79,5	82,5	81,0	0,68	0,78	0,84	1,67
1,1	1,5	90S	3,65	7,8	3,3	3,3	0,0018	19	42	21,0	62,0	2880	82,0	84,2	83,5	0,63	0,75	0,82	2,32	2865	82,6	84,2	84,0	0,68	0,79	0,84	2,37
1,5	2	90L	4,97	7,0	2,5	3,0	0,0020	10	22	21,5	62,0	2885	82,0	83,5	84,2	0,62	0,74	0,81	3,17	2870	82,0	83,5	84,2	0,67	0,78	0,84	3,22
1,5	2	L90S	4,97	7,0	2,5	3,0	0,0020	10	22	21,5	62,0	2885	82,0	83,5	84,2	0,62	0,74	0,81	3,17	2870	82,0	83,5	84,2	0,67	0,78	0,84	3,22
2,2	3	100L	7,22	8,5	3,2	3,3	0,0059	22	48	31,0	67,0	2910	85,0	86,6	86,6	0,71	0,82	0,87	4,21	2900	85,4	86,5	86,5	0,75	0,84	0,89	4,36
2,2	3	L90L	7,25	7,5	3,0	3,4	0,0026	12	26	24,5	62,0	2900	85,0	86,0	86,3	0,61	0,75	0,82	4,49	2885	85,0	85,5	85,9	0,67	0,79	0,84	4,63
2,2	3	L100L	7,22	8,5	3,2	3,3	0,0059	22	48	31,0	67,0	2910	85,0	86,6	86,6	0,71	0,82	0,87	4,21	2900	85,4	86,5	86,5	0,75	0,84	0,89	4,36
3	4	L100L	9,83	8,0	2,7	3,6	0,0064	15	33	35,0	67,0	2915	85,0	86,5	87,1	0,69	0,81	0,86	5,78	2910	85,5	86,5	87,1	0,75	0,84	0,88	5,95
4	5,5	132S	13,0	7,9	2,5	3,1	0,0180	24	53	61,0	63,0	2945	86,9	88,7	88,6	0,73	0,82	0,87	7,49	2935	87,1	88,6	88,7	0,76	0,85	0,89	7,70
5,5	7,5	132M	17,9	7,9	2,4	3,5	0,0180	12	26	62,0	63,0	2940	86,9	88,7	89,4	0,66	0,78	0,84	10,6	2935	87,6	88,9	89,2	0,71	0,82	0,87	10,8
7,5	10	132M	24,5	8,5	2,8	3,3	0,0234	10	22	70,0	63,0	2925	88,5	89,8	90,3	0,68	0,80	0,85	14,1	2915	89,2	90,1	90,1	0,73	0,83	0,88	14,4
11	15	132M	35,9	8,2	2,7	3,0	0,0303	11	24	84,0	63,0	2925	90,6	91,1	91,2	0,75	0,85	0,89	19,6	2915	90,9	91,0	91,2	0,80	0,87	0,90	20,4
11	15	160L	35,6	8,0	2,7	3,4	0,0482	12	26	115	67,0	2955	90,3	91,4	91,4	0,70	0,80	0,85	20,4	2950	90,7	91,2	91,2	0,74	0,83	0,87	21,1
15	20	160L	48,6	8,3	2,8	3,6	0,0551	8	18	120	67,0	2950	90,9	91,8	92,0	0,67	0,79	0,85	27,7	2945	91,0	91,6	91,9	0,72	0,82	0,87	28,5
18,5	25	180M	59,7	7,6	3,0	3,1	0,0973	11	24	170	67,0	2960	91,5	92,0	92,6	0,75	0,83	0,87	33,1	2955	92,0	92,6	92,4	0,78	0,85	0,88	34,6
22	30	180L	71,0	8,3	3,2	3,2	0,0968	9	20	170	67,0	2960	92,0	92,7	92,7	0,69	0,80	0,86	39,8	2955	92,2	92,7	92,7	0,74	0,83	0,87	41,4

Output		415 V (50 Hz)									440 V (60Hz)						460 V (60Hz)								
		Rated speed (rpm)	% of full load						Full load current In (A)	Rated speed (rpm)	% of full load						Full load current In (A)	Rated speed (rpm)	% of full load						Full load current In (A)
			Efficiency			Power Factor					Efficiency			Power Factor					Efficiency			Power Factor			
kW	HP	50	75	100	50	75	100	50	75	100	50	75	100	50	75	100	50	75	100	50	75	100	50	75	100
0,12	0,16	2835	57,0	60,8	60,8	0,51	0,64	0,73	0,376	3385	58,0	62,0	62,0	0,61	0,72	0,80	0,370	3405	57,3	62,0	62,0	0,57	0,69	0,77	0,368
0,18	0,25	2870	59,6	65,2	65,9	0,49	0,62	0,71	0,535	3435	61,8	65,6	65,6	0,60	0,73	0,82	0,512	3440	60,9	65,6	65,6	0,57	0,69	0,78	0,515
0,25	0,33	2820	61,5	67,2	69,7	0,51	0,64	0,74	0,674	3375	64,5	69,1	69,5	0,61	0,73	0,81	0,676	3395	63,5	68,7	69,5	0,57	0,70	0,79	0,663
0,37	0,5	2825	72,4	73,8	73,8	0,63	0,76	0,83	0,840	3380	72,9	73,4	73,4	0,71	0,82	0,87	0,863	3395	72,5	73,4	73,4	0,68	0,79	0,85	0,845
0,55	0,75	2845	74,4	76,0	77,8	0,64	0,77	0,84	1,17	3405	75,4	76,5	76,6	0,70	0,81	0,88	1,21	3425	74,9	76,6	77,2	0,67	0,79	0,86	1,17
0,75	1	2870	79,1	81,0	81,1	0,56	0,70	0,79	1,63	3445	80,5	81,0	81,5	0,66	0,77	0,84	1,63	3460	79,8	81,5	81,8	0,62	0,74	0,82	1,59
1,1	1,5	2850	80,0	83,0	83,4	0,56	0,69	0,78	2,35	3410	82,2	84,0	84,0	0,68	0,79	0,85	2,39	3425	81,5	84,1	84,3	0,63	0,76	0,83	2,33
1,5	2	2895	81,5	83,5	84,2	0,57	0,70	0,78	3,18	3460	83,0	84,0	84,0	0,71	0,80	0,85	3,31	3475	82,0	84,0	84,0	0,67	0,77	0,83	3,24
2,2	3	2880	85,3	86,4	86,5	0,60	0,73	0,81	4,37	3445	86,0	86,0	86,4	0,72	0,82	0,86	4,59	3460	86,2	86,9	86,9	0,68	0,79	0,85	4,42
3	4	2905	84,5	86,5	87,2	0,66	0,78	0,84	5,70	3480	85,7	87,4	87,2	0,78	0,85	0,89	6,09	3490	85,4	87,4	87,5	0,74	0,83	0,88	5,87
4	5,5	2910	87,5	88,0	88,4	0,65	0,77	0,84	7,49	3485	88,7	89,4	89,5	0,76	0,85	0,89	7,91	3495	88,3	89,4	89,5	0,73	0,83	0,87	7,74
5,5	7,5	2945	86,1	88,3	89,2	0,61	0,74	0,81	10,6	3530	86,4	88,4	88,6	0,74	0,83	0,87	10,7	3540	85,9	88,2	88,7	0,69	0,80	0,85	10,5
7,5	10	2930	87,9	89,7	90,3	0,63	0,76	0,83	13,9	3510	88,2	89,8	89,8	0,75	0,84	0,88	14,1	3520	87,8	89,7	90,0	0,71	0,81	0,86	13,8
9,2	12,5	2930	90,1	91,0	91,3	0,71	0,82	0,87	16,1	3520	90,4	91,0	91,1	0,80	0,87	0,90	16,8	3525	90,1	91,1	91,4	0,77	0,85	0,89	16,2
11	15	2955	89,9	91,3	91,4	0,65	0,77	0,83	20,2	3550	89,7	91,0	91,0	0,75	0,84	0,87	20,7	3555	89,4	91,0	91,2	0,72	0,81	0,86	20,0
15	20	2955	90,3	91,6	91,9	0,63	0,76	0,82	27,7	3545	90,7	91,8	91,7	0,74	0,83	0,87	28,0	3550	90,4	91,7	91,9	0,70	0,80	0,85	27,3
18,5	25	2960	91,0	92,2	92,4	0,64	0,77	0,83	33,6	3550	91,6	92,5	92,3	0,75	0,84	0,88	33,9	3555	91,2	92,4	92,5	0,71	0,81	0,86	33,1
22	30	2965	91,5	92,5	92,7	0,66	0,78	0,84	39,3	3555	92,4	93,0	92,8	0,75	0,84	0,88	40,2	3560	92,1	93,0	92,9	0,72	0,82	0,86	39,3
30	40	2975	91,8	93,0	93,3	0,64	0,77	0,83	53,9	3565	92,0	93,0	93,0	0,77	0,84	0,87	58,4	3565	91,8	93,0	93,1	0,74	0,83	0,86	56,4
37	50	2970	92,0	93,2	93,7	0,63	0,76	0,82	67,0	3565	92,4	93,3	93,6	0,75	0,83	0,86	68,5	3570	92,1	93,2	93,6	0,72	0,81	0,85	66,3
45	60	2965	93,5	94,0	94,0	0,73	0,82	0,86	77,4	3555	93,0	93,6	93,6	0,81	0,87	0,89	83,5	3560	93,0	93,6	93,6	0,78	0,85	0,88	80,8
55	75	2965	93,1	94,0	94,4	0,72	0,81	0,85	95,4	3560	92,9	93,6	93,6	0,79	0,86	0,88	100	3565	92,8	93,6	93,6	0,77	0,84	0,87	97,1
75	100	2965	94,0	94,7	94,9	0,80	0,86	0,88	125	3560	94,3	95,0	95,0	0,86	0,88	0,90	130	3560	94,5	95,0	95,0	0,83	0,88	0,89	126

Optionals

0,25	0,33	2863	69,0	69,7	69,7	0,59	0,72	0,81	0,616	3425	69,0	69,5	69,5	0,66	0,78	0,85	0,644	3441	69,0	69,5	69,5	0,63	0,75	0,83	0,631
0,37	0,5	2764	72,4	73,8	73,8	0,55	0,70	0,81	0,861	3312	73,0	73,4	73,4	0,64	0,77	0,86	0,873	3344	73,0	73,4	73,4	0,60	0,74	0,83	0,865
0,75	1	2910	78,4	82,3	81,5	0,60	0,72	0,79	1,62	3485	77,8	81,6	80,8	0,69	0,79	0,84	1,64	3495	77,4	81,6	80,8	0,66	0,76	0,82	1,61
1,1	1,5	2890	81,4	84,0	84,7	0,59	0,72	0,80	2,26	3460	82,0	84,1	84,3	0,70	0,80	0,85	2,38	3470	81,7	84,2	84,8	0,67	0,78	0,83	2,32
1,5	2	2895	81,5	83,5	84,2	0,57	0,70	0,78	3,18	3460	83,0	84,0	84,0	0,71	0,80	0,85	3,31	3475	82,0	84,0	84,0	0,67	0,77	0,83	3,24
1,5	2	2895	81,5	83,5	84,2	0,57	0,70	0,78	3,18	3460	83,0	84,0	84,0	0,71	0,80	0,85	3,31	3475	82,0	84,0	84,0	0,67	0,77	0,83	3,24
2,2	3	2915	84,7	86,5	86,8	0,68	0,80	0,86	4,10	3495	84,6	86,2	86,3	0,77	0,85	0,89	4,44	3505	84,4	86,3	86,6	0,74	0,84	0,88	4,28
2,2	3	2905	84,0	86,3	86,0	0,57	0,71	0,79	4,50	3475	86,0	86,0	86,2	0,70	0,80	0,85	4,66	3490	85,3	86,9	86,3	0,65	0,77	0,83	4,56
2,2	3	2915	84,7	86,5	86,8	0,68	0,80	0,86	4,10	3495	84,6	86,2	86,3	0,77	0,85	0,89	4,44	3505	84,4	86,3	86,6	0,74	0,84	0,88	4,28
3	4	2925	84,5	86,5	87,2	0,66	0,78	0,84	5,70	3500	85,7	87,4	87,2	0,78	0,85	0,89	6,09	3510	85,4	87,4	87,5	0,74	0,83	0,88	5,87
4	5,5	2950	86,6	88,6	89,2	0,69	0,80	0,86	7,25	3530	86,4	88,4	88,6	0,79	0,86	0,89	7,99	3540	86,2	88,3	88,9	0,76	0,84	0,88	7,70
5,5	7,5	2945	86,1	88,3	89,2	0,61	0,74	0,81	10,6	3530	86,4	88,4	88,6	0,74	0,83	0,87	10,7	3540	85,9	88,2	88,7	0,69	0,80	0,85	10,5
7,5	10	2930	87,9	89,7	90,3	0,63	0,76	0,83	13,9	3510	88,2	89,8	89,8	0,75	0,84	0,88	14,1	3520	87,8	89,7	90,0	0,71	0,81	0,86	13,8
11	15	2930	90,2	91,1	91,4	0,72	0,82	0,87	19,2	3515	90,7	91,2	91,3	0,81	0,88	0,90	20,0	3525	90,4	91,3	91,6	0,78	0,86	0,89	19,2
11	15	2955	89,9	91,3	91,4	0,65	0,77	0,83	20,2	3550	89,7	91,0	91,0	0,75	0,84	0,87	20,7	3555	89,4	91,0	91,2	0,72	0,81	0,86	20,0
15	20	2955	90,3	91,6	91,9	0,63	0,76	0,82	27,7	3545	90,7	91,8	91,7	0,74	0,83	0,87	28,0	3550	90,4	91,7	91,9	0,70	0,80	0,85	27,3
18,5	25	2965	91,0	92,7	92,5	0,72	0,81	0,86	32,4	3555	92,1	92,6	92,1	0,79	0,86	0,88	34,0	3560	92,1	92,7	92,4	0,76	0,84	0,87	32,8
22	30	2965	91,5	92,5	92,7	0,66	0,78	0,84	39,3	3555	92,4	93,0	92,8	0,75	0,84	0,88	40,2	3560	92,1	93,0	92,9	0,72	0,82	0,86	39,3

W22 Brake Motor - Premium Efficiency - IE3

Output		Frame	Full Load Torque (Nm)	Locked Rotor Current II/In	Locked Rotor Torque TI/Tn	Break-down Torque Tb/Tn	Inertia J (kgm ²)	Allowable locked rotor time (s)		Weight (kg)	Sound dB(A)	400 V (50 Hz)										380 V (50 Hz)									
								Hot	Cold			Rated speed (rpm)	% of full load						Full load current In (A)	Rated speed (rpm)	% of full load						Full load current In (A)				
													Efficiency			Power Factor					Efficiency			Power Factor							
KW	HP											50	75	100	50	75	100				50	75	100	50	75	100					
IV Poles																															
0,12	0,16	63	0,820	4,4	2,3	2,3	0,0004	30	66	5,2	44,0	1395	57,0	63,0	64,8	0,52	0,62	0,73	0,366	1380	58,6	64,0	64,8	0,56	0,69	0,76	0,370				
0,18	0,25	63	1,25	4,6	2,2	2,2	0,0006	30	66	7,2	44,0	1380	65,0	67,0	69,9	0,53	0,63	0,72	0,516	1365	65,0	67,0	69,9	0,57	0,67	0,75	0,522				
0,25	0,33	71	1,69	4,8	2,4	2,4	0,0009	30	66	8,0	43,0	1410	69,0	72,0	73,5	0,52	0,62	0,72	0,682	1400	67,0	69,1	73,5	0,56	0,67	0,75	0,689				
0,37	0,5	71	2,55	4,8	2,8	2,7	0,0008	30	66	9,5	43,0	1385	73,0	75,0	77,3	0,50	0,62	0,70	0,987	1370	73,0	75,0	77,3	0,53	0,64	0,72	1,01				
0,55	0,75	80	3,69	6,6	2,7	3,0	0,0027	20	44	12,5	44,0	1425	77,0	79,0	80,8	0,61	0,74	0,80	1,23	1415	78,0	79,1	80,8	0,65	0,77	0,83	1,25				
0,75	1	90S	4,93	7,8	2,7	3,3	0,0049	24	53	18,5	49,0	1455	82,5	84,0	84,5	0,54	0,68	0,76	1,69	1450	83,2	84,1	84,0	0,59	0,72	0,79	1,72				
1,1	1,5	90L	7,27	7,0	2,3	2,7	0,0055	15	33	19,5	49,0	1445	83,0	84,5	84,5	0,59	0,72	0,80	2,35	1435	84,0	84,7	84,3	0,64	0,76	0,83	2,39				
1,5	2	100L	9,95	7,7	3,1	3,4	0,0082	25	55	30,0	53,0	1440	85,5	86,0	86,0	0,61	0,73	0,80	3,15	1430	85,5	86,0	86,0	0,65	0,77	0,83	3,19				
2,2	3	112M	14,5	7,3	2,3	3,0	0,0143	31	68	41,0	56,0	1455	87,5	88,2	88,2	0,60	0,73	0,80	4,50	1450	87,9	88,1	87,6	0,64	0,76	0,82	4,65				
3	4	112M	19,8	7,0	2,3	2,9	0,0169	25	55	43,0	56,0	1450	87,0	88,0	88,0	0,62	0,74	0,81	6,07	1445	87,5	87,7	87,7	0,66	0,77	0,83	6,26				
4	5,5	112M	26,4	7,0	2,6	3,1	0,0180	15	33	44,0	56,0	1450	88,7	89,1	88,8	0,59	0,71	0,78	8,34	1445	88,9	89,0	88,6	0,64	0,75	0,81	8,47				
5,5	7,5	132S	35,9	8,3	2,3	3,3	0,0491	12	26	66,0	56,0	1465	89,0	89,6	89,7	0,66	0,78	0,84	10,5	1460	89,0	89,6	89,6	0,71	0,81	0,86	10,8				
7,5	10	132M	49,1	8,3	2,4	3,5	0,0563	7	15	74,0	56,0	1460	90,5	90,8	90,6	0,63	0,76	0,84	14,2	1460	90,0	90,2	90,4	0,66	0,79	0,86	14,7				
9,2	12,5	160M	59,8	7,2	2,5	3,0	0,1118	16	35	109	61,0	1470	90,0	91,4	91,3	0,66	0,77	0,83	17,5	1465	92,2	92,3	91,4	0,70	0,81	0,85	18,0				
11	15	160M	71,0	7,0	2,7	3,0	0,1191	13	29	113	61,0	1480	90,7	91,6	91,4	0,65	0,77	0,83	20,9	1475	91,4	91,4	91,4	0,69	0,80	0,85	21,5				
15	20	160L	97,5	7,0	2,7	3,0	0,1534	14	31	140	61,0	1470	92,0	92,5	92,3	0,66	0,77	0,83	28,3	1465	92,1	92,4	92,1	0,70	0,80	0,85	29,1				
18,5	25	180M	120	7,5	3,0	3,2	0,1740	13	29	188	61,0	1470	91,8	92,6	92,6	0,64	0,76	0,82	35,2	1470	92,2	92,6	92,6	0,69	0,79	0,84	36,1				
22	30	180L	143	7,3	3,4	3,4	0,2097	11	24	185	61,0	1470	92,3	93,0	93,2	0,66	0,77	0,83	41,0	1470	92,5	92,8	93,0	0,70	0,81	0,85	42,3				
30	40	200L	194	7,5	2,8	3,1	0,3202	12	26	228	63,0	1480	92,9	93,6	93,7	0,63	0,75	0,81	57,1	1475	93,4	93,6	93,6	0,68	0,79	0,84	58,0				
37	50	225S/M	239	7,7	2,8	3,3	0,5177	13	29	365	63,0	1480	93,4	94,0	94,1	0,65	0,76	0,82	69,2	1478	93,7	93,9	93,9	0,69	0,79	0,84	71,3				
45	60	225S/M	291	7,5	2,8	3,1	0,6733	17	37	400	63,0	1480	93,7	94,1	94,4	0,68	0,78	0,83	82,9	1475	93,8	94,0	94,2	0,72	0,81	0,85	85,4				
55	75	250S/M	355	7,5	2,7	3,0	1,05	14	31	500	64,0	1480	94,3	94,6	94,6	0,69	0,80	0,85	98,7	1477	94,5	94,6	94,6	0,73	0,82	0,86	103				
75	100	250S/M	484	8,0	2,8	3,0	1,22	8	18	530	64,0	1480	94,5	94,8	95,0	0,73	0,83	0,87	131	1478	94,5	94,8	95,0	0,77	0,86	0,88	136				
Optionals																															
0,75	1	80	4,99	7,0	3,4	3,5	0,0032	18	40	14,5	44,0	1435	78,0	81,0	82,5	0,54	0,68	0,78	1,68	1430	79,0	81,5	82,5	0,59	0,73	0,82	1,68				
1,1	1,5	90S	7,27	7,0	2,3	2,7	0,0055	15	33	19,5	49,0	1445	83,0	84,5	84,5	0,59	0,72	0,80	2,35	1435	84,0	84,7	84,3	0,64	0,76	0,83	2,39				
1,1	1,5	L90S	7,27	7,0	2,3	2,7	0,0055	15	33	19,5	49,0	1445	83,0	84,5	84,5	0,59	0,72	0,80	2,35	1435	84,0	84,7	84,3	0,64	0,76	0,83	2,39				
1,5	2	90L	9,88	7,4	2,9	3,2	0,0066	13	29	23,0	49,0	1450	84,0	85,0	85,3	0,55	0,68	0,76	3,34	1445	85,0	85,3	85,3	0,59	0,72	0,79	3,38				
1,5	2	L90L	9,88	7,4	2,9	3,2	0,0066	13	29	23,0	49,0	1450	84,0	85,0	85,3	0,55	0,68	0,76	3,34	1445	85,0	85,3	85,3	0,59	0,72	0,79	3,38				
2,2	3	100L	14,7	7,8	3,5	3,4	0,0090	18	40	31,5	53,0	1435	86,5	87,0	87,0	0,59	0,72	0,79	4,62	1430	87,2	87,1	86,7	0,62	0,75	0,81	4,76				
5,5	7,5	132M	35,9	8,3	2,3	3,3	0,0491	12	26	66,0	56,0	1465	89,0	89,6	89,7	0,66	0,78	0,84	10,5	1460	89,0	89,6	89,6	0,71	0,81	0,86	10,8				
9,2	12,5	132M/L	60,0	8,6	2,8	3,5	0,0698	10	22	82,0	56,0	1465	90,3	91,0	91,0	0,64	0,76	0,82	17,8	1460	91,0	91,1	91,0	0,69	0,80	0,85	18,1				
11	15	160L	71,0	7,0	2,7	3,0	0,1191	13	29	113	61,0	1480	90,7	91,6	91,4	0,65	0,77	0,83	20,9	1475	91,4	91,4	91,4	0,69	0,80	0,85	21,5				
15	20	180M	97,5	7,5	2,8	3,0	0,1570	23	51	155	61,0	1470	91,9	92,5	92,3	0,66	0,77	0,83	28,3	1470	92,6	92,9	92,3	0,70	0,80	0,85	29,0				
18,5	25	180L	120	7,5	3,0	3,2	0,1740	13	29	188	61,0	1470	91,8	92,6	92,6	0,64	0,76	0,82	35,2	1470	92,2	92,6	92,6	0,69	0,79	0,84	36,1				
37	50	200L	239	7,5	2,9	3,0	0,3994	14	31	284	63,0	1478	93,1	93,6	94,1	0,64	0,76	0,82	69,2	1475	92,9	93,4	93,9	0,69	0,79	0,84	71,3				

Output		415 V (50 Hz)								440 V (60Hz)								460 V (60Hz)							
		Rated speed (rpm)	% of full load						Full load current In (A)	Rated speed (rpm)	% of full load						Full load current In (A)	Rated speed (rpm)	% of full load						Full load current In (A)
			Efficiency			Power Factor					Efficiency			Power Factor					Efficiency			Power Factor			
kW	HP	50	75	100	50	75	100	50	75	100	50	75	100	50	75	100	50	75	100	50	75	100	50	75	100

IV Poles

0,12	0,16	1405	55,6	63,0	64,8	0,50	0,62	0,72	0,358	1675	59,3	66,0	67,5	0,57	0,68	0,76	0,358	1690	58,3	66,0	67,5	0,54	0,64	0,73	0,357
0,18	0,25	1395	65,0	67,0	69,9	0,50	0,61	0,70	0,512	1665	65,0	67,0	68,0	0,57	0,66	0,74	0,548	1680	65,0	67,0	68,0	0,53	0,63	0,72	0,538
0,25	0,33	1420	65,1	68,6	73,5	0,50	0,62	0,69	0,686	1690	67,2	70,0	73,4	0,56	0,65	0,73	0,710	1705	66,5	69,7	73,4	0,50	0,62	0,70	0,708
0,37	0,5	1395	73,0	75,0	77,3	0,47	0,59	0,68	0,979	1670	75,0	76,0	78,2	0,55	0,66	0,73	0,965	1685	70,0	75,0	78,2	0,50	0,63	0,69	0,977
0,55	0,75	1430	76,0	78,9	80,8	0,57	0,71	0,77	1,23	1720	78,1	79,9	80,4	0,66	0,77	0,82	1,23	1725	77,1	79,8	81,0	0,61	0,74	0,79	1,22
0,75	1	1460	81,8	83,8	84,6	0,50	0,65	0,74	1,67	1750	83,1	84,5	84,9	0,60	0,72	0,79	1,66	1755	82,5	84,4	85,2	0,56	0,69	0,77	1,63
1,1	1,5	1450	82,0	84,1	84,8	0,55	0,69	0,77	2,34	1735	84,5	85,4	85,3	0,66	0,78	0,83	2,41	1740	83,9	85,4	85,6	0,62	0,75	0,81	2,35
1,5	2	1445	85,5	86,0	86,0	0,58	0,71	0,78	3,11	1725	86,8	87,4	87,1	0,67	0,78	0,83	3,27	1735	86,4	87,5	87,6	0,64	0,76	0,82	3,15
2,2	3	1460	87,2	88,2	88,5	0,57	0,70	0,78	4,43	1745	88,2	88,6	88,4	0,65	0,76	0,82	4,71	1750	87,9	88,7	88,8	0,62	0,73	0,80	4,59
3	4	1455	86,5	88,0	88,1	0,59	0,71	0,79	6,00	1740	88,0	88,5	88,0	0,69	0,79	0,84	6,39	1745	88,0	88,5	88,5	0,65	0,76	0,82	6,23
4	5,5	1455	88,0	88,9	88,9	0,56	0,69	0,75	8,35	1735	89,8	89,6	89,0	0,63	0,75	0,81	8,74	1745	89,5	89,4	89,0	0,59	0,72	0,79	8,57
5,5	7,5	1470	89,4	89,6	89,8	0,63	0,75	0,82	10,4	1760	90,2	90,2	90,2	0,72	0,81	0,86	10,7	1765	90,2	90,2	90,2	0,69	0,79	0,85	10,3
7,5	10	1465	89,2	90,3	90,4	0,60	0,73	0,83	13,9	1760	91,0	91,3	90,6	0,69	0,79	0,86	14,3	1765	90,0	90,6	90,9	0,67	0,77	0,85	13,8
9,2	12,5	1470	91,6	92,3	92,0	0,64	0,76	0,82	17,0	1765	92,0	92,2	92,4	0,71	0,81	0,85	17,5	1770	92,1	92,3	92,4	0,68	0,79	0,84	17,0
11	15	1480	90,6	91,4	91,4	0,61	0,74	0,81	20,7	1775	91,0	91,7	91,7	0,70	0,80	0,85	21,0	1775	91,0	91,7	91,7	0,67	0,78	0,83	20,6
15	20	1475	91,4	92,3	92,1	0,62	0,75	0,81	28,0	1770	92,7	93,0	92,4	0,70	0,80	0,85	28,4	1770	92,4	93,0	92,4	0,67	0,78	0,83	27,8
18,5	25	1475	91,8	92,6	92,6	0,61	0,73	0,80	34,7	1765	92,2	92,8	92,8	0,70	0,80	0,84	35,3	1770	92,4	92,8	92,9	0,66	0,78	0,83	34,2
22	30	1475	91,9	92,8	93,0	0,62	0,74	0,81	40,6	1770	92,9	93,4	93,1	0,71	0,81	0,85	41,5	1770	92,6	93,4	93,2	0,68	0,79	0,84	40,1
30	40	1480	92,3	93,3	93,6	0,59	0,72	0,79	56,4	1775	93,6	94,0	93,6	0,71	0,81	0,85	59,4	1777	93,2	93,9	93,7	0,67	0,78	0,83	58,1
37	50	1482	93,1	93,9	93,9	0,61	0,73	0,80	68,5	1778	93,4	94,0	94,5	0,70	0,80	0,84	69,4	1780	93,1	94,0	94,5	0,67	0,77	0,82	68,0
45	60	1480	93,5	94,1	94,4	0,66	0,77	0,82	80,9	1775	93,6	93,8	93,8	0,74	0,82	0,86	86,2	1778	93,5	94,0	94,0	0,71	0,80	0,85	83,3
55	75	1482	94,0	94,6	94,6	0,66	0,78	0,83	97,5	1777	94,1	94,5	95,0	0,74	0,83	0,86	101	1780	94,1	94,5	95,0	0,71	0,81	0,85	97,9
75	100	1482	94,7	95,0	95,2	0,70	0,81	0,86	127	1778	95,2	95,2	95,3	0,77	0,84	0,87	135	1780	95,2	95,2	95,5	0,74	0,83	0,86	130

Optionals

0,75	1	1440	77,0	81,0	82,5	0,50	0,65	0,76	1,66	1730	81,1	82,9	83,3	0,60	0,73	0,82	1,63	1735	80,4	82,8	83,3	0,56	0,70	0,79	1,62
1,1	1,5	1450	82,0	84,1	84,8	0,55	0,69	0,77	2,34	1735	84,5	85,4	85,3	0,66	0,78	0,83	2,41	1740	83,9	85,4	85,6	0,62	0,75	0,81	2,35
1,1	1,5	1450	82,0	84,1	84,8	0,55	0,69	0,77	2,34	1735	84,5	85,4	85,3	0,66	0,78	0,83	2,41	1740	83,9	85,4	85,6	0,62	0,75	0,81	2,35
1,5	2	1455	83,1	85,0	85,3	0,50	0,63	0,73	3,35	1740	85,5	86,5	86,5	0,62	0,74	0,81	3,37	1745	84,0	86,5	86,5	0,58	0,71	0,78	3,35
1,5	2	1455	83,1	85,0	85,3	0,50	0,63	0,73	3,35	1740	85,5	86,5	86,5	0,62	0,74	0,81	3,37	1745	84,0	86,5	86,5	0,58	0,71	0,78	3,35
2,2	3	1440	85,7	86,8	87,2	0,55	0,68	0,77	4,56	1725	87,6	87,7	87,4	0,65	0,76	0,82	4,76	1730	87,2	87,8	87,9	0,61	0,73	0,80	4,64
5,5	7,5	1470	89,4	89,6	89,8	0,63	0,75	0,82	10,4	1760	90,2	90,2	90,2	0,72	0,81	0,86	10,7	1765	90,2	90,2	90,2	0,69	0,79	0,85	10,3
9,2	12,5	1470	89,5	90,6	91,0	0,60	0,73	0,80	17,6	1760	91,3	91,7	91,5	0,71	0,81	0,85	17,7	1765	90,8	91,5	91,6	0,67	0,78	0,83	17,3
11	15	1480	90,6	91,4	91,4	0,61	0,74	0,81	20,7	1775	91,0	91,7	91,7	0,70	0,80	0,85	21,0	1775	91,0	91,7	91,7	0,67	0,78	0,83	20,6
15	20	1475	92,0	92,8	92,6	0,63	0,75	0,81	27,8	1770	92,5	93,1	92,7	0,71	0,81	0,85	28,3	1770	92,3	93,1	92,9	0,66	0,78	0,83	27,7
18,5	25	1475	91,8	92,6	92,6	0,61	0,73	0,80	34,7	1765	92,2	92,8	92,8	0,70	0,80	0,84	35,3	1770	92,4	92,8	92,9	0,66	0,78	0,83	34,2
37	50	1480	93,0	93,5	94,0	0,60	0,73	0,80	68,5	1775	94,0	94,5	95,0	0,70	0,80	0,85	68,2	1780	94,0	94,5	95,0	0,66	0,78	0,83	66,9

W22 Brake Motor - Premium Efficiency - IE3

Output		Frame	Full Load Torque (Nm)	Locked Rotor Current I _L /I _n	Locked Rotor Torque T _L /T _n	Break-down Torque T _b /T _n	Inertia J (kgm ²)	Allowable locked rotor time (s)		Weight (kg)	Sound dB(A)	400 V (50 Hz)										380 V (50 Hz)									
								Hot	Cold			Rated speed (rpm)	% of full load						Full load current I _n (A)	Rated speed (rpm)	% of full load						Full load current I _n (A)				
													Efficiency			Power Factor					Efficiency			Power Factor							
KW	HP											50	75	100	50	75	100	50	75	100	50	75	100	50	75	100					
VI Poles																															
0,12	0,16	63	1,24	3,2	2,1	2,0	0,0007	59	130	7,7	43,0	925	50,0	55,0	57,7	0,40	0,50	0,59	0,509	920	48,7	54,7	57,7	0,40	0,53	0,63	0,502				
0,18	0,25	71	1,91	3,2	2,0	2,1	0,0009	30	66	11,5	43,0	900	56,0	62,0	63,9	0,38	0,48	0,57	0,713	885	57,7	62,8	63,9	0,43	0,55	0,64	0,669				
0,25	0,33	80	2,50	4,3	2,0	2,4	0,0029	25	55	12,0	43,0	955	63,6	68,5	68,8	0,47	0,60	0,69	0,760	950	65,9	68,0	68,6	0,51	0,64	0,73	0,758				
0,37	0,5	80	3,82	4,2	2,1	2,1	0,0025	25	55	12,5	43,0	925	66,0	69,5	73,5	0,51	0,65	0,75	0,969	915	67,6	69,9	73,5	0,55	0,69	0,79	0,968				
0,55	0,75	90S	5,47	5,5	2,3	2,8	0,0055	35	77	19,0	45,0	960	77,0	77,2	77,5	0,48	0,62	0,71	1,44	950	76,0	77,0	77,2	0,52	0,66	0,74	1,46				
0,75	1	90L	7,54	5,2	2,5	2,6	0,0060	31	68	22,0	45,0	950	76,5	79,0	79,0	0,49	0,62	0,71	1,93	945	77,5	79,2	78,9	0,53	0,66	0,74	1,95				
1,1	1,5	100L	11,1	4,9	2,2	2,4	0,0110	32	70	28,5	44,0	945	80,5	81,0	81,0	0,51	0,65	0,73	2,69	940	80,8	80,9	81,0	0,55	0,68	0,75	2,75				
1,5	2	100L	15,0	5,5	2,7	2,7	0,0143	31	68	32,0	44,0	955	81,5	82,5	82,5	0,49	0,62	0,71	3,70	950	82,3	82,6	82,5	0,53	0,66	0,74	3,73				
2,2	3	112M	21,9	6,5	2,7	2,7	0,0257	26	57	46,0	49,0	960	83,0	84,5	84,5	0,48	0,61	0,71	5,29	955	83,6	84,4	84,3	0,52	0,65	0,73	5,43				
3	4	132S	29,6	6,1	1,9	2,4	0,0416	40	88	65,0	53,0	970	85,0	85,6	85,6	0,53	0,66	0,73	6,93	965	85,0	85,6	85,6	0,57	0,69	0,76	7,01				
4	5,5	132M	39,6	6,5	2,1	2,6	0,0492	20	44	70,0	53,0	965	86,0	86,8	86,8	0,53	0,66	0,73	9,11	960	86,3	86,8	86,8	0,57	0,70	0,76	9,21				
5,5	7,5	132M/L	54,2	7,3	2,6	2,8	0,0755	26	57	78,0	53,0	970	86,5	88,0	88,0	0,50	0,64	0,70	12,9	965	87,4	88,3	88,0	0,55	0,68	0,75	12,7				
7,5	10	160M	73,5	6,3	2,2	2,5	0,1404	16	35	118	57,0	975	88,5	89,3	89,1	0,62	0,74	0,80	15,2	970	88,9	89,0	89,1	0,65	0,77	0,82	15,6				
9,2	12,5	160L	90,2	6,5	2,3	2,9	0,1756	18	40	135	57,0	975	90,0	90,6	90,0	0,64	0,75	0,81	18,2	970	89,5	90,0	90,0	0,68	0,78	0,83	18,7				
11	15	160L	107	7,1	2,8	3,0	0,1931	12	26	140	57,0	978	89,0	90,1	90,5	0,56	0,70	0,77	22,8	975	89,7	90,3	90,3	0,60	0,73	0,80	23,1				
15	20	180L	147	8,2	2,8	3,2	0,2970	8	18	185	56,0	977	91,5	91,5	91,4	0,65	0,77	0,84	28,2	975	90,7	91,0	91,2	0,68	0,80	0,86	29,1				
18,5	25	200L	180	6,3	2,4	2,8	0,3510	16	35	215	60,0	980	91,0	91,7	91,9	0,63	0,75	0,81	35,9	980	91,0	91,7	91,7	0,68	0,78	0,83	36,9				
22	30	200L	215	6,4	2,4	2,8	0,4212	15	33	225	60,0	980	91,4	92,0	92,4	0,64	0,76	0,81	42,4	980	92,0	92,2	92,2	0,69	0,79	0,84	43,2				
30	40	225S/M	291	7,0	2,3	2,6	0,8194	25	55	380	63,0	985	93,0	93,4	93,1	0,67	0,78	0,83	56,0	980	93,3	93,3	92,9	0,71	0,80	0,85	57,7				
37	50	250S/M	359	7,2	2,5	2,7	1,24	20	44	430	64,0	985	93,3	93,5	93,5	0,70	0,80	0,85	67,2	980	93,3	93,3	93,3	0,73	0,82	0,86	70,1				
45	60	250S/M	437	8,0	2,8	2,8	1,43	18	40	490	64,0	985	92,4	93,9	93,9	0,76	0,84	0,87	79,5	983	92,9	93,9	93,8	0,80	0,86	0,88	82,8				
Optionals																															
0,55	0,75	L90S	5,47	5,5	2,3	2,8	0,0055	35	77	19,0	45,0	960	77,0	77,2	77,5	0,48	0,62	0,71	1,44	950	76,0	77,0	77,2	0,52	0,66	0,74	1,46				
1,5	2	112M	14,9	6,7	2,8	3,0	0,0202	28	62	42,0	49,0	965	84,5	85,5	85,5	0,51	0,62	0,70	3,62	960	85,1	85,4	84,9	0,54	0,65	0,72	3,73				
3	4	132M	29,6	6,1	1,9	2,4	0,0416	40	88	65,0	53,0	970	85,0	85,6	85,6	0,53	0,66	0,73	6,93	965	85,0	85,6	85,6	0,57	0,69	0,76	7,01				
5,5	7,5	160M	53,8	6,5	2,4	2,9	0,1229	31	68	112	57,0	977	87,5	88,0	88,0	0,58	0,71	0,79	11,4	975	87,5	88,0	88,0	0,62	0,74	0,80	11,9				

Output		415 V (50 Hz)									440 V (60Hz)						460 V (60Hz)								
		Rated speed (rpm)	% of full load						Full load current In (A)	Rated speed (rpm)	% of full load						Full load current In (A)	Rated speed (rpm)	% of full load						Full load current In (A)
			Efficiency			Power Factor					Efficiency			Power Factor					Efficiency			Power Factor			
			50	75	100	50	75	100			50	75	100	50	75	100			50	75	100	50	75	100	

VI Poles

0,12	0,16	930	47,0	55,0	57,7	0,39	0,47	0,56	0,517	1120	51,0	56,9	61,0	0,46	0,56	0,65	0,463	1125	49,1	55,9	61,0	0,44	0,54	0,61	0,472
0,18	0,25	910	54,5	61,2	63,9	0,38	0,48	0,57	0,688	1085	59,0	64,4	63,9	0,42	0,54	0,62	0,696	1095	57,7	63,9	64,2	0,40	0,51	0,59	0,696
0,25	0,33	960	61,7	68,2	68,8	0,45	0,57	0,66	0,766	1150	68,3	71,4	71,4	0,50	0,64	0,73	0,730	1155	66,6	71,0	71,4	0,47	0,60	0,70	0,728
0,37	0,5	935	64,3	68,8	73,5	0,48	0,62	0,72	0,973	1120	69,4	72,0	71,6	0,54	0,67	0,77	1,00	1130	68,1	71,7	72,1	0,51	0,64	0,74	0,988
0,55	0,75	960	77,2	77,5	77,6	0,45	0,59	0,68	1,45	1155	80,1	82,5	81,7	0,52	0,65	0,73	1,36	1160	79,1	82,1	81,7	0,49	0,62	0,71	1,34
0,75	1	955	75,3	78,6	79,1	0,46	0,59	0,69	1,91	1145	78,6	80,7	80,4	0,53	0,66	0,74	1,87	1150	77,8	80,5	80,8	0,49	0,62	0,71	1,86
1,1	1,5	950	79,9	80,9	81,5	0,48	0,62	0,70	2,68	1135	82,4	82,2	81,8	0,57	0,69	0,75	2,78	1140	81,9	82,4	82,5	0,53	0,66	0,73	2,71
1,5	2	960	80,6	82,3	82,8	0,46	0,59	0,68	3,71	1145	83,6	83,8	83,3	0,55	0,67	0,74	3,83	1150	83,1	83,9	83,9	0,51	0,64	0,72	3,74
2,2	3	965	82,3	84,3	84,7	0,45	0,58	0,69	5,24	1150	84,5	85,4	85,0	0,55	0,67	0,74	5,42	1155	84,0	85,5	85,6	0,51	0,64	0,72	5,29
3	4	975	85,2	85,8	85,6	0,49	0,63	0,71	6,87	1165	85,0	85,5	85,5	0,60	0,71	0,77	7,18	1170	85,0	86,0	86,0	0,56	0,68	0,75	7,01
4	5,5	970	85,4	86,5	86,8	0,49	0,62	0,71	9,03	1160	87,9	88,5	87,5	0,60	0,72	0,77	9,35	1165	87,3	88,4	87,8	0,56	0,68	0,75	9,15
5,5	7,5	975	85,8	87,7	88,0	0,47	0,60	0,67	13,0	1165	87,9	89,0	88,7	0,56	0,68	0,75	12,4	1170	87,3	88,9	88,9	0,52	0,65	0,73	12,2
7,5	10	975	88,0	89,0	89,1	0,58	0,71	0,79	14,8	1170	88,9	89,7	89,0	0,65	0,76	0,81	15,5	1175	88,6	89,7	89,4	0,63	0,74	0,80	14,9
9,2	12,5	975	89,6	90,0	90,0	0,61	0,73	0,79	18,0	1170	90,7	91,0	91,5	0,69	0,78	0,83	18,1	1175	90,4	91,1	91,7	0,66	0,76	0,81	17,7
11	15	980	88,3	89,8	90,5	0,53	0,67	0,74	22,9	1175	89,9	90,8	90,4	0,61	0,73	0,80	22,7	1178	89,4	90,7	90,6	0,58	0,70	0,78	22,2
15	20	980	91,3	91,6	91,6	0,62	0,75	0,82	27,8	1175	91,9	91,8	90,9	0,69	0,80	0,85	28,9	1178	91,7	92,0	91,3	0,66	0,78	0,84	27,8
18,5	25	985	90,3	91,4	91,7	0,59	0,72	0,78	36,0	1175	91,9	92,4	91,8	0,69	0,79	0,83	36,2	1180	91,4	92,2	91,9	0,65	0,76	0,82	35,0
22	30	980	90,8	91,8	92,2	0,60	0,72	0,79	42,0	1180	92,3	92,6	92,0	0,70	0,79	0,84	42,4	1180	91,8	92,5	92,2	0,66	0,77	0,82	41,5
30	40	985	92,8	93,4	93,0	0,64	0,75	0,82	54,7	1180	93,2	93,4	93,4	0,73	0,81	0,85	59,5	1185	93,1	93,5	93,5	0,70	0,79	0,84	57,5
37	50	985	93,3	93,5	93,5	0,68	0,78	0,84	65,5	1180	93,5	93,5	93,5	0,75	0,83	0,86	68,5	1185	93,3	93,6	93,6	0,72	0,81	0,85	66,3
45	60	987	91,9	93,9	93,9	0,73	0,82	0,86	77,5	1180	92,4	93,9	93,8	0,81	0,87	0,88	84,3	1185	91,9	93,9	93,9	0,78	0,85	0,87	81,4

Optionals

0,55	0,75	960	77,2	77,5	77,6	0,45	0,59	0,68	1,45	1155	80,1	82,5	81,7	0,52	0,65	0,73	1,36	1160	79,1	82,1	81,7	0,49	0,62	0,71	1,34
1,5	2	965	84,0	85,4	85,8	0,48	0,60	0,68	3,58	1155	85,6	86,1	85,8	0,57	0,67	0,73	3,77	1160	85,3	86,2	86,3	0,53	0,65	0,71	3,69
3	4	975	85,2	85,8	85,6	0,49	0,63	0,71	6,87	1165	85,0	85,5	85,5	0,60	0,71	0,77	7,18	1170	85,0	86,0	86,0	0,56	0,68	0,75	7,01
5,5	7,5	979	87,5	88,0	88,0	0,56	0,69	0,77	11,3	1175	89,0	91,0	91,0	0,62	0,74	0,80	11,4	1177	90,0	91,0	91,0	0,59	0,72	0,79	11,0

W22 Brake Motor - Premium Efficiency - IE3

Output		Frame	Full Load Torque (Nm)	Locked Rotor Current I _L /I _n	Locked Rotor Torque T _L /T _n	Break-down Torque T _b /T _n	Inertia J (kgm ²)	Allowable locked rotor time (s)		Weight (kg)	Sound dB(A)	400 V (50 Hz)										380 V (50 Hz)									
								Hot	Cold			Rated speed (rpm)	% of full load						Full load current I _n (A)	Rated speed (rpm)	% of full load						Full load current I _n (A)				
													Efficiency			Power Factor					Efficiency			Power Factor							
													50	75	100	50	75	100			50	75	100	50	75	100					
VIII Poles																															
0,12	0,16	71	1,76	2,4	1,8	1,9	0,0009	30	66	11,5	41,0	650	44,0	50,0	52,5	0,35	0,43	0,50	0,660	640	46,6	51,7	52,9	0,38	0,46	0,54	0,638				
0,18	0,25	80	2,53	3,3	2,0	2,2	0,0029	30	66	13,5	42,0	680	51,0	57,0	58,7	0,45	0,55	0,65	0,681	670	52,8	58,0	58,7	0,48	0,59	0,69	0,675				
0,25	0,33	80	3,44	3,5	2,0	2,2	0,0034	30	66	14,5	42,0	695	53,0	60,0	64,1	0,42	0,52	0,63	0,894	685	54,0	60,0	64,1	0,44	0,57	0,67	0,884				
0,37	0,5	90S	5,05	3,7	2,0	2,3	0,0055	30	66	19,0	44,0	700	61,0	66,0	69,3	0,41	0,53	0,62	1,24	690	61,0	66,0	69,3	0,44	0,56	0,66	1,23				
0,55	0,75	90L	7,56	3,8	1,9	2,2	0,0066	29	64	23,0	44,0	695	65,0	70,0	73,0	0,44	0,57	0,67	1,62	690	65,0	70,0	73,0	0,49	0,62	0,70	1,64				
0,75	1	100L	10,1	4,3	1,8	2,1	0,0127	30	66	30,5	50,0	710	72,5	75,5	75,5	0,41	0,53	0,62	2,31	705	73,9	76,1	75,1	0,44	0,57	0,64	2,37				
1,1	1,5	100L	14,8	4,6	1,9	2,0	0,0143	30	66	33,0	50,0	710	73,0	76,0	77,7	0,41	0,53	0,62	3,30	700	74,9	76,8	77,7	0,45	0,58	0,66	3,26				
1,5	2	112M	20,3	5,0	2,5	2,8	0,0238	28	62	43,0	46,0	705	79,0	79,5	79,9	0,45	0,59	0,68	3,98	700	79,0	79,5	79,7	0,49	0,63	0,71	4,03				
2,2	3	132S	29,6	6,5	2,3	2,8	0,0690	27	59	69,0	48,0	710	81,5	82,0	82,1	0,51	0,65	0,72	5,37	705	81,5	81,9	81,9	0,57	0,68	0,75	5,44				
3	4	132M	40,1	6,5	2,4	2,6	0,0838	21	46	75,0	48,0	715	82,5	83,5	83,5	0,51	0,64	0,72	7,20	710	83,4	83,5	83,5	0,56	0,68	0,75	7,28				
4	5,5	160M	52,4	5,0	2,1	2,3	0,1229	34	75	114	51,0	730	85,0	86,0	86,0	0,47	0,61	0,68	9,87	725	85,6	86,8	86,1	0,51	0,64	0,70	10,1				
5,5	7,5	160M	72,5	5,0	2,1	2,3	0,1492	28	62	123	51,0	725	86,0	87,3	87,3	0,52	0,65	0,73	12,5	720	86,7	87,3	87,2	0,56	0,68	0,76	12,6				
7,5	10	160L	98,0	5,5	2,2	2,5	0,2199	22	48	145	51,0	731	86,5	88,0	88,4	0,46	0,59	0,68	18,0	728	87,0	88,0	88,3	0,50	0,63	0,71	18,2				
9,2	12,5	180M	121	6,0	2,0	2,6	0,2575	15	33	173	52,0	725	89,0	89,3	89,6	0,63	0,75	0,80	18,5	720	88,5	89,0	89,0	0,67	0,78	0,82	19,2				
11	15	180L	144	6,5	2,3	2,7	0,2846	12	26	185	52,0	730	88,7	89,2	89,7	0,55	0,68	0,76	23,3	725	88,5	89,0	89,5	0,59	0,71	0,77	24,3				
15	20	200L	196	4,9	1,8	2,0	0,4571	33	73	220	56,0	730	89,8	89,9	90,0	0,56	0,68	0,74	32,5	730	89,4	89,5	89,6	0,60	0,71	0,76	33,5				
18,5	25	225S/M	241	6,5	1,7	2,5	0,8219	28	62	377	56,0	735	89,8	90,3	90,3	0,63	0,75	0,81	36,5	730	89,8	90,1	90,1	0,67	0,78	0,83	37,6				
22	30	225S/M	286	7,0	2,1	2,7	0,9574	20	44	402	56,0	735	90,3	90,8	90,8	0,61	0,73	0,79	44,3	730	90,3	90,6	90,6	0,65	0,76	0,81	45,5				
30	40	250S/M	393	7,4	1,9	2,8	1,43	18	40	490	56,0	730	91,0	91,5	91,5	0,66	0,77	0,83	57,0	725	91,0	91,3	91,3	0,70	0,80	0,85	58,7				
37	50	250S/M	484	8,0	2,3	3,0	1,61	12	26	550	56,0	730	91,5	92,0	92,0	0,60	0,72	0,79	73,5	730	91,5	91,8	91,8	0,64	0,75	0,81	75,6				
Optionals																															
0,37	0,5	L90S	5,05	3,7	2,0	2,3	0,0055	30	66	19,0	44,0	700	61,0	66,0	69,3	0,41	0,53	0,62	1,24	690	61,0	66,0	69,3	0,44	0,56	0,66	1,23				
0,55	0,75	L90L	7,56	3,8	1,9	2,2	0,0066	29	64	23,0	44,0	695	65,0	70,0	73,0	0,44	0,57	0,67	1,62	690	65,0	70,0	73,0	0,49	0,62	0,70	1,64				

Output		415 V (50 Hz)									440 V (60Hz)						460 V (60Hz)											
		Rated speed (rpm)	% of full load						Full load current In (A)	Rated speed (rpm)	% of full load						Full load current In (A)	Rated speed (rpm)	% of full load						Full load current In (A)			
			Efficiency			Power Factor					Efficiency			Power Factor					Efficiency			Power Factor						
kW	HP	50	75	100	50	75	100	50	75	100	50	75	100	50	75	100	50	75	100	50	75	100	50	75	100	50	75	100

VIII Poles

0,12	0,16	655	41,8	48,2	51,4	0,34	0,41	0,48	0,677	780	49,0	54,1	55,5	0,37	0,45	0,53	0,625	790	47,1	52,8	55,1	0,35	0,43	0,50	0,638
0,18	0,25	685	49,3	56,0	58,7	0,43	0,53	0,62	0,688	820	55,2	60,4	61,3	0,46	0,57	0,66	0,681	825	53,8	59,6	61,3	0,44	0,54	0,63	0,682
0,25	0,33	705	56,0	62,0	64,3	0,39	0,50	0,60	0,902	845	67,5	68,0	68,5	0,43	0,55	0,65	0,855	850	67,5	68,0	68,5	0,41	0,52	0,62	0,857
0,37	0,5	710	62,0	67,0	69,5	0,38	0,50	0,59	1,26	860	70,2	71,0	72,0	0,43	0,55	0,64	1,20	860	68,3	70,5	72,0	0,40	0,52	0,61	1,20
0,55	0,75	705	65,0	70,0	73,0	0,42	0,55	0,64	1,64	845	70,0	73,0	74,0	0,48	0,61	0,69	1,59	850	70,0	73,0	74,0	0,45	0,58	0,66	1,59
0,75	1	715	71,1	74,8	75,5	0,38	0,50	0,59	2,34	855	75,3	77,5	77,0	0,44	0,57	0,65	2,23	860	74,2	77,1	77,3	0,41	0,53	0,62	2,23
1,1	1,5	710	71,1	76,0	77,7	0,38	0,50	0,59	3,34	845	77,0	78,5	77,5	0,46	0,59	0,66	3,33	850	75,6	78,1	77,9	0,43	0,55	0,64	3,27
1,5	2	710	77,9	79,7	79,9	0,42	0,56	0,65	4,02	845	81,6	82,1	81,6	0,51	0,64	0,72	4,02	850	80,9	82,1	82,2	0,48	0,61	0,70	3,93
2,2	3	715	81,0	82,0	82,2	0,48	0,62	0,70	5,32	855	83,7	83,6	83,2	0,58	0,69	0,75	5,47	860	83,2	83,7	83,9	0,54	0,66	0,73	5,33
3	4	720	81,5	83,2	83,7	0,48	0,61	0,70	7,12	850	84,5	84,7	84,0	0,58	0,70	0,76	7,40	860	83,9	84,7	84,6	0,54	0,67	0,74	7,22
4	5,5	735	84,4	86,6	86,8	0,44	0,58	0,66	9,71	875	86,6	87,8	87,2	0,53	0,66	0,71	10,2	880	86,2	87,8	87,7	0,50	0,63	0,69	9,96
5,5	7,5	730	85,2	87,0	87,8	0,49	0,62	0,71	12,3	870	87,5	88,4	88,6	0,57	0,69	0,75	12,4	875	87,0	88,3	88,9	0,53	0,66	0,73	12,2
7,5	10	732	86,0	88,0	88,5	0,44	0,56	0,65	18,1	879	88,5	89,4	89,5	0,52	0,62	0,70	17,8	881	88,0	89,3	89,5	0,50	0,60	0,69	17,3
9,2	12,5	730	88,6	89,3	90,0	0,60	0,73	0,78	18,2	870	89,7	89,8	90,1	0,67	0,78	0,82	18,6	875	89,5	90,0	90,6	0,64	0,76	0,80	18,2
11	15	731	89,0	89,5	90,0	0,52	0,65	0,74	23,0	877	90,6	90,8	90,9	0,60	0,71	0,77	23,4	880	90,2	90,8	91,3	0,56	0,69	0,76	22,6
15	20	730	89,4	90,1	90,2	0,53	0,65	0,72	32,1	880	90,8	90,9	91,0	0,61	0,71	0,76	32,3	880	90,8	90,9	91,0	0,57	0,69	0,74	31,7
18,5	25	735	89,8	90,3	90,3	0,60	0,73	0,80	35,6	880	91,4	91,7	91,7	0,67	0,78	0,83	36,2	885	91,4	91,7	91,7	0,64	0,76	0,81	35,5
22	30	735	90,3	90,8	90,8	0,57	0,70	0,77	43,8	880	91,4	91,7	91,7	0,66	0,76	0,81	44,2	885	91,4	91,7	91,7	0,62	0,74	0,79	43,3
30	40	730	91,0	91,5	91,5	0,63	0,75	0,85	53,7	875	92,1	92,4	92,4	0,72	0,81	0,85	60,1	880	92,1	92,4	92,4	0,69	0,79	0,84	58,2
37	50	735	91,5	92,0	92,0	0,57	0,70	0,77	72,7	880	92,1	92,4	92,4	0,65	0,76	0,81	73,6	880	92,1	92,4	92,4	0,61	0,73	0,80	71,3

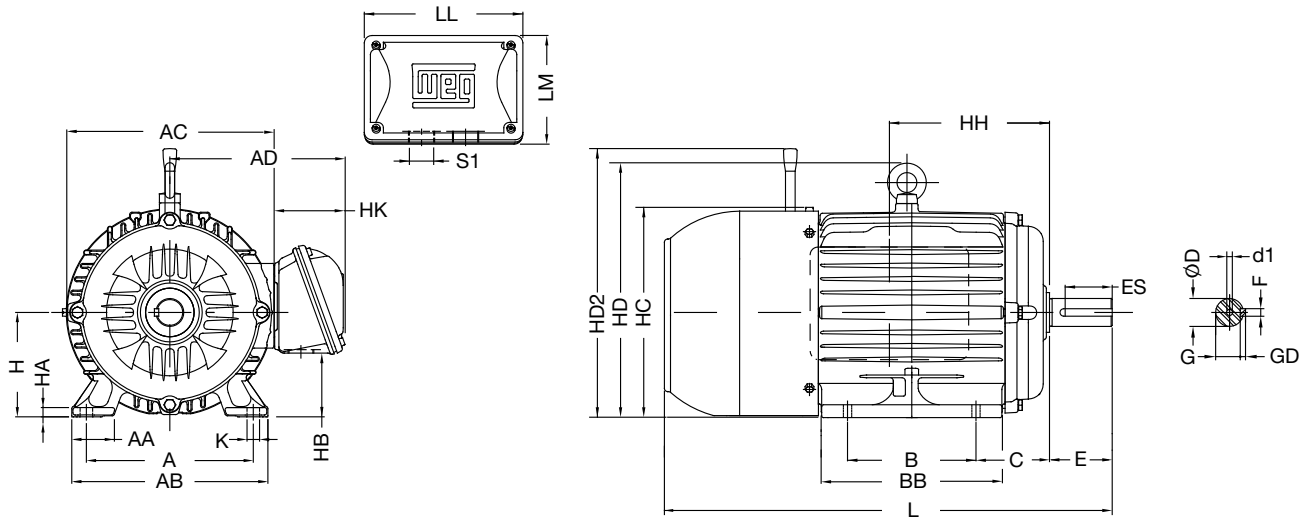
Optionals

0,37	0,5	710	62,0	67,0	69,5	0,38	0,50	0,59	1,26	860	70,2	71,0	72,0	0,43	0,55	0,64	1,20	860	68,3	70,5	72,0	0,40	0,52	0,61	1,20
0,55	0,75	705	65,0	70,0	73,0	0,42	0,55	0,64	1,64	845	70,0	73,0	74,0	0,48	0,61	0,69	1,59	850	70,0	73,0	74,0	0,45	0,58	0,66	1,59

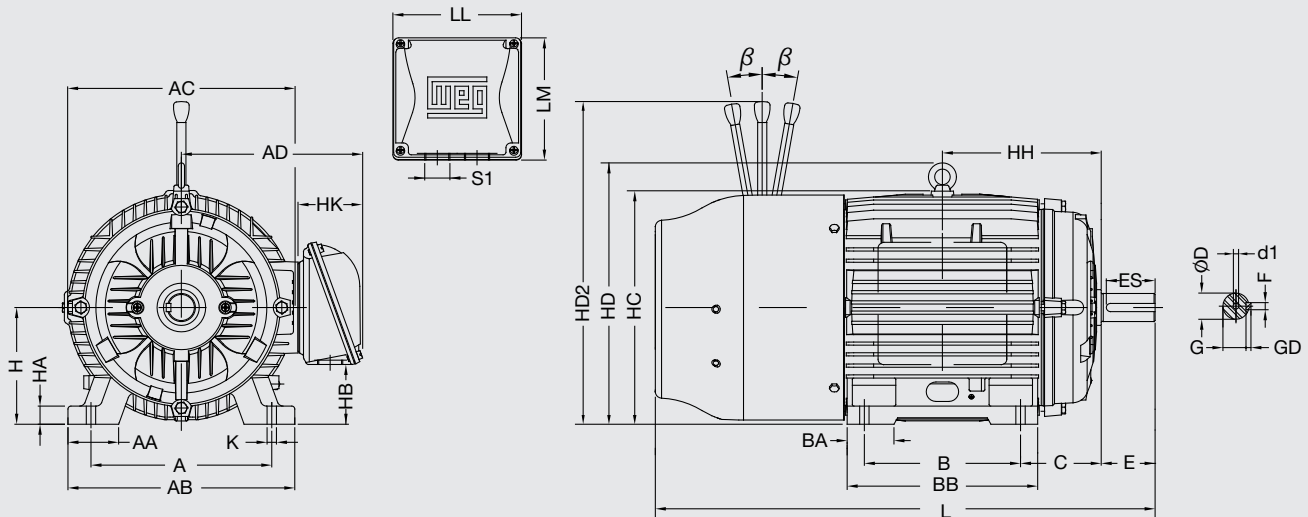
Mechanical Data

Motors with Side Mounted Terminal Box

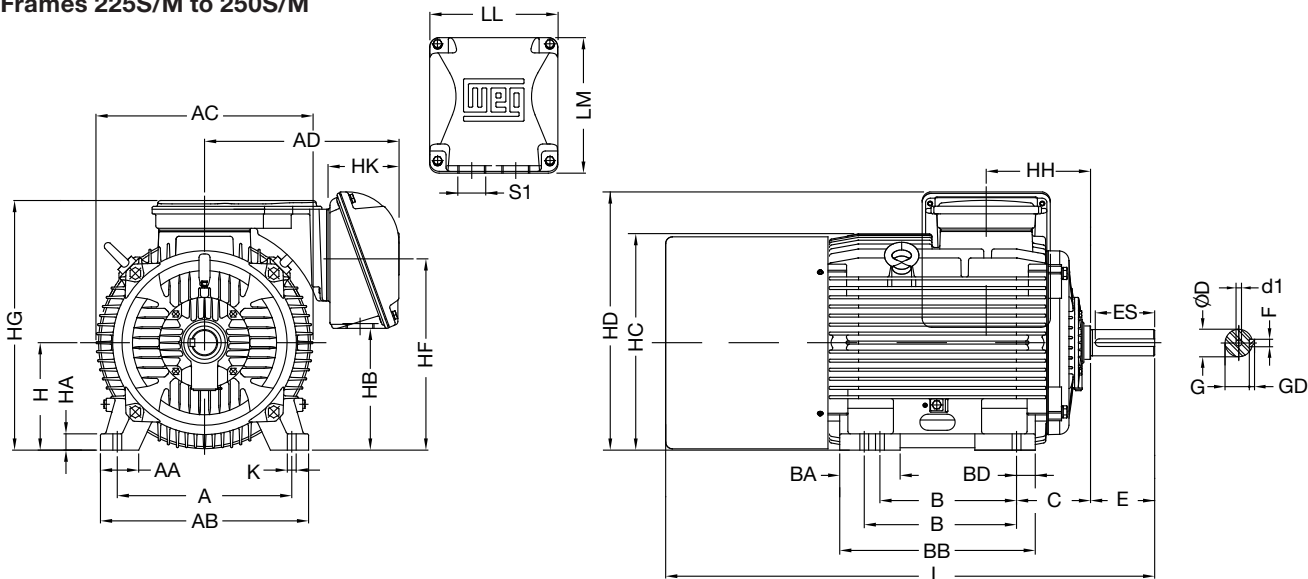
Frames 63 to 132M/L



Frames 160M to 200L



Frames 225S/M to 250S/M



Frame	Front View												Terminal Box Detail			Bearings	
	A	AA	AB	AC	AD and AD'	H	HA	HB	HK	HG	HF	K	LL	LM	S1	DE	NDE
63	100	25.5	116	125	132	63	7	23.5	69	-	-	7	150	110	M20x1,5	6201 ZZ	6201 ZZ
71	112	28.5	132	141	140	71		31								6202 ZZ	6202 ZZ
80	125	30.5	149	159	148	80		41.5								6204 ZZ	6203 ZZ
90S	140	37	164	179	157	90	9	45	69	-	-	10	150	110	M20x1,5	6205 ZZ	6204 ZZ
L90S																	
90L																	
L90L																	
100L	160	40	188	206	170	100	10	61.5	69	-	-	12	167	138	M25x1,5	6206 ZZ	6205 ZZ
L100L																	
112M	190	40.5	220	226	191	112	16	74	77	-	-	12	167	138	M25x1,5	6207 ZZ	6206 ZZ
132S																	
132M																	
132M/L	216	45.5	248	272	218	132	16	74	77	-	-	12	167	138	M25x1,5	6308 ZZ	6207 ZZ
160M																	
160L	254	44	292	329	266	160	17	79	101	-	-	14.5	198.5	190	2xM32x1,5	6309 C3	6209 C3
180M																	
180L																	
200L	318	82	385	402	319	200	30	119	119.5	-	-	18.5	230	220	2xM50x1,5	6312 C3	6212 C3
225S/M¹																	
225S/M																	
250S/M¹	356	80	436	455	410	225	34	254	153	534	421	18.5	269	285	2xM50x1,5	6314 C3	6314 C3
250S/M																	
250S/M	406	100	506	486	410	250	43	297	153	577	463	24	230	220	2xM63x1,5	6314 C3	6314 C3
250S/M																	

Frame	Left Side View											Shaft End Detail							
	B	BA	BB	BD	C	HC	HD	HD2	HH	β	L	D	d1	E	ES	F	G	GD	
63	80	-	95	-	40	130	156.3	170	80	12°	260	11j6	EM4	23	14	4	8.5	4	
71	90		113.5		45	145	163.8	207	90	10°	300	14j6	DM5	30	18	5	11	5	
80	100		125.5		50	163	174.3	215	100		335	19j6	DM6	40	28	6	15.5	6	
90S	100	-	131	-	56	182	182.4	222	106	9°	376	24j6	DM8	50	36	8	20	7	
L90S																			
90L																			
L90L																			
100L	125	-	156	-	56	182	182.4	222	118.5	9°	406	24j6	DM8	50	36	8	20	7	
L90L																			
100L	140	-	173	-	63	199	244	262	133	10°	460	28j6	DM10	60	45	24	7		
L100L																			
112M	140	-	177	-	70	226	280	306	140	9°	482	38k6	DM12	80	63	10	33	8	
132S																			
132M																			
132M/L	178/203	63	225	-	89	274	319	370	178	10°	542	38k6	DM12	80	63	10	33	8	
160M																			
160L																			
180M	210	63	254	-	108	331	380	438	213	9°	722	42k6	DM16	110	80	12	37	9	
160L																			
180M	241	-	294	-	121	366	413	498	241.5	10°	793	48k6	DM16	110	80	14	42.5	9	
180L																			
200L	279	82	332	-	133	407	464	644	285.5	10°	831	55m6	DM20	140	125	16	49	10	
200L																			
225S/M¹	286/311	124	412	41	149	453	541	-	212	-	1045	60m6	DM20	140	125	18	53	11	
225S/M																			
250S/M¹	311/349	146	467	59	168	493	583	-	214	-	1124	70m6	DM20	140	125	20	62.5	12	
250S/M																			

For WEG's worldwide
operations visit our website



www.weg.net



 +61 3 9765 4600

 info-au@weg.net

 Scoresby - Victoria - Australia

Cod: 50106985 | Rev: 00 | Date (m/a): 04/2021.

The values shown are subject to change without prior notice.

The information contained is reference values.