



ALLIED-LOCKE
INDUSTRIES

TABLE OF CONTENTS

PRECISION ROLLER CHAIN	1-34
AGRICULTURAL, STEEL PINTLE STEEL DETACHABLE CHAIN, T-BAR AND T-ROD	35-56
WELDED STEEL CHAIN AND ATTACHMENTS	57-61
STEEL BUSHED CHAIN AND ATTACHMENTS	62-67
STEEL BUSHED ROLLER CHAIN AND ATTACHMENTS	68-84
OFFSET DRIVE CHAIN.....	85-87
RIVETLESS DROP FORGED, BAR LOOP AND CASE CONVEYOR CHAIN.....	88-90
COMBINATION CHAIN AND ATTACHMENTS.....	91-96
H-CLASS MILL, REFUSE DRAG CHAIN.....	97-103
TRANSFER AND COMBINATION TRANSFER CHAIN	104-106
400 AND 700 CLASS PINTLE AND WASTEWATER COLLECTOR CHAIN	107-119
DOUBLE FLEX CHAIN	120
ELEVATOR BUCKETS	121-124
CAST MANGANESE STEEL RIVETLESS CHAIN.....	125-126
CAST AND FABRICATED STEEL AND ALLOY DRAG CHAIN.....	127-129
WASHBOX CHAIN.....	130
INDUSTRIES SERVED	131-137
SPROCKETS	138-143
INDEX.....	144-150



SERVICE & SUPPORT

WA: (08) 9303 4966 | NSW: (02) 9674 8611

chainanddrives.com.au

800-435-7752



OUR PRODUCT DIVISIONS

ALLIED-LOCKE
INDUSTRIES



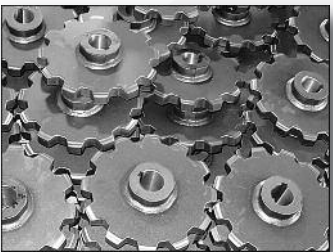
Engineering Class Chain



Agricultural Chain



Precision Roller Chain



Sprockets



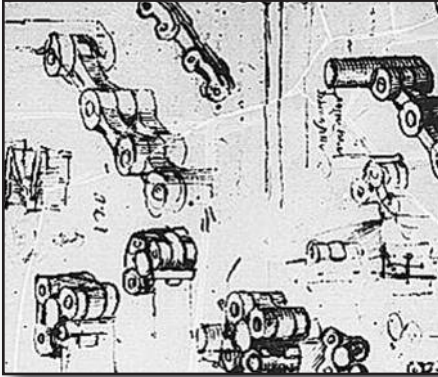
Environmental Products





ALLIED-LOCKE
INDUSTRIES

PRECISION ROLLER CHAIN



A sketch by Leonardo da Vinci in the 16th century showing a chain with a roller bearing.

Roller chain is the type of chain most commonly used for transmission of mechanical power on many kinds of domestic, industrial and agricultural machinery, including conveyors, printing presses, cars, motorcycles, and bicycles.

Roller chain sizes are determined by four primary dimensions: pitch, inside width of the roller link, roller diameter, and plate thickness. Pitch, the distance in inches between centers of adjacent flexing joints, forms the proportional basis for the remaining dimensions. Chain size is designated by the pitch dimension, and chain length is expressed in terms of pitch, or in feet and inches.

ROLLER CHAIN COMPONENTS



Pin Link



Roller Bushing press-fitted
in the inner link plate



Pin press-fitted in
the outer link plate



Roller Link



Connector Link



Offset Link



PRECISION ROLLER CHAIN

ALLIED-LOCKE
INDUSTRIES



ANSI Standard

- Manufactured to ANSI/ASME Standard B29.1
- Prestretched and manufactured with solid rollers
- Hot dipped lubrication after assembly to ensure proper coverage



Solid Bushing Solid Roller

- Dimensionally interchangeable with ANSI/ASME roller chain
- Prestretched
- Higher tensile strength than ANSI/ASME standards
- 2-3X wear life of standard chain
- Hot dipped lubrication
- Manufactured with solid bushings and solid rollers
- For applications that demand less stretch and greater wear life than standard roller chain



Super Series

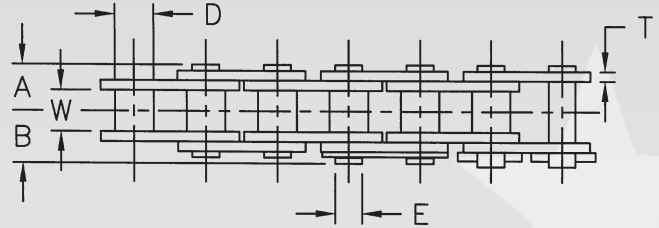
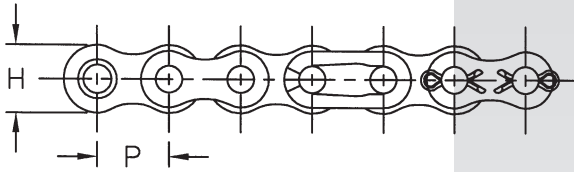
- Dimensionally interchangeable with ANSI/ASME roller chain
- Prestretched
- Wide waist designed side plates for greater fatigue resistance
- Manufactured with solid bushings, solid rollers and through hardened pins
- Greater maximum allowable load than standard roller chain



XDO®

- Dimensionally interchangeable with ANSI/ASME roller chain
- Prestretched
- Wide waist design side plates, through hardened pins, solid bushings and rollers and shot peened parts. Hot dipped lubrication
- Special riveting process to pin ends with ball drifted side plate holes for precise press fits between components
- For applications that have high speed and high shock loads present, such as mining and oilfield
- High tensile strength and greater fatigue strength than Super Series chain





ANSI Chain No.	Dimensions In Inches									
	Pitch P	Roller		Riv. End to Center Line A	Conn. End to Center Line B	Link Plate		Pin Dia. E	Avg. Ultimate Strength Lbs.	Avg. Weight Lbs./Ft.
		Width W	Dia. D			Height H	Thickness T			
25*	.250	0.125	0.130*	0.153	0.189	0.228	0.029	0.091	930	0.09
35*	.375	0.188	0.200*	0.228	0.276	0.356	0.050	0.141	2,320	0.22
40	.500	0.312	0.312	0.321	0.368	0.475	0.058	0.156	3,970	0.42
41	.500	0.250	0.306	0.261	0.314	0.390	0.050	0.141	2,760	0.28
50	.625	0.375	0.400	0.397	0.455	0.594	0.079	0.200	6,620	0.68
60	.750	0.500	0.469	0.497	0.551	0.712	0.093	0.234	9,270	0.97
80	1.000	0.625	0.625	0.645	0.724	0.950	0.125	0.312	16,540	1.71
100	1.250	0.750	0.750	0.789	0.941	1.188	0.157	0.375	25,360	2.65
120	1.500	1.000	0.875	0.983	1.219	1.425	0.189	0.437	32,640	3.79
140	1.750	1.000	1.000	1.066	1.259	1.663	0.219	0.500	45,210	4.96
160	2.000	1.250	1.125	1.282	1.469	1.901	0.255	0.563	57,780	6.32
180	2.250	1.406	1.406	1.404	1.675	2.130	0.283	0.687	80,480	9.04
200	2.500	1.500	1.562	1.580	1.764	2.376	0.312	0.782	109,150	10.31
240	3.000	1.875	1.875	1.886	2.184	2.850	0.375	0.937	152,140	16.40

*Chain is rollerless. Dimension shown is bushing diameter.

Chain sizes 40-240 have solid rollers.

Optional chain with chrome plated pins are stocked and available upon request.

WHEN ORDERING CUSTOM CHAIN

(Please Specify)

Roller Chain with Connecting Link

When the number of pitches is even, a connecting link is included.



Example: 40 Riv. x 8 links including 1 connecting link.

Roller Chain Endless

Specify number of links and "endless."



Example: 60 Riv. x 20 links riveted endless.

Roller Chain with Roller Links on Each End

When connecting links are not required, indicate roller link on end.



Example: 80 Riv. x 9 links with a roller link on each end.

Roller Chain with Connecting Links on Each End

For chain which is not used as endless, indicate the number of connecting links needed.



Example: 60 Riv. x 9 links including 2 connecting links.

Roller Chain with Offset Link

When the number of pitches is odd, an offset link is necessary.

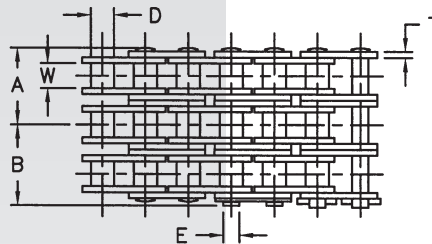
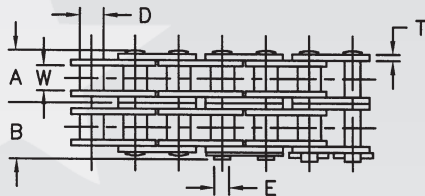
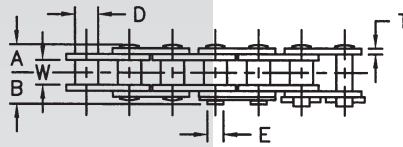
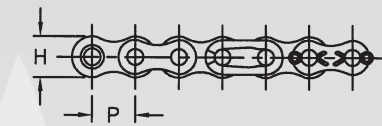


Example: 50 Riv. x 9 links including an offset link and a connecting link.



ANSI ROLLER CHAIN MULTIPLE STRAND

**ALLIED-LOCKE
INDUSTRIES**



Dimensions In Inches

ANSI Chain No.	Pitch P	Roller		Riv. End to Center Line A	Conn. End to Center Line B	Link Plate		Pin Dia. E	Avg. Ultimate Strength Lbs.	Avg. Weight Lbs./Ft.
		Width W	Dia. D			Height H	Thickness T			
		W	D			H	T			
35-2	.375	.188	.200	.438	.468	.356	.050	.141	4,640	0.42
35-3	.375	.188	.200	.631	.675	.356	.050	.141	6,950	0.63
40-2	.500	.312	.312	.606	.661	.475	.058	.156	7,500	0.82
40-3	.500	.312	.312	.888	.947	.475	.058	.156	11,250	1.22
40-4	.500	.312	.312	1.171	1.242	.475	.058	.156	15,000	1.63
50-2	.625	.375	.400	.752	.807	.594	.079	.200	13,230	1.34
50-3	.625	.375	.400	1.111	1.178	.594	.079	.200	19,850	2.00
50-4	.625	.375	.400	1.481	1.532	.594	.079	.200	26,460	2.67
60-2	.750	.500	.469	.945	1.000	.712	.093	.234	18,530	1.93
60-3	.750	.500	.469	1.397	1.452	.712	.093	.234	27,790	2.88
60-4	.750	.500	.469	1.845	1.901	.712	.093	.234	37,050	3.83
80-2	1.000	.625	.625	1.220	1.303	.950	.125	.312	33,080	3.39
80-3	1.000	.625	.625	1.791	1.882	.950	.125	.312	49,620	5.07
80-4	1.000	.625	.625	2.388	2.451	.950	.125	.312	66,150	6.76
100-2	1.250	.750	.750	1.493	1.662	1.188	.157	.375	50,720	5.28
100-3	1.250	.750	.750	2.198	2.367	1.188	.157	.375	76,080	7.90
100-4	1.250	.750	.750	2.903	3.068	1.188	.157	.375	101,430	10.52
120-2	1.500	1.000	.875	1.888	2.060	1.425	.189	.437	65,270	7.53
120-3	1.500	1.000	.875	2.773	2.969	1.425	.189	.437	97,910	11.24
120-4	1.500	1.000	.875	3.668	3.849	1.425	.189	.437	130,540	14.97
140-2	1.750	1.000	1.000	2.029	2.236	1.663	.219	.500	90,410	9.85
140-3	1.750	1.000	1.000	3.005	3.174	1.663	.219	.500	135,610	14.74
160-2	2.000	1.250	1.125	2.450	2.631	1.901	.255	.563	115,550	12.53
160-3	2.000	1.250	1.125	3.606	3.786	1.901	.255	.563	173,320	18.74
180-2	2.250	1.406	1.406	2.707	2.967	2.130	.283	.687	160,960	17.82
200-2	2.500	1.501	1.562	2.990	3.173	2.376	.312	.782	218,300	21.08
200-3	2.500	1.501	1.562	4.399	4.583	2.376	.312	.782	327,450	31.78
240-2	3.000	1.875	1.875	3.618	3.913	2.850	.375	.937	304,280	32.32
240-3	3.000	1.875	1.875	5.348	5.636	2.850	.375	.937	456,420	48.11

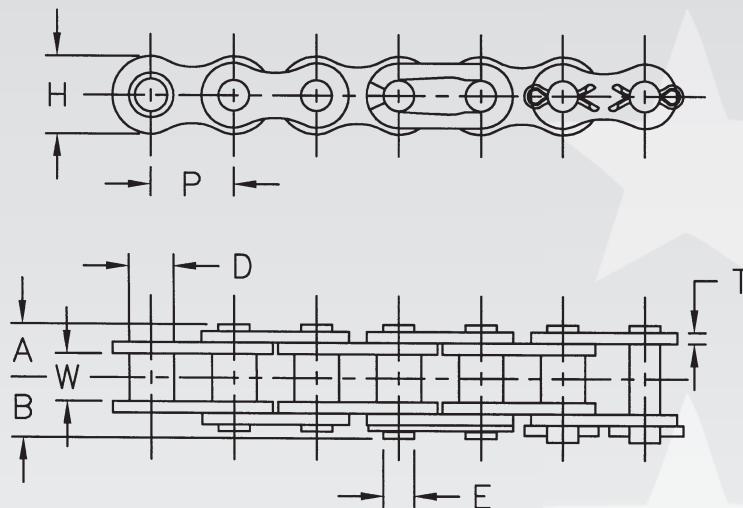
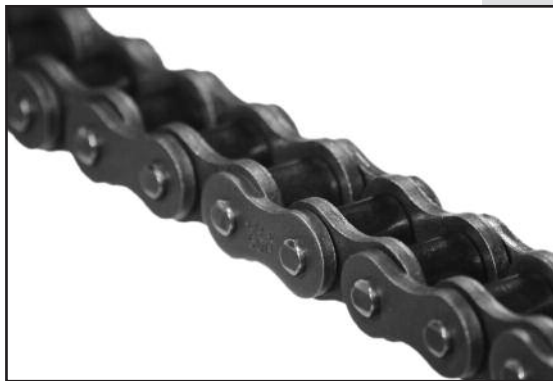
*Allied-Locke offers multiple strands through -8
Optional chain with chrome plated pins are stocked and available upon request.





**ALLIED-LOCKE
INDUSTRIES**

ANSI ROLLER CHAIN HEAVY SERIES



SINGLE STRAND				Dimensions In Inches						
ANSI Chain No.	Pitch P	Roller		Riv. End to Center Line A	Conn. End to Center Line B	Link Plate		Pin Dia. E	Avg. Ultimate Strength Lbs.	Avg. Weight Lbs./Ft.
		Width W	Dia. D			Height H	Thickness T			
50H-1	.625	.375	.400	.432	.487	.374	.093	.200	7,940	0.77
60H-1	.750	.500	.469	.570	.625	.712	.125	.234	12,130	1.16
80H-1	1.000	.625	.625	.720	.783	.950	.157	.312	19,850	2.00
100H-1	1.250	.750	.750	.845	1.002	1.188	.189	.375	30,870	3.02
120H-1	1.500	1.000	.875	1.070	1.259	1.425	.219	.437	36,390	4.21
140H-1	1.750	1.000	1.000	1.138	1.303	1.663	.250	.500	48,510	5.54
160H-1	2.000	1.250	1.125	1.337	1.514	1.901	.281	.563	60,630	7.35
200H-1	2.500	1.500	1.562	1.689	1.894	2.376	.375	.782	103,630	12.33
DOUBLE STRAND										
60H-2	.750	.500	.469	1.090	1.140	.712	.125	.234	24,260	2.31
80H-2	1.000	.625	.625	1.360	1.420	.950	.157	.312	39,690	3.97
100H-2	1.250	.750	.750	1.630	1.736	1.188	.187	.375	52,920	6.07
120H-2	1.500	1.000	.875	2.014	2.171	1.425	.219	.437	71,880	8.67
140H-2	1.750	1.000	1.000	2.163	2.343	1.663	.250	.500	94,370	11.01
160H-2	2.000	1.250	1.125	2.555	2.736	1.901	.281	.563	121,260	14.64
200H-2	2.500	1.501	1.562	3.230	3.437	2.376	.375	.782	207,260	24.51

*Allied-Locke offers Heavy Series multiple strands through -4
Optional chain with chrome plated pins are stocked and available upon request.



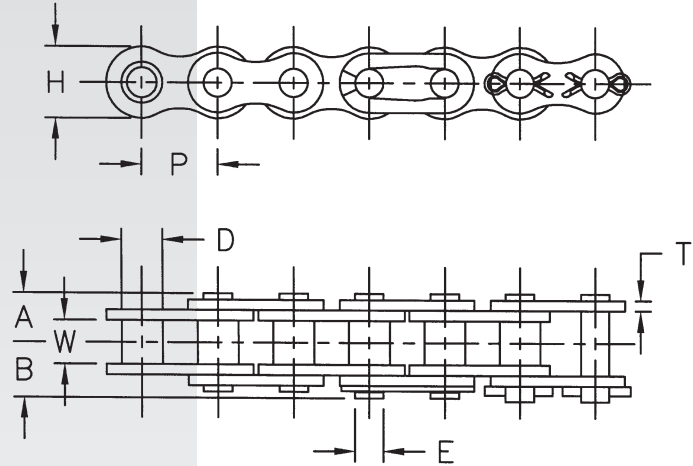
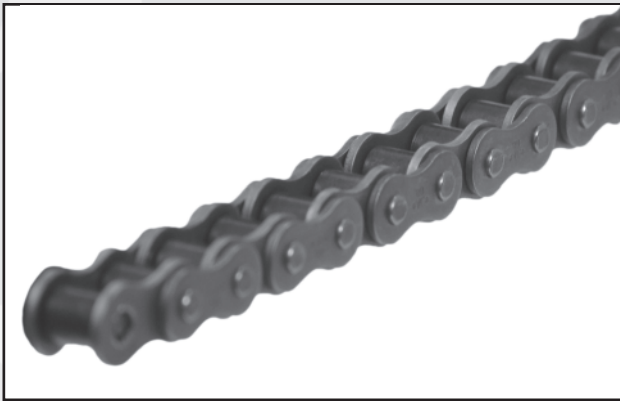
SOLID BUSHING/ SOLID ROLLER CHAIN

**ALLIED-LOCKE
INDUSTRIES**



SBSR CHAIN

Solid bushing/solid roller chain holds lubrication in with its one-piece bushings and rollers. This extends the wear life by more than 50%.



Dimensions In Inches

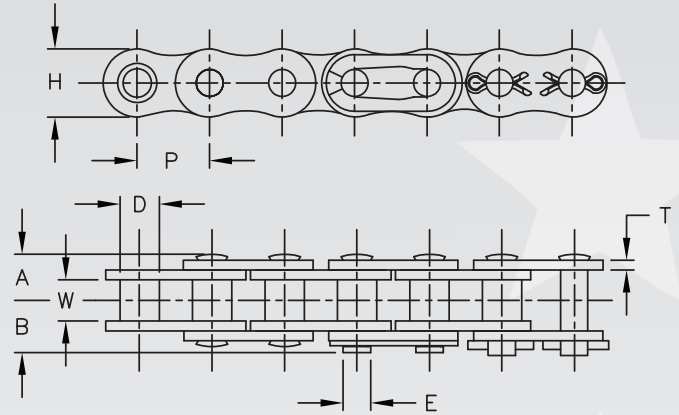
ANSI Chain No.	Pitch P	Roller		Riv. End to Center Line A	Conn. End to Center Line B	Link Plate		Pin Dia. E	Avg. Ultimate Strength Lbs.	Avg. Weight Lbs./Ft.
		Width W	Dia. D			Height H	Thickness T			
		40	.500			.312	.312			
50	.625	.375	.400	.399	.455	.594	.079	.200	6,620	0.68
60	.750	.500	.469	.497	.551	.712	.093	.234	9,270	0.97
80	1.000	.625	.625	.645	.724	.950	.125	.312	16,540	1.71
100	1.250	.750	.750	.789	.941	1.188	.157	.375	25,360	2.65
120	1.500	1.000	.875	.983	1.219	1.425	.189	.437	32,640	3.79
140	1.750	1.000	1.000	1.066	1.259	1.663	.219	.500	45,210	4.96
160	2.000	1.250	1.125	1.282	1.469	1.901	.255	.563	57,780	6.32
60H	.750	.500	.469	.570	.625	.712	.125	.234	12,130	1.16
80H	1.000	.625	.625	.720	.783	.950	.157	.312	19,850	2.00
100H	1.250	.750	.750	.845	1.002	1.188	.189	.375	30,870	3.02
40-2	.500	.312	.312	.606	.661	.475	.058	.156	7,500	0.82
50-2	.625	.375	.400	.752	.807	.594	.079	.200	13,230	1.34
60-2	.750	.500	.469	.945	1.000	.712	.093	.234	18,530	1.93
80-2	1.000	.625	.625	1.220	1.303	.950	.125	.312	33,080	3.39
C2060H	1.500	.500	.469	.570	.625	.712	.125	.234	12,130	0.95
C2080H	2.000	.625	.625	.720	.873	.950	.157	.312	19,850	1.60

* Allied-Locke offers Solid Bushing chains through 240 series and all multiple strand chain sizes as well as all extended pitch sizes.





Super series chains are designed for heavy duty applications. They are similar to our standard series of chain, but the components are specially finished and treated to increase their strength.



- Through hardened pins for more strength
- Wide waist design for greater fatigue resistance
- Ball drifted plate holes for a better press fit
- Solid bushings for enhanced wear properties

Dimensions In Inches										
Chain No.	Pitch P	Roller		Riv. End to Center Line A	Conn. End to Center Line B	Link Plate		Pin Dia. E	Avg. Ultimate Strength Lbs.	Avg. Weight Lbs./Ft.
		Width W	Dia. D			Height H	Thickness T			
40S	.500	.312	.312	.324	.406	.475	.060	.157	4,400	0.44
50S	.625	.375	.400	.400	.488	.594	.080	.200	7,000	0.73
60S	.750	.500	.469	.501	.601	.712	.094	.235	9,700	1.04
80S	1.000	.613	.625	.650	.803	.950	.125	.313	18,500	1.82
100S	1.250	.752	.750	.781	.950	1.187	.156	.376	29,300	2.76
120S	1.500	1.000	.875	1.005	1.174	1.425	.187	.437	40,500	4.03
140S	1.750	1.000	1.000	1.074	1.267	1.662	.219	.500	53,300	5.17
160S	2.000	1.250	1.125	1.290	1.459	1.900	.250	.563	69,400	6.51
180S	2.250	1.406	1.406	1.443	1.659	2.137	.281	.687	84,200	8.94
200S	2.500	1.500	1.562	1.589	1.825	2.375	.312	.781	110,200	11.42
240S	3.000	1.875	1.875	1.943	2.179	2.850	.375	.937	163,100	16.40

Also available in multiple strand configurations.



SUPER SERIES CHAIN HEAVY DUTY

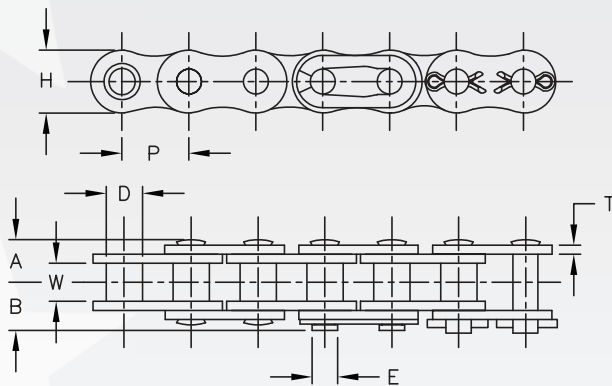
**ALLIED-LOCKE
INDUSTRIES**



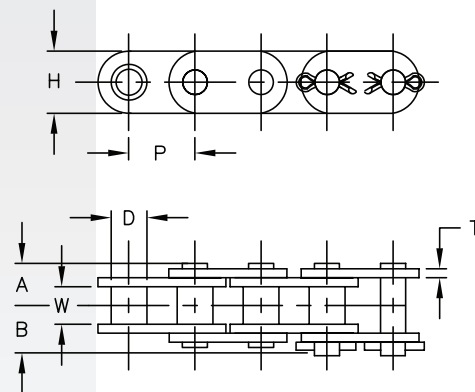
Chain No.	Dimensions In Inches									
	Pitch P	Roller		Riv. End to Center Line A	Conn. End to Center Line B	Link Plate		Pin Dia. E	Avg. Ultimate Strength Lbs.	Avg. Weight Lbs./Ft.
		Width W	Dia. D			Height H	Thickness T			
50SHD	.625	.375	.400	.435	.526	.594	.094	.200	8,800	0.79
60SHD	.750	.500	.469	.567	.665	.712	.125	.235	12,100	1.18
80SHD	1.000	.613	.625	.715	.888	.950	.156	.313	21,800	2.08
100SHD	1.250	.750	.750	.860	.998	1.187	.187	.376	30,800	3.08
120SHD	1.500	1.000	.875	1.072	1.265	1.425	.219	.437	42,100	4.49
140SHD	1.750	1.000	1.000	1.144	1.345	1.662	.250	.500	54,800	5.71
160SHD	2.000	1.250	1.125	1.339	1.546	1.900	.281	.563	71,600	7.11
180SHD	2.250	1.406	1.406	1.521	1.738	2.137	.312	.687	97,400	9.67
200SHD	2.500	1.500	1.562	1.715	1.934	2.375	.375	.781	113,700	12.95
240SHD	3.000	1.875	1.875	2.156	2.533	2.850	.500	.937	210,500	19.86

Also available in multiple strand configurations.

Standard



C-Type



SUPER-HEAVY C-TYPE - STRAIGHT SIDEBAR

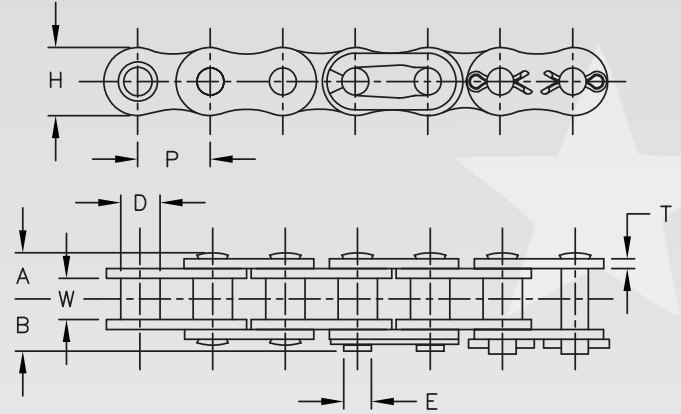
Chain No.	Dimensions In Inches									
	Pitch P	Roller		Riv. End to Center Line A	Conn. End to Center Line B	Link Plate		Pin Dia. E	Avg. Ultimate Strength Lbs.	Avg. Weight Lbs./Ft.
		Width W	Dia. D			Height H	Thickness T			
C60SHD	.750	.375	.469	.567	.665	.712	.125	.235	12,500	1.36
C80SHD	1.000	.500	.625	.715	.888	.950	.156	.313	22,400	2.17
C100SHD	1.250	.613	.750	.860	.998	1.187	.187	.376	32,600	3.21
C120SHD	1.500	.752	.875	1.072	1.265	1.425	.219	.437	44,000	4.68
C140SHD	1.750	1.000	1.000	1.144	1.345	1.662	.250	.500	57,500	5.99
C160SHD	2.000	1.000	1.125	1.339	1.546	1.900	.281	.563	72,700	7.41

Also available in multiple strand configurations.





British standard chains are available in Super, Heavy and Super Heavy series. Multiple strands are also available. Solid bushings come standard on all sizes.



Dimensions In Inches										
ANSI Chain No.	Pitch P	Bushing		Riv. End to Center Line A	Conn. End to Center Line B	Link Plate		Pin Dia. E	Avg. Ultimate Strength Lbs.	Avg. Weight Lbs./Ft.
		Width W	Dia. D			Height H	Thickness T			
08B-S	.500	.305	.335	.324	.407	.465	.062	.170	4,600	.50
10B-S	.625	.380	.400	.387	.482	.580	.067	.200	6,300	.66
12B-S	.750	.460	.475	.444	.574	.635	.073	.225	7,300	.84
16B-S	1.000	.670	.625	.713	.831	.830	.157	.326	17,600	1.90
20B-S	1.250	.770	.750	.791	.961	1.040	.176	.401	26,600	2.60
24B-S	1.500	1.000	1.000	1.066	1.267	1.315	.236	.576	43,200	4.84
28B-S	1.750	1.220	1.100	1.297	1.474	1.460	.287	.626	59,300	6.44
32B-S	2.000	1.220	1.150	1.305	1.502	1.665	.276	.701	65,900	6.70
40B-S	2.500	1.500	1.550	1.626	2.028	2.085	.323	.901	93,600	10.95
48B-S	3.000	1.800	1.900	1.951	2.364	2.515	.472	1.151	141,000	16.80

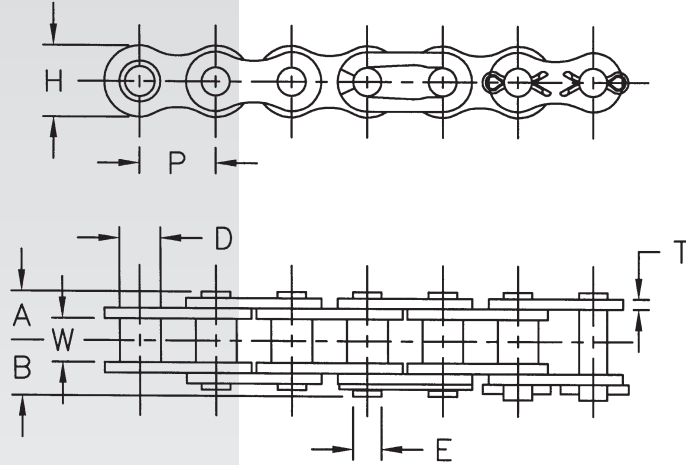
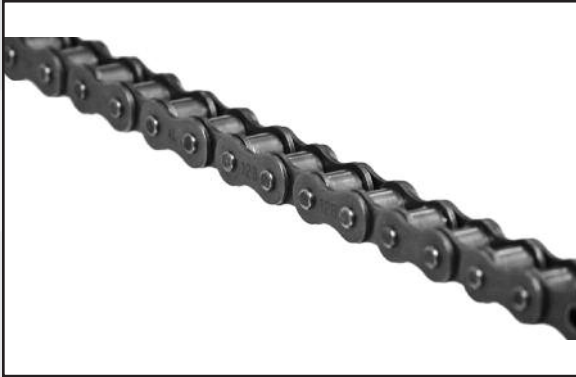
BRITISH STANDARD SUPER HEAVY

Dimensions In Inches										
ANSI Chain No.	Pitch P	Roller		Riv. End to Center Line A	Conn. End to Center Line B	Link Plate		Pin Dia. E	Avg. Ultimate Strength Lbs.	Avg. Weight Lbs./Ft.
		Width W	Dia. D			Height H	Thickness T			
24BSH	1.500	1.000	1.000	1.198	1.387	1.415	0.248	0.576	59,500	3.21
28BSH	1.750	1.220	1.100	1.335	1.551	1.606	0.287	0.626	71,600	4.68



BRITISH STANDARD CHAIN

**ALLIED-LOCKE
INDUSTRIES**



Dimensions In Inches

ANSI Chain No.	Pitch P	Roller		Riv. End to Center Line A	Conn. End to Center Line B	Link Plate		Pin Dia. E	Avg. Ultimate Strength Lbs.	Avg. Weight Lbs./Ft.
		Width W	Dia. D			Height H	Thickness T			
04B-1	.236	.110	.157	.124	.179	.198	.024	.072	730	0.09
05B-1	.315	.118	.197	.152	.189	.280	.030	.091	1,150	0.11
06B-1	.375	.225	.250	.253	.291	.325	.050	.129	2,250	0.28
08B-1	.500	.305	.335	.321	.361	.465	.058	.175	4,080	0.44
10B-1	.625	.380	.400	.385	.440	.580	.067	.200	5,850	0.62
12B-1	.750	.460	.475	.440	.483	.635	.073	.225	7,060	0.81
16B-1	1.000	.670	.625	.702	.819	.830	.157	.326	15,880	1.79
20B-1	1.250	.770	.750	.786	.955	1.040	.175	.401	22,050	2.43
24B-1	1.500	1.000	1.000	1.059	1.256	1.315	.219	.576	36,830	4.47
32B-1	2.000	1.220	1.150	1.327	1.556	1.662	.275	.703	57,330	6.59
06B-2	.375	.225	.250	.453	.488	.325	.050	.129	4,190	0.50
08B-2	.500	.305	.335	.606	.642	.465	.058	.175	8,160	0.87
10B-2	.625	.380	.400	.717	.776	.580	.067	.200	11,680	1.22
12B-2	.750	.460	.475	.833	.873	.635	.073	.225	14,120	1.61
16B-2	1.000	.670	.625	1.326	1.418	.830	.157	.326	31,980	3.54
20B-2	1.250	.770	.750	1.493	1.670	1.040	.175	.401	44,100	4.81
24B-2	1.500	1.000	1.000	1.989	2.219	1.315	.219	.576	64,390	8.86
06B-3	.375	.225	.250	.655	.690	.325	.050	.129	6,620	0.74
08B-3	.500	.305	.335	.868	.908	.465	.058	.175	12,130	1.31
10B-3	.625	.380	.400	1.044	1.103	.580	.067	.200	17,640	1.81
12B-3	.750	.460	.475	1.215	1.254	.635	.073	.225	21,170	2.41
16B-3	1.000	.670	.625	1.959	2.058	.830	.157	.326	47,410	5.30
20B-3	1.250	.770	.750	2.216	2.413	1.040	.175	.401	66,150	7.22

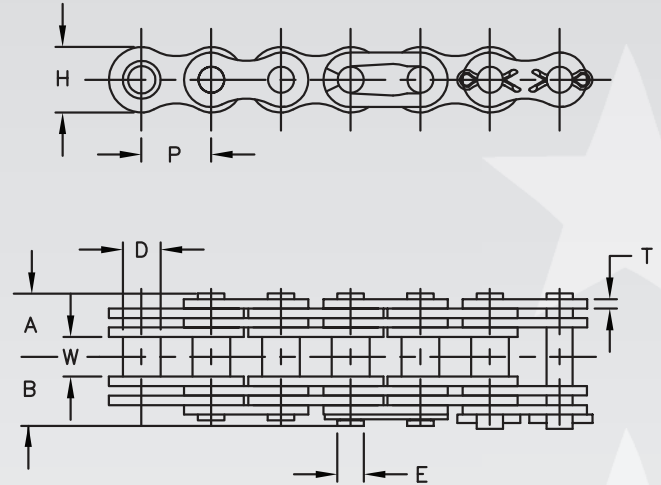
* Allied-Locke offers British Standard chain in all corrosion finishes: Nickel Plated, Armor Coat and Stainless Steel. Optional chain with chrome plated pins are stocked and available upon request.





DOUBLE CAPACITY ROLLER CHAIN

Double Capacity chain uses extended pins and has twice the number of link plates, doubling the chain's tensile strength. Common uses for double capacity chain are for lifting related applications.



Dimensions In Inches										
Chain No.	Pitch P	Roller		Riv. End to Center Line A	Conn. End to Center Line B	Link Plate		Pin Dia. E	Avg. Ultimate Strength Lbs.	Avg. Weight Lbs./Ft.
		Width W	Dia. D			Height H	Thickness T			
60DC	.750	.469	.469	.695	.795	.712	.094	.235	18,900	1.50
80DC	1.000	.625	.625	.898	.959	.950	.125	.313	36,000	2.80
100DC	1.250	.750	.750	1.098	1.171	1.187	.156	.376	58,700	4.32
120DC	1.500	1.000	.875	1.358	1.443	1.425	.187	.437	77,700	6.15
140DC	1.750	1.000	1.000	1.504	1.596	1.662	.219	.500	101,400	8.06
160DC	2.000	1.250	1.125	1.772	1.872	1.900	.250	.563	128,900	10.61
180DC	2.250	1.406	1.406	2.000	2.120	2.137	.281	.687	171,900	13.76
200DC	2.500	1.500	1.562	2.189	2.362	2.375	.312	.781	248,000	16.99
240DC	3.000	1.875	1.875	2.669	2.819	2.850	.375	.937	313,000	26.21

Double capacity chains are also available in extended pitch and more sizes upon request.



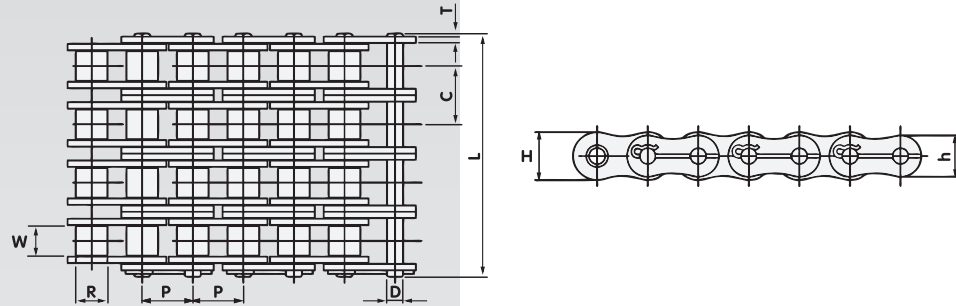
XDO® CHAIN

SIZES 40, 50, 60, 80, 100



XDO® CHAIN features:

- Shot Peening
- Wider Waist Link Plates
- Ball Drifting
- Improved Shepherd Crook Cotter
- Hot Dipped Lubrication



For Oilfield Use.

Dimensions In Inches

Chain No.	Pitch P	Width W	Dia. R	Link Plate			Pin (cotter type)		Transverse Pitch C	Avg. Ultimate Strength	Avg. Weight Lbs./Ft.
							Dia. D	Length L			
40-1	.500	.312	.312	.06	.475	.410	.156	.72	—	4,100	.42
40-2	.500	.312	.312	.06	.475	.410	.156	1.29	.566	8,200	.82
40-3	.500	.312	.312	.06	.475	.410	.156	1.85	.566	12,300	1.22
40-4	.500	.312	.312	.06	.475	.410	.156	2.42	.566	16,400	1.63
50-1	.625	.375	.400	.08	.594	.513	.200	.88	—	6,600	.68
50-2	.625	.375	.400	.08	.594	.513	.200	1.59	.713	13,200	1.34
50-3	.625	.375	.400	.08	.594	.513	.200	2.31	.713	19,800	2.00
50-4	.625	.375	.400	.08	.594	.513	.200	3.02	.713	26,400	2.67
50-5	.625	.375	.400	.08	.594	.513	.200	3.73	.713	33,000	3.34
50-6	.625	.375	.400	.08	.594	.513	.200	4.45	.713	39,600	4.01
50-8	.625	.375	.400	.08	.594	.513	.200	5.87	.713	52,800	5.39
60-1	.750	.500	.469	.094	.713	.615	.234	1.10	—	9,200	.97
60-2	.750	.500	.469	.094	.713	.615	.234	2.00	.897	18,400	1.93
60-3	.750	.500	.469	.094	.713	.615	.234	2.89	.897	27,600	2.88
60-4	.750	.500	.469	.094	.713	.615	.234	3.79	.897	36,800	3.83
60-5	.750	.500	.469	.094	.713	.615	.234	4.69	.897	46,000	4.79
60-6	.750	.500	.469	.094	.713	.615	.234	5.59	.897	55,200	5.75
60-8	.750	.500	.469	.094	.713	.615	.234	7.73	.897	73,600	7.66
80-1	1.00	.625	.625	.125	.950	.820	.312	1.69	—	17,500	1.71
80-2	1.00	.625	.625	.125	.950	.820	.312	2.84	1.153	35,000	3.39
80-3	1.00	.625	.625	.125	.950	.820	.312	4.00	1.153	52,500	5.07
80-4	1.00	.625	.625	.125	.950	.820	.312	5.15	1.153	72,000	6.76
80-5	1.00	.625	.625	.125	.950	.820	.312	6.30	1.153	90,000	8.45
80-6	1.00	.625	.625	.125	.950	.820	.312	7.45	1.153	108,000	10.14
80-8	1.00	.625	.625	.125	.950	.820	.312	9.76	1.153	144,000	13.52
100-1	1.25	.750	.750	.156	1.188	1.025	.375	1.69	—	24,900	2.65
100-2	1.25	.750	.750	.156	1.188	1.025	.375	3.10	1.408	49,800	5.28
100-3	1.25	.750	.750	.156	1.188	1.025	.375	4.51	1.408	74,700	7.90
100-4	1.25	.750	.750	.156	1.188	1.025	.375	5.91	1.408	117,400	10.52
100-5	1.25	.750	.750	.156	1.188	1.025	.375	7.32	1.408	146,800	13.15
100-6	1.25	.750	.750	.156	1.188	1.025	.375	8.73	1.408	176,200	15.78
100-8	1.25	.750	.750	.156	1.188	1.025	.375	11.55	1.408	234,900	21.04

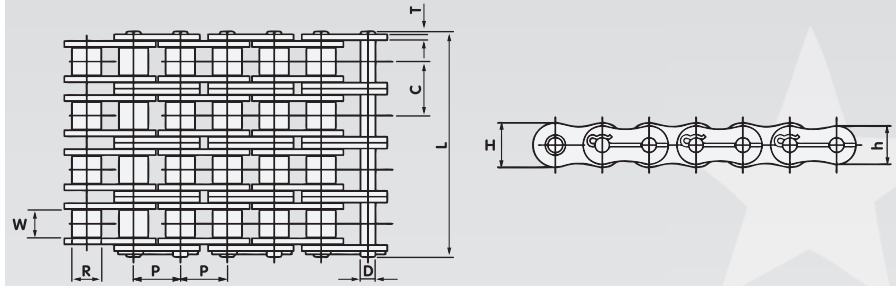
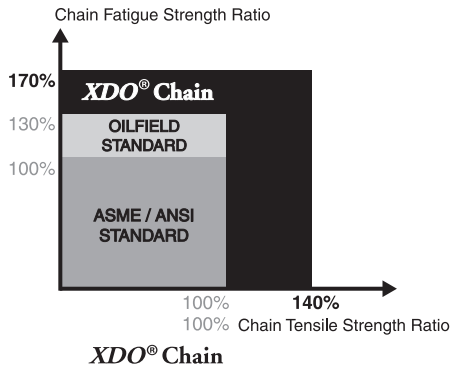




ALLIED-LOCKE
INDUSTRIES

XDO® CHAIN

SIZES 120, 140, 160
200, 264, 240



Dimensions In Inches											
Chain No.	Pitch P	Width W	Dia. R	Link Plate			Pin (cotter type)		Transverse Pitch C	Avg. Ultimate Strength	Avg. Weight Lbs./Ft.
							Dia. D	Length L			
120-1	1.50	1.000	.875	.187	1.425	1.230	.437	2.16	—	34,300	3.79
120-2	1.50	1.000	.875	.187	1.425	1.230	.437	3.95	1.789	68,600	7.53
120-3	1.50	1.000	.875	.187	1.425	1.230	.437	5.74	1.789	102,900	11.24
120-4	1.50	1.000	.875	.187	1.425	1.230	.437	7.52	1.789	155,300	14.97
120-5	1.50	1.000	.875	.187	1.425	1.230	.437	9.31	1.789	194,200	18.71
120-6	1.50	1.000	.875	.187	1.425	1.230	.437	11.10	1.789	233,000	22.45
120-8	1.50	1.000	.875	.187	1.425	1.230	.437	14.68	1.789	310,700	29.94
140-1	1.75	1.000	1.000	.219	1.663	1.435	.500	2.31	—	52,100	4.96
140-2	1.75	1.000	1.000	.219	1.663	1.435	.500	4.24	1.924	104,200	9.85
140-3	1.75	1.000	1.000	.219	1.663	1.435	.500	6.16	1.924	156,300	14.74
140-4	1.75	1.000	1.000	.219	1.663	1.435	.500	8.09	1.924	208,400	19.65
140-5	1.75	1.000	1.000	.219	1.663	1.435	.500	10.01	1.924	260,500	24.57
140-6	1.75	1.000	1.000	.219	1.663	1.435	.500	11.93	1.924	312,600	29.48
140-8	1.75	1.000	1.000	.219	1.663	1.435	.500	15.78	1.924	416,800	39.31
160-1	2.00	1.250	1.125	.250	1.900	1.640	.562	2.72	—	68,700	6.32
160-2	2.00	1.250	1.125	.250	1.900	1.640	.562	5.03	2.305	137,400	12.53
160-3	2.00	1.250	1.125	.250	1.900	1.640	.562	7.33	2.305	206,100	18.74
160-4	2.00	1.250	1.125	.250	1.900	1.640	.562	9.64	2.305	274,800	24.99
160-5	2.00	1.250	1.125	.250	1.900	1.640	.562	11.94	2.305	274,800	31.23
160-6	2.00	1.250	1.125	.250	1.900	1.640	.562	14.25	2.305	412,200	37.48
200-1	2.50	1.500	1.562	.312	2.375	2.050	.781	3.37	—	106,600	10.31
200-2	2.50	1.500	1.562	.312	2.375	2.050	.781	6.19	2.817	213,200	21.08
200-3	2.50	1.500	1.562	.312	2.375	2.050	.781	9.01	2.817	319,800	31.78
200-4	2.50	1.500	1.562	.312	2.375	2.050	.781	11.83	2.817	426,400	42.37
264-1	2.50	1.500	1.562	.375	2.375	2.050	.875	3.61	—	135,000	13.7
264-2	2.50	1.500	1.562	.375	2.375	2.050	.875	6.69	3.083	270,000	27.4
264-3	2.50	1.500	1.562	.375	2.375	2.050	.875	9.78	3.083	405,000	41.0
240-1	3.00	1.875	1.875	.375	2.850	2.460	.937	4.07	—	153,200	16.4
240-2	3.00	1.875	1.875	.375	2.850	2.460	.937	7.53	3.458	306,400	32.32
240-3	3.00	1.875	1.875	.375	2.850	2.460	.937	10.99	3.458	459,600	48.11



XDO® CHAIN

HEAVY DUTY

SIZES 60H, 80H, 100H, 120H

ALLIED-LOCKE
INDUSTRIES



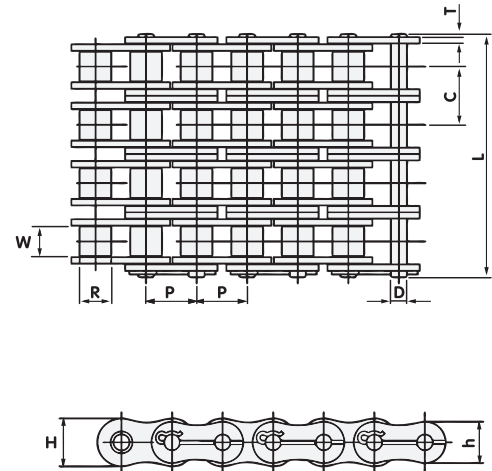
OUR IMPROVED SHEPHERD CROOK COTTER DESIGN

Allied-Locke has maximized the cotter size to withstand the demands of even the toughest environments.



All cotters made with alloy steel. All cotters are through hardened.

For Oilfield Use.



Dimensions In Inches

Chain No.	Pitch P	Width W	Dia. R	Link Plate			Pin (cotter type)		Transverse Pitch C	Avg. Ultimate Strength	Avg. Weight Lbs./Ft.
							Dia. D	Length L			
							T	H			
60H-1	.750	.500	.469	.125	.713	.615	.234	1.23	—	11,300	1.16
60H-2	.750	.500	.469	.125	.713	.615	.234	2.26	1.028	22,600	2.31
60H-3	.750	.500	.469	.125	.713	.615	.234	3.29	1.028	33,900	3.46
60H-4	.750	.500	.469	.125	.713	.615	.234	4.31	1.028	45,200	4.62
80H-1	1.00	.625	.625	.156	.950	.820	.312	1.59	—	20,500	2.06
80H-2	1.00	.625	.625	.156	.950	.820	.312	2.87	1.283	41,000	3.97
80H-3	1.00	.625	.625	.156	.950	.820	.312	4.15	1.283	61,500	5.96
80H-4	1.00	.625	.625	.156	.950	.820	.312	5.44	1.283	82,000	7.94
80H-5	1.00	.625	.625	.156	.950	.820	.312	6.72	1.283	102,500	9.93
80H-6	1.00	.625	.625	.156	.950	.820	.312	8.00	1.283	123,000	11.91
80H-8	1.00	.625	.625	.156	.950	.820	.312	10.57	1.283	164,000	15.88
100H-1	1.25	.750	.750	.187	1.188	1.025	.375	1.84	—	29,600	3.02
100H-2	1.25	.750	.750	.187	1.188	1.025	.375	3.38	1.539	59,200	6.07
100H-3	1.25	.750	.750	.187	1.188	1.025	.375	4.92	1.539	88,800	9.10
100H-4	1.25	.750	.750	.187	1.188	1.025	.375	6.46	1.539	118,400	12.14
100H-5	1.25	.750	.750	.187	1.188	1.025	.375	7.99	1.539	148,000	15.17
100H-6	1.25	.750	.750	.187	1.188	1.025	.375	9.53	1.539	177,600	18.21
100H-8	1.25	.750	.750	.187	1.188	1.025	.375	12.61	1.539	236,800	24.28
120H-1	1.50	1.000	.875	.219	1.425	1.230	.437	2.31	—	40,300	4.21
120H-2	1.50	1.000	.875	.219	1.425	1.230	.437	4.24	1.924	80,600	8.67
120H-3	1.50	1.000	.875	.219	1.425	1.230	.437	6.16	1.924	120,900	13.01
120H-4	1.50	1.000	.875	.219	1.425	1.230	.437	8.09	1.924	161,200	17.34
120H-5	1.50	1.000	.875	.219	1.425	1.230	.437	10.01	1.924	201,500	21.68
120H-6	1.50	1.000	.875	.219	1.425	1.230	.437	11.93	1.924	241,800	26.01
120H-8	1.50	1.000	.875	.219	1.425	1.230	.437	15.78	1.924	322,400	34.68





**ALLIED-LOCKE
INDUSTRIES**

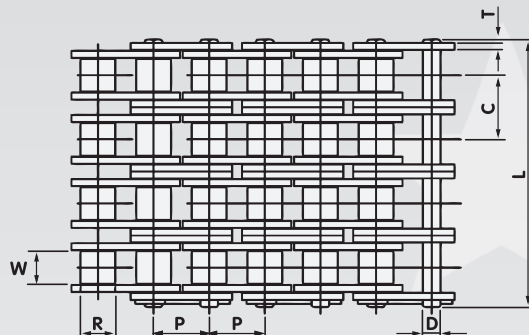
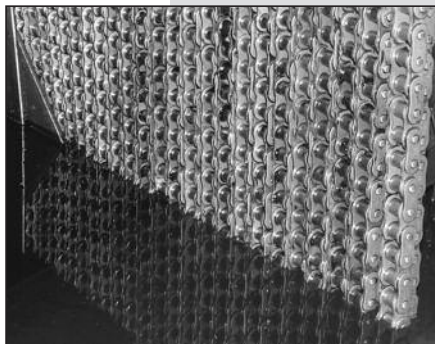
XDO® CHAIN

HEAVY DUTY

SIZES 140H, 160H, 200H

LUBRICATION

Extensive lubrication testing has led Allied-Locke to utilize the best lubricant for extending the life of the chain. Lubrication is applied through a hot dip process allowing for maximum penetration of chain joints.



Chain No.	Pitch P	Width W	Dia. R	Link Plate			Pin (cotter type)		Transverse Pitch C	Avg. Ultimate Strength	Avg. Weight Lbs./Ft.
				T	H	h	Dia. D	Length L			
140H-1	1.75	1.000	1.000	.250	1.663	1.435	.500	2.46	—	54,000	5.54
140H-2	1.75	1.000	1.000	.250	1.663	1.435	.500	4.52	2.055	108,000	11.01
140H-3	1.75	1.000	1.000	.250	1.663	1.435	.500	6.57	2.055	162,000	16.52
140H-4	1.75	1.000	1.000	.250	1.663	1.435	.500	8.63	2.055	216,000	22.02
140H-5	1.75	1.000	1.000	.250	1.663	1.435	.500	10.68	2.055	270,000	27.53
140H-6	1.75	1.000	1.000	.250	1.663	1.435	.500	12.74	2.055	324,000	33.03
140H-8	1.75	1.000	1.000	.250	1.663	1.435	.500	16.85	2.055	432,000	44.04
160H-1	2.00	1.250	1.125	.281	1.900	1.640	.562	2.86	—	68,700	7.35
160H-2	2.00	1.250	1.125	.281	1.900	1.640	.562	5.29	2.436	137,400	14.64
160H-3	2.00	1.250	1.125	.281	1.900	1.640	.562	7.73	2.436	206,100	21.96
160H-4	2.00	1.250	1.125	.281	1.900	1.640	.562	10.16	2.436	274,800	29.28
160H-5	2.00	1.250	1.125	.281	1.900	1.640	.562	12.60	2.436	343,500	36.6
160H-6	2.00	1.250	1.125	.281	1.900	1.640	.562	15.04	2.436	412,200	43.92
200H-1	2.50	1.500	1.562	.375	2.375	2.050	.781	3.39	—	113,700	12.33
200H-2	2.50	1.500	1.562	.312	2.375	2.050	.781	6.47	3.083	227,400	24.51
200H-3	2.50	1.500	1.562	.312	2.375	2.050	.781	9.56	3.083	341,100	36.77
200H-4	2.50	1.500	1.562	.312	2.375	2.050	.781	12.64	3.083	454,800	49.02

M-TYPE COTTER FOR SIZES:

200, 240, 264

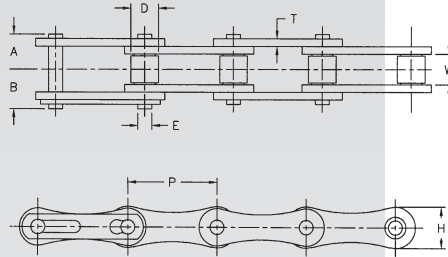


DOUBLE PITCH ROLLER CHAIN

**ALLIED-LOCKE
INDUSTRIES**



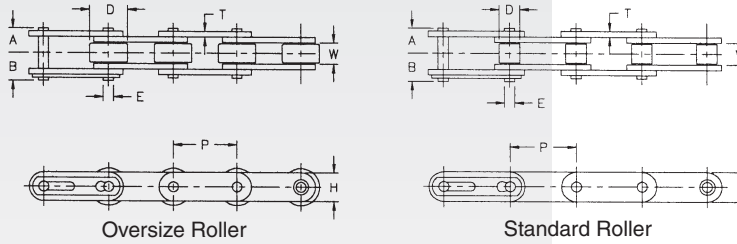
DRIVE SERIES



Dimensions In Inches

ANSI Chain No.	Pitch P	Roller		Riv. End to Center Line A	Conn. End to Center Line B	Link Plate		Pin Dia. E	Avg. Ultimate Strength Lbs.	Avg. Weight Lbs./Ft.
		Width W	Dia. D			Height H	Thickness T			
A2040	1.000	.312	.312	.321	.368	.475	.058	.156	3,970	0.28
A2050	1.250	.375	.400	.399	.455	.594	.079	.200	6,620	0.46
A2060	1.500	.500	.469	.497	.551	.712	.093	.234	9,270	0.64
A2080	2.000	.625	.625	.725	.873	.950	.157	.312	12,460	1.24

CONVEYOR SERIES



Dimensions In Inches

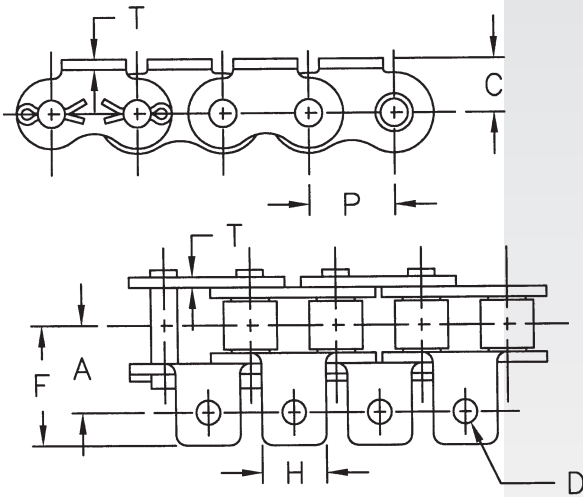
ANSI Chain No.	Pitch P	Roller		Riv. End to Center Line A	Conn. End to Center Line B	Link Plate		Pin Dia. E	Avg. Ultimate Strength Lbs.	Avg. Weight Lbs./Ft.
		Width W	Dia. D			Height H	Thickness T			
STANDARD ROLLER TYPE										
C2040	1.000	.312	.312	.321	.368	.475	.058	.156	3,970	0.32
C2050	1.250	.375	.400	.399	.455	.594	.079	.200	6,620	0.54
C2060	1.500	.500	.469	.497	.551	.712	.093	.234	9,270	0.76
C2060H	1.500	.500	.469	.570	.625	.712	.125	.234	12,130	0.95
C2080H	2.000	.625	.625	.720	.873	.950	.157	.312	19,850	1.60
C2100H	2.500	.750	.750	.845	1.002	1.188	.189	.375	30,870	2.46
C2120H	3.000	1.000	.875	1.066	1.259	1.369	.219	.437	36,390	3.48
C2160H	4.000	1.250	1.125	1.339	1.536	1.901	.281	.563	61,740	5.75
OVERSIZE ROLLER TYPE										
C2042	1.000	.312	.625	.321	.368	.475	.058	.156	3,970	0.56
C2052	1.250	.375	.750	.399	.455	.594	.079	.200	6,620	0.85
C2062H	1.500	.500	.875	.570	.625	.712	.125	.234	12,130	1.42
C2082H	2.000	.625	1.125	.720	.873	.950	.157	.312	19,850	2.31
C2102H	2.500	.750	1.562	.845	1.002	1.188	.189	.375	30,870	3.95
C2122H	3.000	1.000	1.751	1.066	1.259	1.369	.219	.437	36,390	5.44
C2162H	4.000	1.250	2.251	1.339	1.536	1.901	.281	.563	61,740	8.79





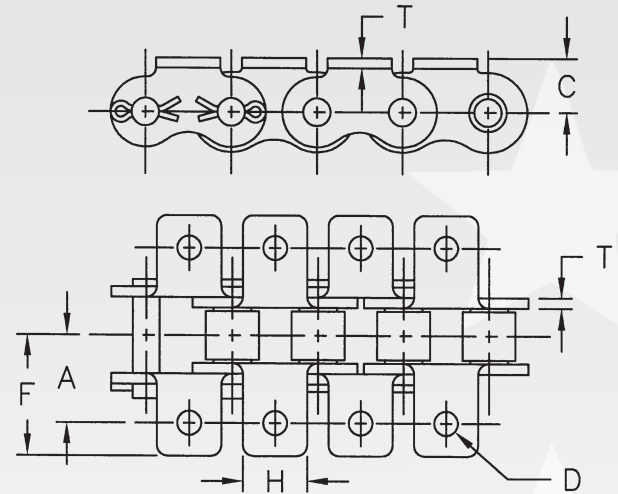
STANDARD BENT - ONE SIDE

A-1, (B-1) One Hole One Side



STANDARD BENT - TWO SIDES

K-1, (B-2) One Hole Two Sides



Dimensions In Inches									
ANSI Chain No.	Pitch P	A-1		K-1		From Top to Pin C.L. C	Hole Dia. D	Attach Extension Width H	Thickness T
		From Hole C.L. to Chain C.L. A	From End to Chain C.L. F	From C.L. to Chain C.L. A	From End to Chain C.L. F				
35*	.375	.375	.516	.375	.516	.250	.109	.312	.050
40	.500	.500	.688	.500	.688	.312	.140	.375	.058
50	.625	.625	.969	.625	.969	.406	.203	.562	.079
60	.750	.750	1.094	.750	1.094	.469	.203	.625	.093
80	1.000	1.000	1.548	1.000	1.548	.625	.265	.750	.125
100**	1.250	1.250	1.694	1.250	1.694	.781	.328	1.000	.157
120**	1.500	1.501	2.088	1.501	2.088	.906	.390	1.126	.189
140**	1.750	1.750	2.437	1.750	2.437	1.125	.448	1.375	.218
160**	2.000	2.000	2.812	2.000	2.812	1.250	.516	1.500	.250

**Extensions are staggered on chains 100 through 160.

*Chain is rollerless.

Special tab holes available upon request.

All Allied-Locke attachment chains are available in corrosion resistant finishes: Nickel Plate, Armor Coat, 304 & 600 (PHSS) Stainless Steel.



ATTACHMENTS

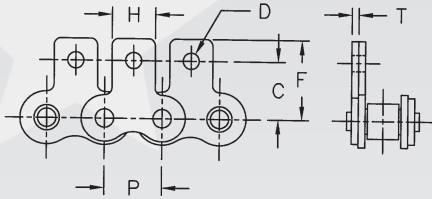
STANDARD STRAIGHT ONE SIDE/TWO SIDES EXTENDED PIN

ALLIED-LOCKE
INDUSTRIES



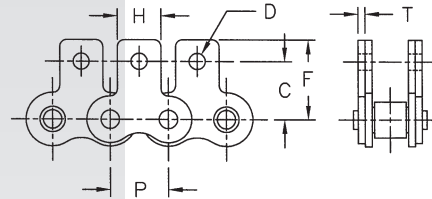
STRAIGHT - ONE SIDE

M-35, (SA-1)
One Hole One Side



STRAIGHT - TWO SIDES

M-1, (SK-1)
One Hole Two Sides

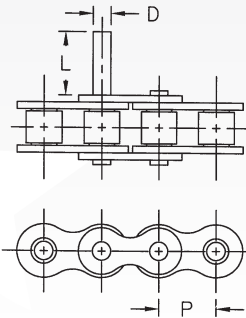


Dimensions In Inches						
ANSI Chain No.	Pitch	From Hole C.L. to Pin C.L.	Hole Dia.	From Top to Pin C.L.	Extension Width	Thickness
	P	C	D	F	H	T
35*	.375	.375	.109	.531	.312	.050
40	.500	.500	.140	.687	.375	.058
50	.625	.625	.203	.963	.562	.079
60	.750	.719	.203	1.031	.625	.093
80	1.000	.969	.265	1.339	.750	.125
100	1.250	1.250	.328	1.649	1.000	.157
120	1.500	1.439	.390	1.959	1.126	.189
140	1.750	1.750	.448	2.437	1.375	.218
160	2.000	2.000	.516	2.750	1.500	.250

*Chain is rollerless.



D-1
Single Pin
One Side



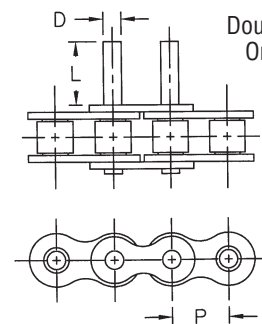
EXTENDED PIN • D-1 & D-3

Dimensions In Inches			
ANSI Chain No.	Pitch	Pin Dia.	Pin Projection
	P	D	L
35*	.375	.141	.375
40	.500	.156	.375
50	.625	.200	.469
60	.750	.234	.562
80	1.000	.312	.750
100	1.250	.375	.938
120	1.500	.437	1.126
140	1.750	.500	1.312
160	2.000	.562	1.500

*Chain is rollerless.



D-3
Double Pin
One Side



*Chain is rollerless.

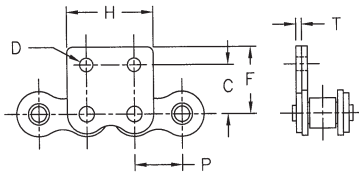
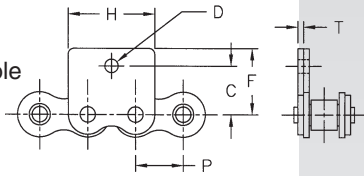




STRAIGHT - ONE SIDE

WM-35-1

One Side - One Hole



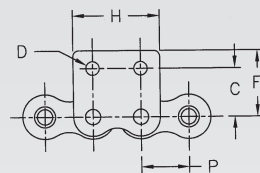
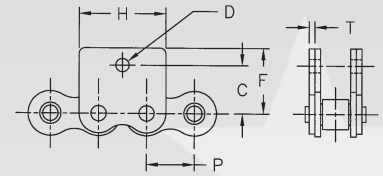
WM-35-2

One Side - Two Holes

STRAIGHT - TWO SIDES

WM-1

Two Sides - One Hole



WM-2

Two Sides - Two Holes

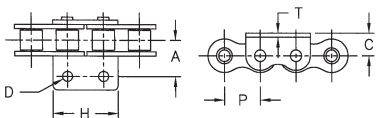
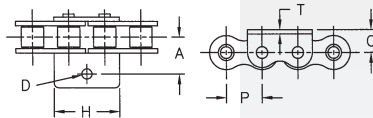
Dimensions In Inches						
ANSI Chain No.	Pitch	From Hole C.L. to Pin C.L.	Hole Dia.	From Top to Pin C.L.	Extension Width	Thickness
	P	C	D	F	H	T
35*	.375	.375	.109	.578	.722	.050
40	.500	.500	.140	.681	.910	.058
50	.625	.625	.203	.969	1.131	.079
60	.750	.719	.203	1.028	1.428	.093
80	1.000	.969	.265	1.349	1.916	.125

*Chain is rollerless.

BENT - ONE SIDE

WA-1

One Side - One Hole



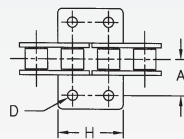
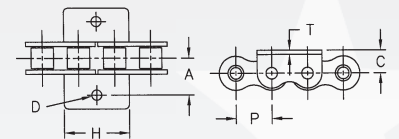
WA-2

One Side - Two Holes

BENT - TWO SIDES

WK-1

Two Sides - One Hole



WK-2

Two Sides - Two Holes

Dimensions In Inches						
ANSI Chain No.	Pitch	From Hole C.L. to Chain C.L.	From Top to Pin C.L.	Hole Dia.	Extension Width	Thickness
	P	A	C	D	H	T
35*	.375	.375	.250	.109	.722	.050
40	.500	.500	.312	.140	.910	.058
50	.625	.625	.406	.203	1.131	.079
60	.750	.750	.469	.203	1.428	.093
80	1.000	1.000	.625	.265	1.916	.125

*Chain is rollerless. Special hole tabs available upon request.



ATTACHMENTS

DOUBLE PITCH BENT ONE SIDE/TWO SIDES

ALLIED-LOCKE
INDUSTRIES



BENT - ONE SIDE

A-1

One Side - One Hole

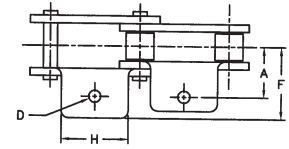


A-2

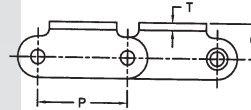
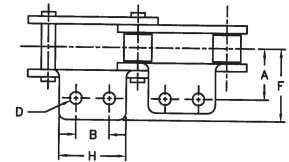
One Side - Two Holes



A-1



A-2



Dimensions In Inches									
ANSI Chain No.		Pitch P	From Hole C.L. to Chain C.L. A	From Hole C.L. to Hole C.L. B	From Top to Pin C.L. C	Hole Dia. D	From End to Chain C.L. F	Extension Width H	Thickness T
Standard Roller	Large Size Roller								
BENT - ONE SIDE									
C2040	C2042	1.000	.500	.375	.359	.140	.742	.750	.058
C2050	C2052	1.250	.625	.469	.438	.203	.945	1.000	.079
C2060H	C2062H	1.500	.844	.562	.578	.203	1.204	1.126	.125
C2080H	C2082H	2.000	1.094	.750	.750	.265	1.516	1.501	.157
C2100H*	C2102H	2.500	1.312	.938	.922	.328	1.966	1.876	.189
C2120H*	C2122H	3.000	1.562	1.126	1.094	.390	2.391	2.251	.219
C2160H*	C2162H	4.000	2.063	1.501	1.439	.521	3.159	2.966	.281
BENT - TWO SIDES									
C2040	C2042	1.000	.500	.375	.359	.140	.742	.750	.058
C2050	C2052	1.250	.625	.469	.438	.203	.945	1.000	.079
C2060H	C2062H	1.500	.844	.562	.578	.203	1.204	1.126	.125
C2080H	C2082H	2.000	1.094	.750	.750	.265	1.516	1.501	.157
C2100H*	C2102H	2.500	1.312	.938	.922	.328	1.966	1.876	.189
C2120H*	C2122H	3.000	1.562	1.126	1.094	.390	2.391	2.251	.219
C2160H*	C2162H	4.000	2.063	1.501	1.439	.521	3.159	2.966	.281

*Extensions are staggered.

BENT - TWO SIDES

K-1

Two Sides - One Hole

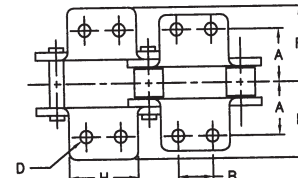
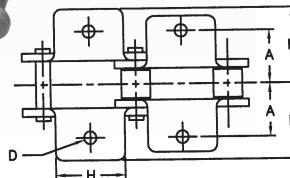
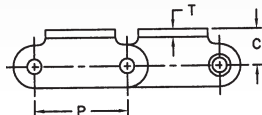


K-2

Two Sides - Two Holes



Special hole tabs available upon request.



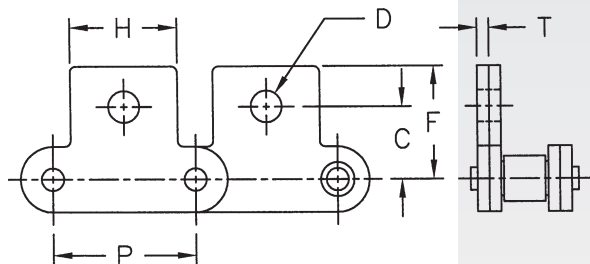


ATTACHMENTS

DOUBLE PITCH STRAIGHT - ONE SIDE

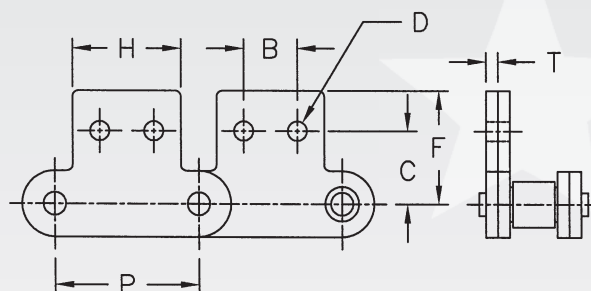
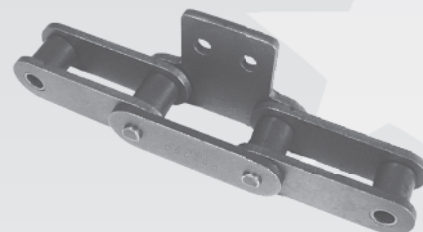
M-35-1

One Side - One Hole



M-35-2

One Side - Two Holes



Dimensions In Inches

ANSI Chain No.		M-35-1		M-35-2			From Top to Pin C.L.	Extension Width	Thickness	
Standard Roller	Large Size Roller	Pitch	From Hole C.L. to Pin C.L.	Hole Dia.	From Hole C.L. to Hole C.L.	From C.L. to Pin C.L.				Hole Dia.
		P	C	D	B	C	D	F	H	T
C2040	C2042	1.000	.438	.203	.375	.531	.140	.759	.750	.058
C2050	C2052	1.250	.562	.250	.469	.625	.203	.969	1.000	.079
C2060H	C2062H	1.500	.688	.328	.562	.750	.203	1.172	1.126	.125
C2080H	C2082H	2.000	.875	.390	.750	1.000	.265	1.501	1.501	.157
C2100H	C2102H	2.500	1.126	.516	.938	1.250	.328	1.985	1.876	.189
C2120H	C2122H	3.000	1.312	.578	1.126	1.470	.390	2.361	2.251	.219
C2160H	C2162H	4.000	1.751	.766	1.501	2.001	.521	3.027	2.966	.281

All Allied-Locke attachment chains are available in corrosion resistant finishes: Nickel Plate, Armor Coat, 304 & 600 (PHSS) Stainless Steel.



ATTACHMENTS

DOUBLE PITCH STRAIGHT TWO SIDES • EXTENDED PIN

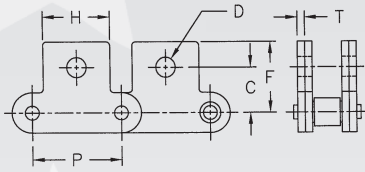
ALLIED-LOCKE
INDUSTRIES



STRAIGHT - TWO SIDES

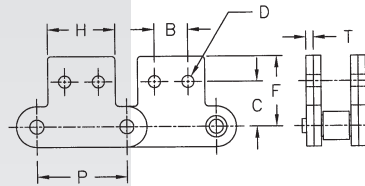
M-1

Two Sides - One Hole



M-2

Two Sides - Two Holes

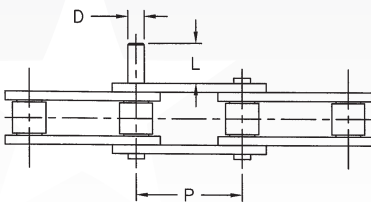


Dimensions In Inches

ANSI Chain No.		M-1		M-2			From Top to Pin C.L.	Extension Width	Thickness	
Standard Roller	Large Size Roller	Pitch	From Hole C.L. to Pin C.L.	Hole Dia.	From Hole C.L. to Hole C.L.	From C.L. to Pin C.L.				Hole Dia.
		P	C	D	B	C	D	F	H	T
C2040	C2042	1.000	.438	.203	.375	.531	.140	.759	.750	.058
C2050	C2052	1.250	.562	.250	.469	.625	.203	.969	1.000	.079
C2060H	C2062H	1.500	.688	.328	.562	.750	.203	1.172	1.126	.125
C2080H	C2082H	2.000	.875	.390	.750	1.000	.265	1.501	1.501	.157
C2100H	C2102H	2.500	1.126	.516	.938	1.250	.328	1.985	1.876	.189
C2120H	C2122H	3.000	1.312	.578	1.126	1.470	.390	2.361	2.251	.219
C2160H	C2162H	4.000	1.751	.766	1.501	2.001	.521	3.027	2.966	.281

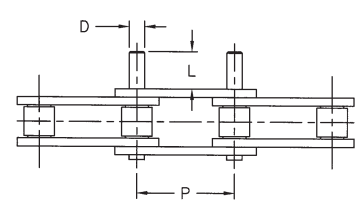
D-1

Single Pin
One Side



EXTENDED PIN • D-1 & D-3

D-3
Double Pin
One Side



Dimensions In Inches

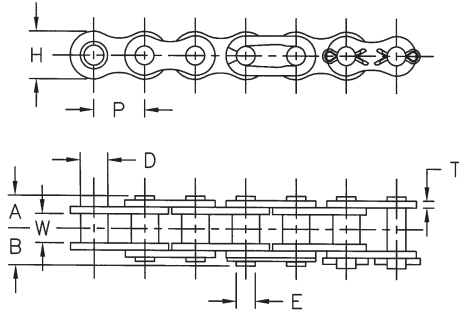
ANSI Chain No.		Pitch	Pin Dia.	Pin Projection
Standard Roller	Large Size Roller			
C2040	C2042	1.000	.156	.375
C2050	C2052	1.250	.200	.469
C2060H	C2062H	1.500	.234	.562
C2080H	C2082H	2.000	.312	.750
C2100H	C2102H	2.500	.375	.930
C2120H	C2122H	3.000	.437	1.126
C2160H	C2162H	4.000	.563	1.501





ALLIED-LOCKE
INDUSTRIES

NICKEL PLATED CHAIN



NICKEL PLATED CHAIN (NP)

Plated roller chain is standard chain which is nickel-plated before assembly. It features a sheen and has the property of being resistant to corrosion, together with the same strength and wear resistance as standard roller chain.

This makes it ideal for use with machines which must be kept highly clean, such as food processing equipment, textile machines, business machines, and printing machines. In addition, the corrosion resistant feature of nickel-plated chain permits its use either underwater or in places where conditions of high humidity prevail.

"NP" is added to the chain number for identification.

Dimensions In Inches										
ANSI Chain No.	Pitch P	Roller		Riv. End to Center Line A	Conn. End to Center Line B	Link Plate		Pin Dia. E	Avg. Ultimate Strength Lbs.	Avg. Weight Lbs./Ft.
		Width W	Dia. D			Height H	Thickness T			
25 NP	.250	.125	.130	.153	.189	.228	.029	.091	930	0.09
35 NP	.375	.187	.200	.228	.276	.356	.050	.141	2,320	0.22
40 NP	.500	.312	.312	.321	.368	.475	.058	.156	3,970	0.42
41 NP	.500	.250	.306	.261	.314	.390	.050	.141	2,760	0.28
410(43)NP	.500	.125	.305	.182	.226	.390	.040	.142	2,210	0.19
50 NP	.625	.375	.400	.399	.455	.594	.079	.200	6,620	0.68
60 NP	.750	.500	.469	.497	.551	.712	.093	.234	9,270	0.97
80 NP	1.000	.625	.625	.645	.724	.950	.125	.312	16,540	1.71
100 NP	1.250	.750	.750	.789	.941	1.188	.157	.375	25,360	2.65
35-2 NP	.375	.187	.200	.438	.468	.356	.050	.141	4,640	0.42
40-2 NP	.500	.312	.312	.606	.661	.475	.058	.156	7,500	0.82
50-2 NP	.625	.375	.400	.752	.807	.594	.079	.200	13,230	1.34
60-2 NP	.750	.500	.469	.945	1.000	.712	.093	.234	18,530	1.93
80-2 NP	1.000	.625	.625	1.220	1.303	.950	.125	.312	33,080	3.39
A2040 NP	1.000	.312	.312	.321	.368	.475	.058	.156	3,970	0.28
A2050 NP	1.250	.375	.400	.399	.455	.594	.079	.200	6,620	0.46
A2060 NP	1.500	.500	.469	.497	.551	.712	.093	.234	9,270	0.64
C2040 NP	1.000	.312	.312	.321	.368	.475	.058	.156	3,970	0.28
C2050 NP	1.250	.375	.400	.399	.455	.594	.079	.200	6,620	0.46
C2060H NP	1.500	.500	.469	.570	.625	.712	.125	.234	12,130	0.95
C2080H NP	2.000	.625	.625	.720	.873	.950	.157	.312	19,850	1.60
C2100H NP	2.500	.750	.750	.845	1.002	1.188	.189	.375	30,870	2.46
C2120H NP	3.000	1.000	.875	1.066	1.259	1.425	.219	.437	36,390	3.48
C2160H NP	4.000	1.250	1.125	1.339	1.536	1.901	.281	.563	61,740	5.75
BRITISH STD.										
06B-1 NP	.375	.225	.250	.253	.291	.325	.050	.129	2,250	0.28
08B-1 NP	.500	.305	.335	.321	.361	.465	.058	.175	4,080	0.44
10B-1 NP	.625	.380	.400	.385	.440	.580	.067	.200	5,850	0.62
12B-1 NP	.750	.460	.475	.440	.483	.635	.073	.225	7,060	0.81

Also available in multiple strand configurations.



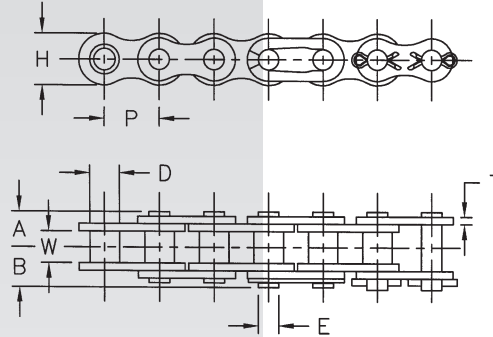
"304" STAINLESS STEEL CHAIN

ALLIED-LOCKE INDUSTRIES



304 STAINLESS STEEL CHAIN (SS)

Stainless roller chain is made of 304 stainless steel, having superior corrosion and heat resistance properties. Stainless steel attachment chain is also available.



Dimensions In Inches

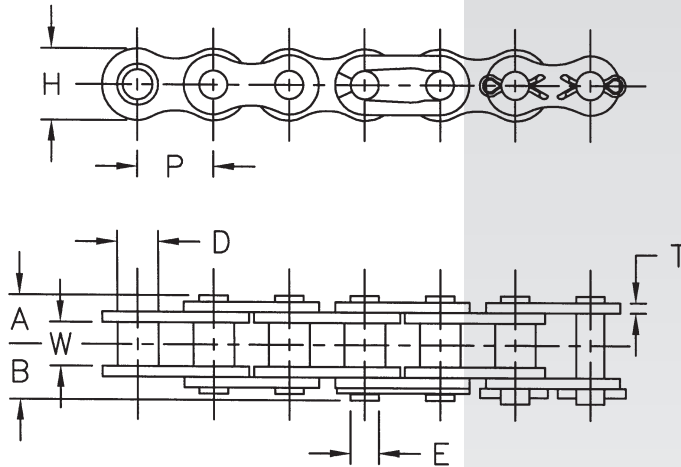
ANSI Chain No.	Pitch P	Roller		Riv. End to Center Line A	Conn. End to Center Line B	Link Plate		Pin Dia. E	Max. Working Load Lbs.	Avg. Weight Lbs./Ft.
		Width W	Dia. D			Height H	Thickness T			
25 SS	.250	.125	.130	.153	.189	.228	.029	.091	27	0.09
35 SS	.375	.187	.200	.228	.276	.356	.050	.141	62	0.22
40 SS	.500	.312	.312	.321	.368	.475	.058	.156	98	0.42
41 SS	.500	.250	.306	.261	.314	.390	.050	.141	62	0.28
50 SS	.625	.375	.400	.399	.455	.594	.079	.200	155	0.68
60 SS	.750	.500	.469	.497	.551	.712	.093	.234	232	0.97
80 SS	1.000	.625	.625	.645	.724	.950	.125	.312	398	1.71
100 SS	1.250	.750	.750	.789	.941	1.188	.157	.375	575	2.65
120 SS	1.500	1.000	.875	.983	1.219	1.425	.189	.437	860	3.79
140 SS	1.750	1.000	1.000	1.066	1.259	1.663	.219	.500	1,034	4.96
160 SS	2.000	1.250	1.125	1.282	1.469	1.901	.255	.563	1,433	6.32
35-2 SS	.375	.187	.200	.438	.468	.356	.050	.141	120	0.42
40-2 SS	.500	.312	.312	.606	.661	.475	.058	.156	200	0.82
50-2 SS	.625	.375	.400	.752	.807	.594	.079	.200	306	1.34
60-2 SS	.750	.500	.469	.945	1.000	.712	.093	.234	465	1.93
80-2 SS	1.000	.625	.625	1.220	1.303	.950	.125	.312	795	3.39
A2040 SS	1.000	.312	.312	.321	.368	.475	.058	.156	98	0.28
A2050 SS	1.250	.375	.400	.399	.455	.594	.079	.200	155	0.46
A2060 SS	1.500	.500	.469	.497	.551	.712	.093	.234	232	0.64
C2040 SS	1.000	.312	.312	.321	.368	.475	.058	.156	98	0.32
C2042 SS	1.000	.312	.625	.321	.368	.475	.058	.156	128	0.56
C2050 SS	1.250	.375	.400	.399	.455	.594	.079	.200	155	0.54
C2052 SS	1.250	.375	.750	.399	.455	.594	.079	.200	155	0.85
C2060 SS	1.500	.500	.469	.497	.551	.712	.093	.234	232	0.76
C2060H SS	1.500	.500	.469	.570	.625	.712	.125	.234	253	0.95
C2062H SS	1.500	.500	.875	.570	.625	.712	.125	.234	253	1.42
C2080H SS	2.000	.625	.625	.720	.873	.950	.157	.312	422	1.60
C2082H SS	2.000	.625	1.130	.720	.873	.950	.157	.312	422	2.31
C2100H SS	2.500	.750	.750	.845	1.002	1.188	.189	.375	625	2.46
C2102HSS	2.500	.750	1.562	.845	1.002	1.188	.189	.375	625	3.95
C2120H SS	3.000	1.000	.875	1.066	1.295	1.425	.219	.437	936	3.48
C2122H SS	3.000	1.000	1.751	1.066	1.259	1.425	.219	.437	936	5.44

Also available in multiple strand configurations.





"600" SERIES (PHSS) STAINLESS STEEL CHAIN



600 STAINLESS STEEL CHAIN (PHSS)

Provides both corrosion resistance and good wear. The special 600 series stainless steel material is used in the round parts which allows for greater working loads.

The side plates are "304" series stainless steel allowing increased corrosion resistance. 600 series stainless steel chains are ideal when FDA regulations are required to be met.

600 series chains have specially hardened pins, bushings and rollers for greater wear resistance than 304 series chain.

ANSI Chain No.	Dimensions In Inches									
	Pitch P	Roller		Riv. End to Center Line A	Conn. End to Center Line B	Link Plate		Pin Dia. E	Avg. Ultimate Strength Lbs.	Avg. Weight Lbs./Ft.
		Width W	Dia. D			Height H	Thickness T			
35 PHSS	.375	.187	.200	.228	.276	.356	.050	.041	1,550	0.22
40 PHSS	.500	.312	.312	.321	.368	.475	.058	.156	2,760	0.42
50 PHSS	.625	.375	.400	.399	.455	.594	.079	.200	4,970	0.68
60 PHSS	.750	.500	.469	.497	.551	.712	.093	.234	6,620	0.97
80 PHSS	1.000	.625	.625	.645	.724	.950	.125	.312	10,590	1.71
C2040 PHSS	1.000	.312	.312	.321	.368	.475	.058	.156	2,760	0.28
C2042 PHSS	1.000	.312	.625	.321	.368	.475	.058	.156	2,760	0.56
C2050 PHSS	1.250	.375	.400	.399	.455	.594	.079	.200	4,970	0.46
C2052 PHSS	1.250	.375	.750	.399	.455	.594	.079	.200	4,970	0.85
C2060 PHSS	1.500	.500	.469	.497	.551	.712	.093	.234	6,620	0.64
C2060H PHSS	1.500	.500	.469	.570	.625	.712	.125	.234	6,620	0.95
C2062H PHSS	1.500	.500	.875	.570	.625	.712	.125	.234	6,620	1.42
C2080H PHSS	2.000	.625	.625	.720	.873	.950	.157	.312	10,590	1.60
C2082H PHSS	2.000	.625	1.130	.720	.873	.950	.157	.312	10,590	2.31

Also available in multiple strand configurations.



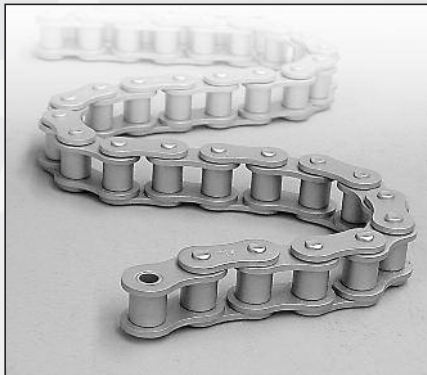
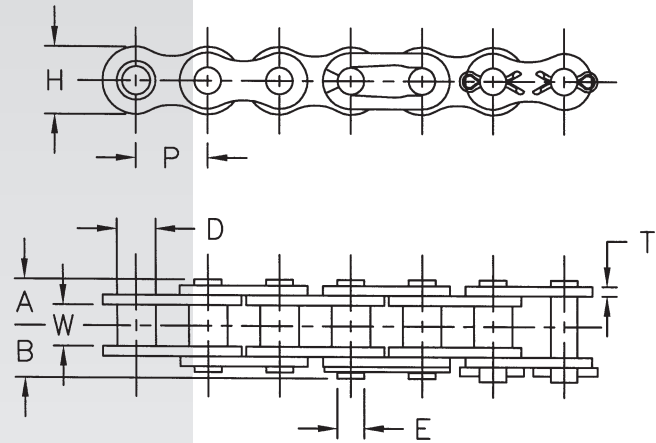
ARMOR COAT CHAIN

**ALLIED-LOCKE
INDUSTRIES**



ARMOR COAT CHAIN (AC)

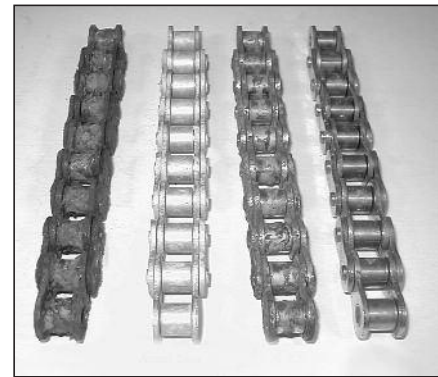
Armor coat chain features the strength of carbon steel with a corrosive resistance exceeding nickel plated chain. The baked on coating is applied both prior to assembly and again after assembly. For use in corrosion prone applications such as car wash, packaging, water treatment, wash down lines, produce processing, seafood processing and other outdoor service. "AC" is added to chain number for identification.



PICTURED AT RIGHT

Comparison of Carbon Steel, Armor Coat, Nickel Plated and Stainless Steel.

After 14 days of exposure to 5% salt spray solution.



Carbon Steel ARMOR COAT Nickel Plated Stainless Steel

Dimensions In Inches

ANSI Chain No.	Pitch P	Roller		Riv. End to Center Line A	Conn. End to Center Line B	Pin Dia. E	Link Plate		Avg. Ultimate Strength Lbs.	Avg. Weight Lbs./Ft.
		Width W	Dia. D				Height H	Thickness T		
40 AC	.500	.312	.312	.321	.368	.156	.475	.058	3,970	0.42
50 AC	.625	.375	.400	.399	.455	.200	.594	.079	6,620	0.68
60 AC	.750	.500	.469	.497	.551	.234	.712	.093	9,270	0.97
80 AC	1.000	.625	.625	.645	.724	.312	.950	.125	16,540	1.71
100 AC	1.250	.750	.750	.789	.941	.375	1.188	.157	25,360	2.65
A2040 AC	1.000	.312	.312	.321	.368	.156	.475	.058	3,970	0.28
A2050 AC	1.250	.375	.400	.399	.455	.200	.594	.079	6,620	0.46
C2040 AC	1.000	.312	.312	.321	.368	.156	.475	.058	3,970	0.32
C2042 AC	1.000	.312	.625	.321	.368	.156	.475	.058	3,970	0.56
C2050 AC	1.250	.375	.400	.399	.455	.200	.594	.079	6,620	0.54
C2052 AC	1.250	.375	.750	.399	.455	.200	.594	.079	6,620	0.85
C2060H AC	1.500	.500	.469	.570	.625	.234	.712	.125	12,130	0.95
C2062H AC	1.500	.500	.875	.570	.625	.234	.712	.125	12,130	1.42

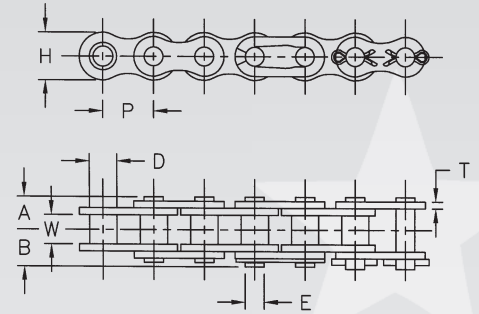
Other roller chain products available with Armor Coat finish.
Optional chain with chrome plated pins are stocked and available upon request.





SELF-LUBE CHAIN (SL)

Self-lube roller chain (sintered bushing) assures seizure-free, long life when normal lubrication is not possible or restricted in cases such as textiles, packing, and printing machines. Self lube roller chain is interchangeable with ANSI roller chain and workable on standard ANSI sprockets. "SL" is added for identification. Self lube chain does not have rollers. The outside diameter of the bushing is the same size as outside diameter of the corresponding ANSI roller.



Dimensions In Inches										
ANSI Chain No.	Pitch P	Bushing		Riv. End to Center Line A	Conn. End to Center Line B	Link Plate		Pin Dia. E	Avg. Ultimate Strength Lbs.	Avg. Weight Lbs./Ft.
		Width W	Dia. D			Height H	Thickness T			
40SL	.500	.312	.312	.321	.368	.475	.058	.156	2,760	0.42
50SL	.625	.375	.400	.399	.455	.594	.079	.200	4,640	0.68
60SL	.750	.500	.469	.497	.551	.712	.093	.234	5,960	0.97
80SL	1.000	.625	.625	.645	.724	.950	.125	.312	11,470	1.71
C2040SL	1.000	.312	.312	.321	.368	.475	.058	.156	2,760	0.28
C2050SL	1.250	.375	.400	.399	.455	.594	.079	.200	4,640	0.46
C2060SL	1.500	.500	.469	.497	.551	.712	.093	.234	5,960	0.64
C2060HSL	1.500	.500	.469	.570	.625	.712	.125	.234	7,060	0.95
C2080HSL	2.000	.625	.625	.720	.873	.950	.157	.312	11,800	1.60

SELF LUBE BUSHING CHAIN (SLB)TM

Our SLBTM chains are assembled with nickel plated pins and specially treated side plates for maximized corrosion resistance. We also use heat treated, sintered, oil-impregnated bushings that are made of materials that resist wear and promote smooth action. SLBTM chains are interchangeable with standard ANSI sprockets. "SLB" is added for identification. SLBTM chain is furnished with rollers.

Dimensions In Inches										
ANSI Chain No.	Pitch P	Roller		Riv. End to Center Line A	Conn. End to Center Line B	Link Plate		Pin Dia. E	Avg. Ultimate Strength Lbs.	Avg. Weight Lbs./Ft.
		Width W	Dia. D			Height H	Thickness T			
35SLB	.375	.187	.200	.228	.274	.346	.050	.118	2,360	0.22
40SLB	.500	.312	.312	.324	.406	.472	.060	.157	4,185	0.42
50SLB	.625	.374	.400	.400	.488	.591	.080	.200	6,850	0.68
60SLB	.750	.500	.469	.501	.601	.709	.094	.235	9,240	0.97
80SLB	1.000	.613	.625	.650	.781	.949	.125	.313	17,500	1.71
100SLB	1.250	.752	.750	.795	.913	1.185	.156	.376	25,300	2.65
120SLB	1.500	1.000	.875	1.005	1.174	1.421	.187	.437	37,500	3.79
C2040SLB	1.000	.312	.312	.324	.406	.472	.060	.157	4,185	0.32
C2050SLB	1.250	.374	.400	.400	.488	.591	.080	.200	6,850	.54
C2060HSLB	1.500	.500	.469	.567	.665	.709	.125	.235	9,240	.95
C2080HSLB	2.000	.625	.625	.720	.873	.950	.157	.312	15,152	1.60

* Allied-Locke offers SLHTM Series with thicker roller link sideplates.



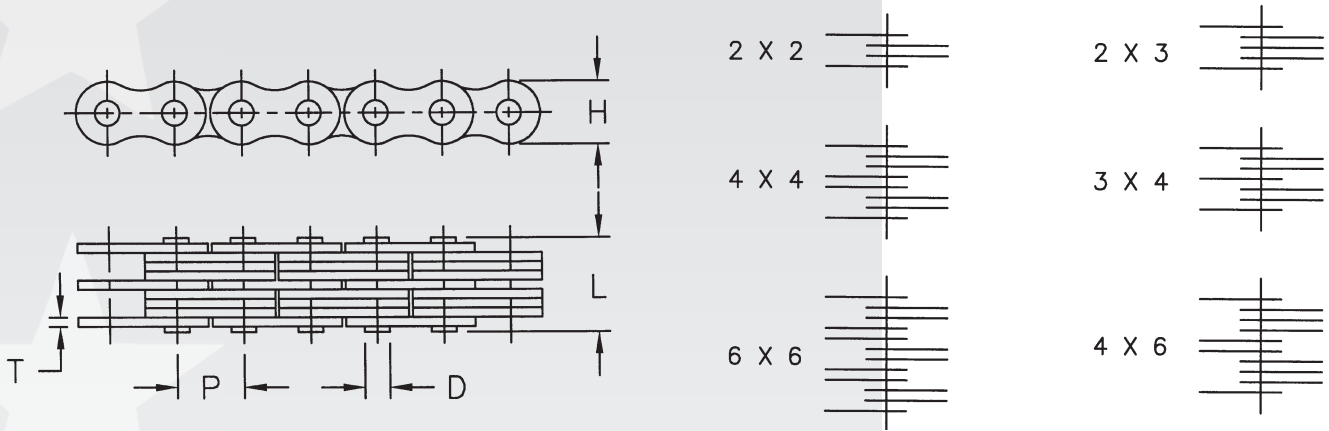
LEAF CHAIN "AL" SERIES

**ALLIED-LOCKE
INDUSTRIES**



AL SERIES LEAF CHAIN

Leaf chain consists of link plates and pins, and is used for suspension, counterweight, and transmission at low speed. Light duty leaf chain is best suited for applications where chain joints are not articulated frequently. AL series leaf chain pin link plates have the contour, pitch, and thickness of the pin link plates of the corresponding ANSI standard roller chain. AL series leaf chain is not covered by ASME standards.



Dimensions In Inches

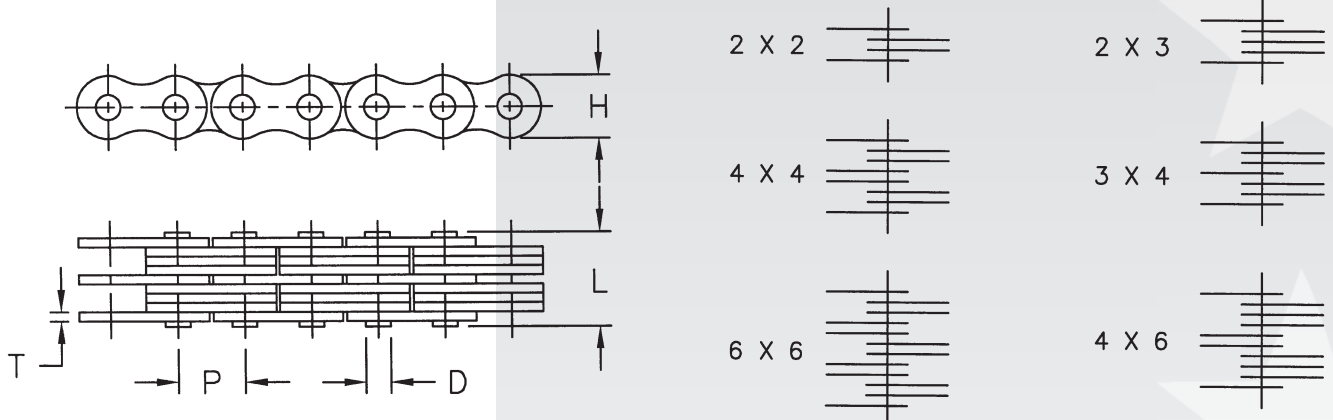
ANSI Chain No.	Pitch P	Lacing	Pin Length L	Link Plate		Pin Dia. D	Avg Ultimate Strength Lbs.	Avg. Weight Lbs./Ft.
				Height H	Thickness T			
				AL322	.375			
AL422	.500	2x2	.318	.409	.058	.156	3,970	0.24
AL444	.500	4x4	.572	.409	.058	.156	7,940	0.46
AL466	.500	6x6	.826	.409	.058	.156	11,910	0.69
AL522	.625	2x2	.414	.513	.079	.200	6,620	0.39
AL523	.625	2x3	.520	.513	.079	.200	6,620	0.45
AL544	.625	4x4	.748	.513	.079	.200	13,230	0.77
AL566	.625	6x6	1.082	.513	.079	.200	19,850	1.14
AL622	.750	2x2	.490	.615	.093	.234	9,270	0.53
AL644	.750	4x4	.880	.615	.093	.234	18,530	1.03
AL666	.750	6x6	1.270	.615	.093	.234	18,530	1.54
AL688	.750	8x8	1.660	.615	.093	.234	37,050	2.05
AL822	1.000	2x2	.654	.820	.125	.312	15,880	0.97
AL844	1.000	4x4	1.182	.820	.125	.312	31,760	1.89
AL866	1.000	6x6	1.710	.820	.125	.312	47,630	2.82
AL888	1.000	8x8	2.238	.820	.125	.312	63,510	3.74
AL1022	1.250	2x2	.802	1.025	.157	.375	22,000	1.80
AL1044	1.250	4x4	1.454	1.025	.157	.375	50,720	3.15
AL1066	1.250	6x6	2.106	1.025	.157	.375	74,970	4.70
AL1088	1.250	8x8	2.758	1.025	.157	.375	101,430	6.24
AL1222	1.500	2x2	.938	1.230	.189	.437	31,700	2.39
AL1244	1.500	4x4	1.718	1.230	.189	.437	65,270	4.19
AL1266	1.500	6x6	2.498	1.230	.189	.437	97,910	6.25





BL SERIES LEAF CHAIN

Heavy-duty leaf chain has the contour and pitch of the roller link plates of the equivalent ANSI standard roller chain, but the side plates have the thickness of the next larger pitch ANSI standard roller chain.



Dimensions In Inches

ANSI Chain No.	Pitch P	Lacing	Pin Length L	Link Plate		Pin Dia. D	Avg. Ultimate Strength Lbs.	Avg. Weight Lbs./Ft.
				Height H	Thickness T			
BL422	.500	2×2	.410	.475	.079	.200	5,720	0.37
BL423	.500	2×3	.498	.475	.079	.200	5,960	0.48
BL434	.500	3×4	.665	.475	.079	.200	8,930	0.67
BL444	.500	4×4	.750	.475	.079	.200	11,910	0.76
BL446	.500	4×6	.915	.475	.079	.200	11,910	0.95
BL466	.500	6×6	1.110	.475	.079	.200	17,870	1.14
BL522	.625	2×2	.480	.594	.093	.234	9,380	0.58
BL523	.625	2×3	.582	.594	.093	.234	9,380	0.71
BL534	.625	3×4	.777	.594	.093	.234	14,120	1.00
BL544	.625	4×4	.880	.594	.093	.234	18,750	1.14
BL546	.625	4×6	1.069	.594	.093	.234	18,750	1.41
BL566	.625	6×6	1.300	.594	.093	.234	28,120	1.69
BL622	.750	2×2	.630	.713	.125	.312	14,450	0.97
BL623	.750	2×3	.786	.713	.125	.312	14,450	1.19
BL634	.750	3×4	1.050	.713	.125	.312	22,050	1.65
BL644	.750	4×4	1.182	.713	.125	.312	29,110	1.88
BL646	.750	4×6	1.446	.713	.125	.312	29,110	2.33
BL666	.750	6×6	1.680	.713	.125	.312	43,660	2.79
BL822	1.000	2×2	.780	.950	.157	.375	23,160	1.55
BL823	1.000	2×3	.965	.950	.157	.375	23,160	1.92
BL834	1.000	3×4	1.290	.950	.157	.375	34,180	2.66
BL844	1.000	4×4	1.420	.950	.157	.375	46,310	3.04
BL846	1.000	4×6	1.780	.950	.157	.375	46,310	3.77
BL866	1.000	6×6	2.070	.950	.157	.375	66,150	4.52



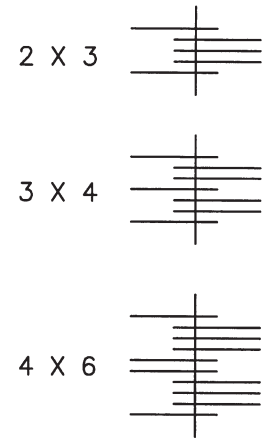
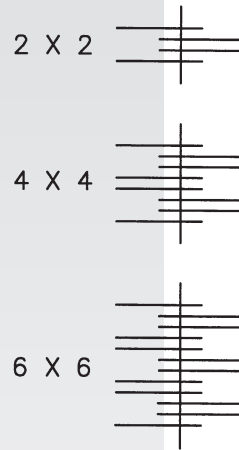
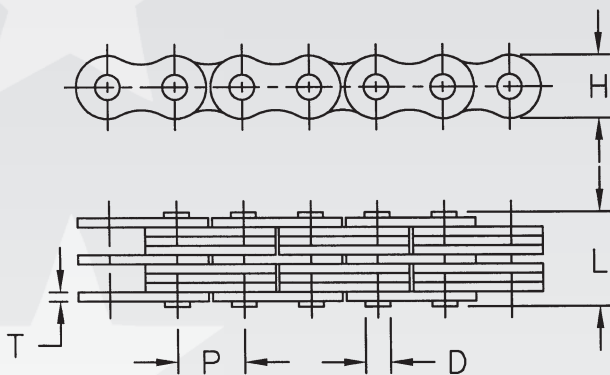
LEAF CHAIN "BL" SERIES

**ALLIED-LOCKE
INDUSTRIES**



BL SERIES LEAF CHAIN

Heavy-duty leaf chain has the contour and pitch of the roller link plates of the equivalent ANSI standard roller chain, but the side plates have the thickness of the next larger pitch ANSI standard roller chain.



Dimensions In Inches

ANSI Chain No.	Pitch P	Lacing	Pin Length L	Link Plate		Pin Dia. D	Avg. Ultimate Strength Lbs.	Avg. Weight Lbs./Ft.
				Height H	Thickness T			
BL1023	1.250	2×3	1.133	1.189	.189	.437	33,080	3.05
BL1034	1.250	3×4	1.523	1.189	.189	.437	49,620	4.23
BL1044	1.500	4×4	1.790	1.189	.189	.437	66,000	4.63
BL1046	1.250	4×6	2.108	1.189	.189	.437	66,150	6.01
BL1066	1.250	6×6	2.498	1.189	.189	.437	99,230	7.18
BL1088	1.250	8×8	3.288	1.189	.189	.437	132,300	7.49
BL1223	1.500	2×3	1.325	1.425	.219	.500	44,100	4.20
BL1234	1.500	3×4	1.783	1.425	.219	.500	66,150	5.84
BL1244	1.500	4×4	2.012	1.425	.219	.500	88,200	6.66
BL1246	1.500	4×6	2.470	1.425	.219	.500	88,200	8.29
BL1266	1.500	6×6	2.913	1.425	.219	.500	132,300	9.93
BL1434	1.750	3×4	2.020	1.663	.255	.563	79,380	7.86
BL1446	1.750	4×6	2.800	1.663	.255	.563	105,840	11.17
BL1466	1.750	6×6	3.354	1.663	.255	.563	158,760	13.39
BL1623	2.000	2×3	1.738	1.898	.281	.687	79,300	8.17
BL1634	2.000	3×4	2.334	1.898	.281	.687	124,500	11.39
BL1646	2.000	4×6	3.228	1.898	.281	.687	158,600	16.19
BL1666	2.000	6×6	3.803	1.898	.281	.687	238,300	19.31
BL1688	2.000	8×8	4.433	1.898	.281	.687	313,110	20.17

* Allied-Locke also offers 2.500" and 3.000" pitch leaf chains.

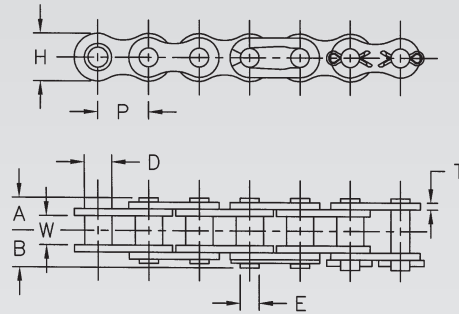




ROLLERLESS CHAIN STRAIGHT SIDEBAR CHAIN NON-STANDARD CHAIN

ROLLERLESS CHAIN

Rollerless chain has the same strength and size as ANSI standard chain. Designed to withstand continual wearing action, rollerless chain is ideal for lifting services or tension linkage applications. The numbering of the rollerless chain is given by substituting the last "0" with "5" as in the table below.



Dimensions In Inches										
ANSI Chain No.	Pitch P	Bushing		Riv. End to Center Line A	Conn. End to Center Line B	Link Plate		Pin Dia. E	Avg. Ultimate Strength Lbs.	Avg. Weight Lbs./Ft.
		Width W	Dia. D			Height H	Thickness T			
55	.625	.375	.278	.400	.455	.594	.079	.200	6,620	0.56
65	.750	.500	.330	.497	.551	.712	.093	.234	9,270	0.79
85	1.000	.625	.443	.645	.724	.950	.125	.312	15,880	1.40
105	1.250	.750	.535	.789	.941	1.190	.157	.375	25,360	2.24

STRAIGHT SIDEBAR CHAIN

Dimensions In Inches										
ANSI Chain No.	Pitch P	Roller		Riv. End to Center Line A	Conn. End to Center Line B	Link Plate		Pin Dia. E	Avg. Ultimate Strength Lbs.	Avg. Weight Lbs./Ft.
		Width W	Dia. D			Height H	Thickness T			
C40	.500	.312	.312	.321	.368	.475	.058	.156	3,970	0.44
C50	.625	.375	.400	.399	.455	.594	.079	.200	6,620	0.73
C60	.750	.500	.469	.497	.551	.712	.093	.234	9,270	1.03
C80	1.000	.625	.625	.645	.724	.950	.125	.312	15,880	1.82

* Allied-Locke offers Straight Sidebar chain through 160 series and in British Standard Sizes.

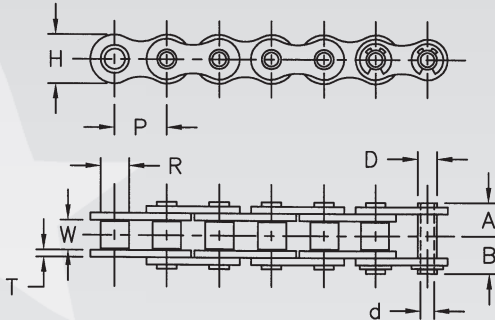
NON-STANDARD

Dimensions In Inches										
ANSI Chain No.	Pitch P	Roller		Riv. End to Center Line A	Conn. End to Center Line B	Link Plate		Pin Dia. E	Avg. Ultimate Strength Lbs.	Avg. Weight Lbs./Ft.
		Width W	Dia. D			Height H	Thickness T			
410(43)(65)	.500	.125	.305	.182	.226	.390	.040	.142	2,210	.19
415(42)	.500	.187	.305	.212	.256	.390	.040	.142	2,210	.22
415H	.500	.187	.305	.299	.299	.451	.058	.165	3,750	.33
420	.500	.250	.305	.328	.328	.457	.058	.156	3,970	.38
423	.500	.250	.335	.285	.328	.456	.058	.175	4,080	.40
428	.500	.312	.335	.361	.361	.456	.058	.175	4,080	.44
428H	.500	.312	.335	.406	.406	.456	.079	.175	5,080	.52
520	.625	.250	.400	.371	.371	.594	.079	.200	6,620	.60
530	.625	.375	.400	.444	.444	.594	.079	.200	6,620	.68



HOLLOW PIN CHAIN SIDE BOW CHAIN

**ALLIED-LOCKE
INDUSTRIES**



HOLLOW PIN (HP)

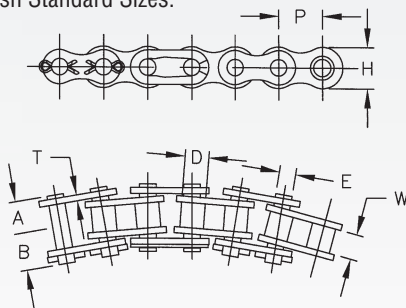
Hollow pin chain is identical to ANSI roller chain running on standard ANSI sprockets. The unique “hollow” pin feature provides superior conveyor versatility, allowing easy insertion of cross rods or attachments to preassembled chains at desired spacing.

“HP” is added to the chain numbers for identification.

Dimensions In Inches

Chain No.	Pitch P	Roller		Pin				Link Plate		Avg. Ultimate Strength Lbs.	Avg. Weight Lbs./Ft.
		Width W	Dia. R	Out Dia. D	Ins. Dia. d	Length		Height H	Thickness T		
						A	B				
40HP	.500	.312	.312	.224	.157	.327	.362	.475	.058	2,867	.35
50HP	.625	.375	.400	.287	.201	.404	.453	.594	.079	4,631	.55
60HP	.750	.500	.469	.331	.235	.508	.555	.712	.073	5,754	.67
80HP	1.000	.625	.625	.449	.318	.638	.758	.950	.125	11,466	1.41
C2040HP	1.000	.312	.312	.224	.157	.326	.353	.475	.058	2,870	0.28
C2042HP	1.000	.312	.625	.224	.157	.326	.353	.475	.058	2,870	0.56
C2050HP	1.250	.375	.400	.287	.201	.403	.427	.594	.079	4,640	0.48
C2052HP	1.250	.375	.750	.287	.201	.403	.427	.594	.079	4,640	0.86
C2060HP	1.500	.500	.469	.331	.235	.508	.548	.712	.093	5,960	0.68
C2062HP	1.500	.500	.875	.331	.235	.508	.548	.712	.093	5,960	1.24
C2080HP	2.000	.625	.625	.449	.318	.655	.693	.950	.125	11,470	1.71
C2082HP	2.000	.625	1.126	.449	.318	.655	.693	.950	.125	11,470	2.41

*Allied-Locke offers Hollow Pin chain in all corrosion resistant materials: Nickel Plated, Armor Coat, and Stainless Steel. Also available in British Standard Sizes.



SIDE BOW CHAIN (SB)

Side bow chain offers extra clearance between pins, bushings, and side-plates to allow flexibility around curves or in twists.

“SB” is added to the chain numbers for identification.

Dimensions In Inches

ANSI Chain No.	Pitch P	Roller		Riv. End to Center Line A	Conn. End to Center Line B	Link Plate		Pin Dia. E	Avg. Ultimate Strength Lbs.	Avg. Weight Lbs./Ft.
		Width W	Dia. D			Height H	Thickness T			
50SB	.625	.375	.400	.420	.475	.594	.079	.200	5,430	0.67
60SB	.750	.500	.469	.523	.578	.712	.093	.234	7,610	0.96
80SB	1.000	.625	.621	.676	.731	.950	.125	.312	12,790	1.70

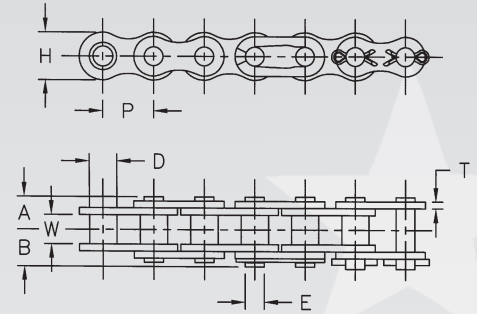
* Allied-Locke offers Sidebow chains through 160SB.





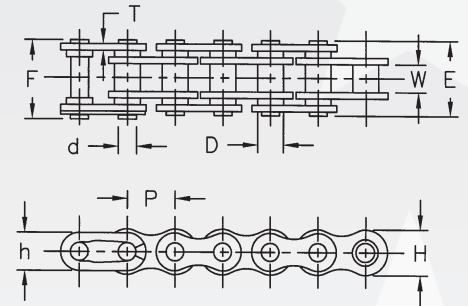
HOIST CHAIN O-RING CHAIN CHAIN DETACHERS

Our hoist chains are manufactured with special pins of carbon alloy steel and through hardened, giving these chains a higher working load capacity and offering additional resistance to fatigue. Hoist chains work well for extra-capacity and slow speed hoist applications dimensionally equal to standard 50 and 60 ANSI chains, but will give less wear life than the standard equivalent size.



HOIST CHAIN

SINGLE STRAND		Dimensions In Inches								
ANSI Chain No.	Pitch P	Roller		Riv. End to Center Line A	Conn. End to Center Line B	Link Plate		Pin Dia. E	Avg. Ultimate Strength Lbs.	Avg. Weight Lbs./Ft.
		Width W	Dia. D			Height H	Thickness T			
50 HOIST (625)	.625	.375	.400	.397	.455	.594	.079	.200	7,500	.68
60 HOIST (750)	.750	.500	.469	.497	.551	.712	.093	.234	10,500	.97



O-RING CHAIN

Dimensions In Inches											
ANSI Chain No.	Pitch P	Roller		Pin			Link Plate			Avg. Ultimate Strength Lbs.	Avg. Weight Lbs./Ft.
		W	D	d	E	F (max.)	T	H	h		
40	.500	.313	.312	.156	.788	.788	.059	.472	.409	4,080	0.45
50	.625	.375	.400	.200	.921	.933	.078	.591	.512	6,770	0.73
60	.750	.500	.469	.234	1.134	1.174	.094	.713	.614	9,640	1.09
80	1.000	.625	.625	.312	1.442	1.532	.126	.949	.819	16,320	1.90

CHAIN DETACHERS

Model	Chain Sizes
CB 35-50	#35 to #50
CB 60-100	#60 to #100



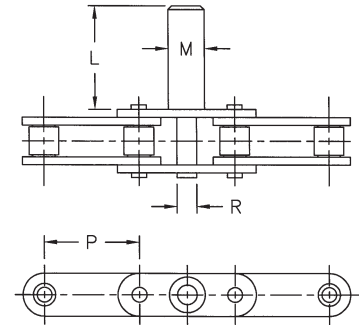
CITRUS CHAIN SORTING CHAIN CATERPILLAR CHAIN

**ALLIED-LOCKE
INDUSTRIES**



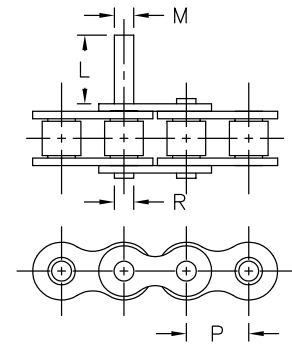
C2060H D-5 ATTACHMENT

Dimensions In Inches						
ANSI No.	Attachment	Pitch	L	M	R	Weight Lbs./Ft.
		P				
C2060H	D-5 (.500×1.625)	1.500	1.625	.500	.312	1.60
C2060H AC	D-5 (.500×1.625)	1.500	1.625	.500	.218	1.62
C2060H SS	D-5 (.500×1.625)	1.500	1.625	.500	.312	1.60
C2060H	D-5 (.5625×1.625)	1.500	1.625	.563	.312	1.62
C2060H SS	D-5 (.5625×1.625)	1.500	1.626	.563	.310	1.62



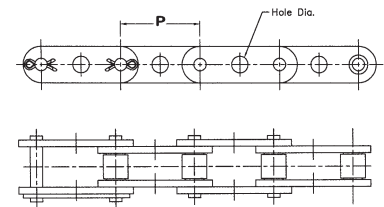
80R D-5 ATTACHMENT

Dimensions In Inches						
ANSI No.	Attachment	Pitch	L	M	R	Weight Lbs./Ft.
		P				
80R D5 ev. 2nd	D-5 (.500×1.625)	1.000	1.625	.500	.312	2.25
80SS D5 ev. 2nd	D-5 (.500×1.625)	1.000	1.625	.500	.312	2.25
80R D5 ev. 3rd	D-5 (.500×1.625)	1.000	1.625	.500	.312	2.07
80SS D5 ev. 3rd	D-5 (.5625×1.625)	1.000	1.625	.563	.312	2.07



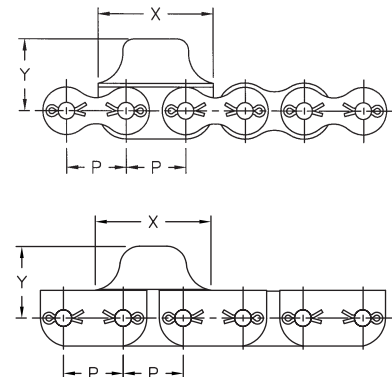
C2050/C2060H/C2080H W/G1 ATTACHMENT

ANSI No.	ATTACHMENT	P	Hole Diam.	Weight Lbs./Ft.
C2050	G1	1.250	.250	.53
C2060H	G1	1.500	.315	.96
C2060H	G1	1.500	.330	.95
C2080H	G1	2.000	.315	1.58



160 CATERPILLAR CHAIN

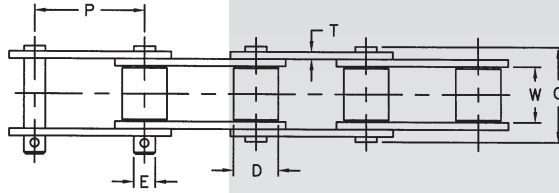
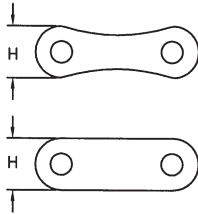
Dimensions In Inches				
ANSI No. Description	Pitch	Attach. Length	Attach. Height	Weight Lbs./Ft.
	P	X	Y	
160 CT w/348 DOG ev. 6th	2.000	3.888	2.139	7.30
160 CT w/458 DOG ev. 4th	2.000	3.876	2.391	8.30
160 CT w/678 DOG ev. 6th	2.000	5.129	3.021	8.92
160 CT w/678 DOG & Cam Bearings	2.000	5.129	3.021	n/a
C160 CT w/458 DOG ev. 4th	2.000	3.876	2.381	8.53
C160 CT w/678 DOG ev. 6th	2.000	5.129	3.021	9.15





**ALLIED-LOCKE
INDUSTRIES**

AGRICULTURAL ROLLER CHAIN



DRIVE CHAIN



CONVEYOR CHAIN



Allied Locke's agricultural roller chain is available in drive series and conveyor series. It is manufactured of hardened steel parts to precise tolerances. This chain is fabricated of high quality materials which increase the strength of our chain, providing longer life within their service range.

Allied Locke's agricultural roller chains meet the demands of today's larger equipment and exceed industry standards. Our agricultural chains have been trusted for more than 50 years in many applications such as corn gathering, elevator feed stations, forage harvesters and grain handling.

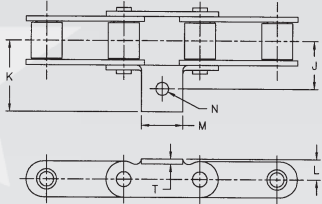
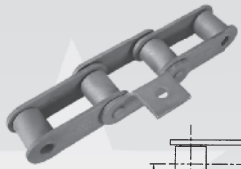
Our agricultural roller chain is carefully engineered and manufactured for long life and reduced wear.

Chain Size	Pitch	Roller		Overall Width C		Link Plate		Pin Diam. E	Avg. Ultimate Strength Lbs.
		W Width	D Diam.	Riv.	Cott.	Height H	Thick T		
DRIVE SERIES	P								
A550	1.630	.797	.656	1.420	1.563	.750	.105	.281	11,250
A555	1.630	.500	.656	1.172	1.250	.750	.125	.281	11,250
A557	1.630	.797	.700	1.469	1.594	.906	.125	.315	16,500
A620	1.654	.984	.696	1.641	1.844	.750	.125	.281	12,000
CONVEYOR SERIES									
CA550	1.630	.797	.656	1.420	1.563	.750	.105	.281	11,250
CA550HD	1.630	.797	.656	1.516	1.594	.813	.120	.316	15,250
CA555	1.630	.500	.656	1.172	1.250	.750	.125	.281	11,250
CA557	1.630	.797	.700	1.469	1.594	.906	.125	.315	16,500
CA565	1.630	.740	.698	1.620	1.745	1.000	.178	.345	18,000
CA620	1.654	.984	.696	1.641	1.844	.750	.125	.281	12,000
CA627	1.181	.766	.625	1.404	1.529	.813	.118	.326	12,500



AGRICULTURAL ROLLER CHAIN ATTACHMENTS

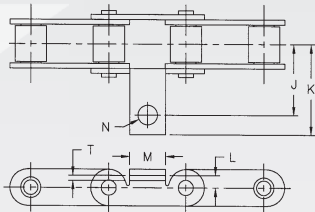
ALLIED-LOCKE
INDUSTRIES



A1, A1S, A1W, A29

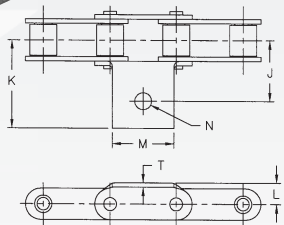
Dimensions							
Chain Size	Attachment No.	J	K	L	M	N	T
CA550	A1	1.000	1.484	.422	.875	.266	.105
CA620	A1	1.234	1.563	.453	.875	.266	.125
CA620	A1S	1.234	1.563	.453	.875	.328	.125
CA620	*A1W	1.625	2.094	.625	2.375	.391	.125
CA557	A29	1.000	1.493	.563	1.125	.391	.125

*Weld on attachment



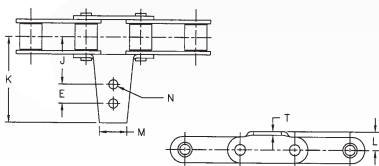
A1D

Dimensions							
Chain Size	Attachment No.	J	K	L	M	N	T
CA550	A1D	1.469	1.875	.250	.750	.344	.105



A4

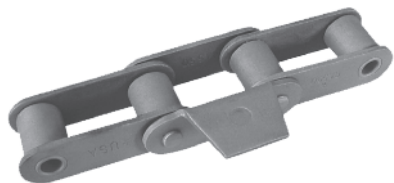
Dimensions							
Chain Size	Attachment No.	J	K	L	M	N	T
CA550	A4	1.469	2.125	.625	1.50	.406	.187
CA557	A4	1.500	2.156	.625	1.50	.406	.187



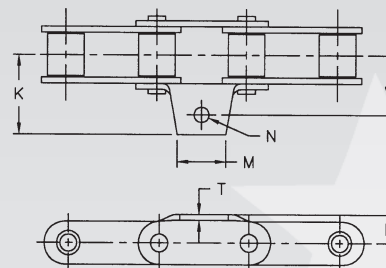
A12

Dimensions								
Chain Size	Attachment No.	E	J	K	L	M	N	T
CA620	A12	.625	1.375	2.500	.531	.813	.266	.125





A18, A19, A25, A27, A29

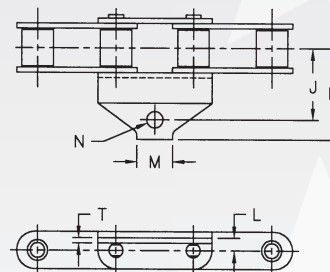


Dimensions							
Chain Size	Attachment No.	J	K	L	M	N	T
CA550	A18	1.063	1.531	.500	.875	.266	.105
A550	A19*	1.000	1.406	.500	.875	.266	.105
CA550	A19*	1.000	1.594	.500	.875	.266	.105
A550	A25*	1.000	1.406	.500	.875	.328	.105
CA550	A27	1.063	1.406	.500	.875	.328	.105
CA550	A29	1.000	1.406	.500	.875	.391	.105

*Inner attachments available.



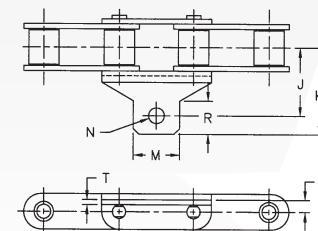
AH



Dimensions							
Chain Size	Attachment No.	J	K	L	M	N	T
CA550	AH	1.469	1.875	.250	.750	1.031	.105



AHM

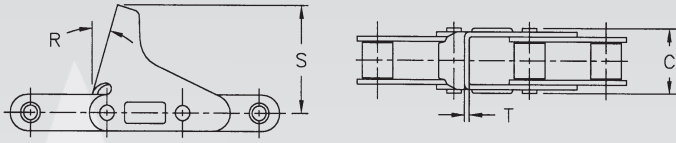


Dimensions								
Chain Size	Attachment No.	J	K	L	M	N	R	T
CA550	AHM	1.469	1.875	.250	1.000	.344	.750	.105



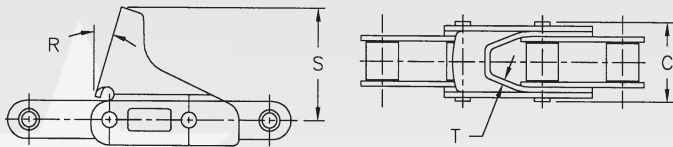
AGRICULTURAL ROLLER CHAIN ATTACHMENTS

**ALLIED-LOCKE
INDUSTRIES**



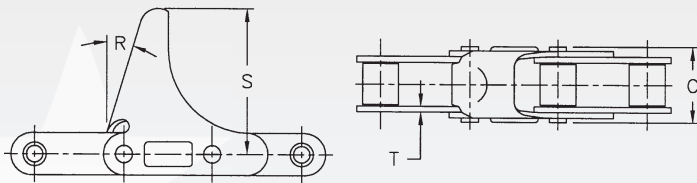
C5E

Att. No.	Chain No.	C	R	S	T
C5E	CA550	1.234	15°	2.250	.105
C5E	CA555	1.047	15°	2.250	.125



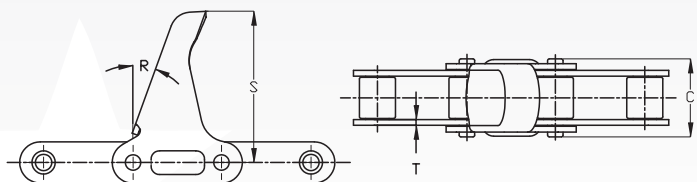
C5EB

Att. No.	Chain No.	C	R	S	T
C5EB	CA550	1.484	15°	2.250	.105



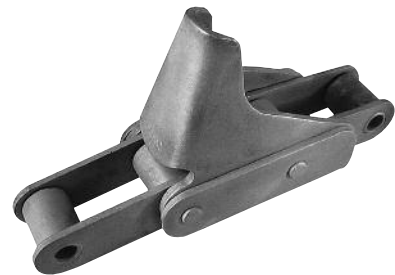
C6E

Att. No.	Chain No.	C	R	S	T
C6E	CA555	1.047	15°	2.625	.125



CDE

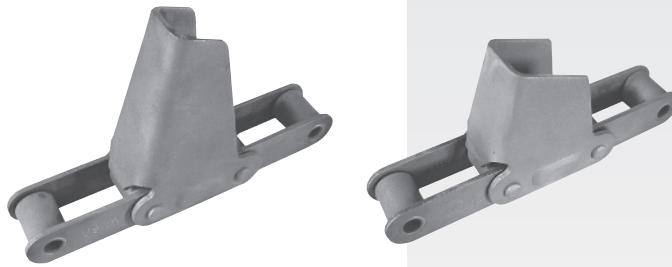
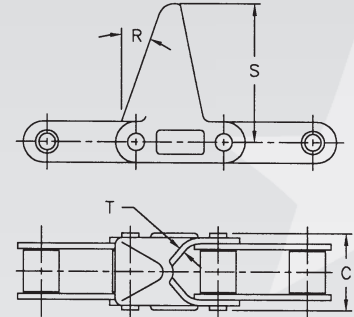
Att. No.	Chain No.	C	R	S	T
CDE	CA550	1.420	20°	2.750	.105





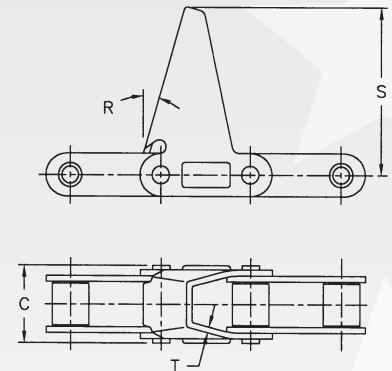
C11E, C13E, C14E

Att. No.	Chain No.	C	R	S	T
C11E	CA550	1.266	17°	2.500	.105
C13E	CA550	1.266	15°	3.625	.105
	CA620	1.531	15°	3.625	.125
C14E	CA620	1.531	25°	2.656	.125



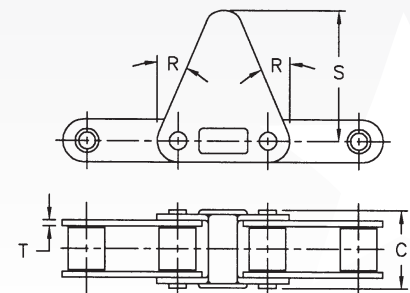
C12E, C17E, C19E, CPE

Att. No.	Chain No.	C	R	S	T
C12E	CA550	1.266	9°	2.375	.105
C17E	CA550	1.266	15°	3.000	.105
C19E	CA550	1.266	15°	2.000	.105
CPE	CA550	1.266	20°	2.547	.105



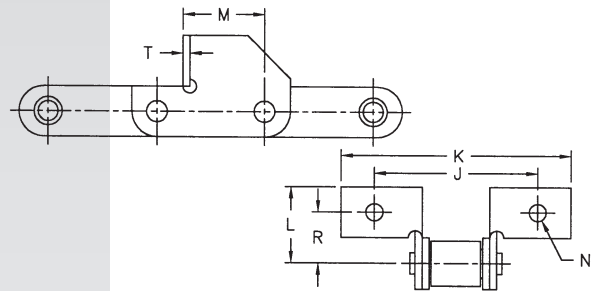
C30E

Att. No.	Chain No.	C	R	S	T
C30E	CA620	1.531	22.5°	2.313	.125



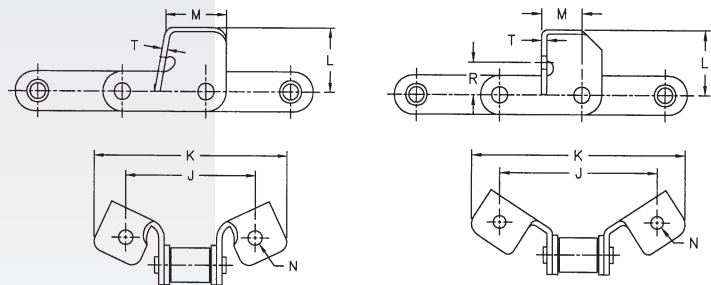
AGRICULTURAL ROLLER CHAIN ATTACHMENTS

**ALLIED-LOCKE
INDUSTRIES**



F1, F4, F4S, F4A

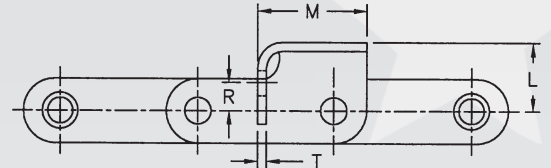
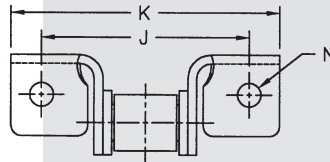
Att. No.	Chain No.	J	K	L	M	N	R	T
F1	CA550	2.438	3.438	1.500	1.250	.266	.750	.105
F4	CA550	1.875	2.688	1.688	1.453	.328	1.219	.105
F4A	CA550	1.875	2.688	1.688	1.453	.406	1.219	.105
F4S	CA550	2.125	2.969	1.688	1.453	.406	1.406	.105



F5, F5S, F13, F14, F14S, F15, F16, F17, F18

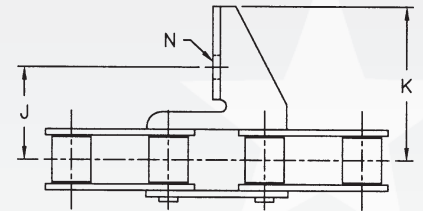
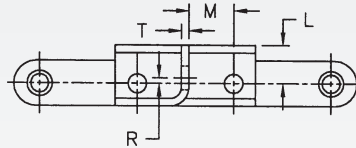
Att. No.	Chain No.	J	K	L	M	N	R	T	S
F5	CA550	3.125	4.000	1.250	.797	.234	.625	.105	57°
F5S	CA550	3.125	4.000	1.250	.797	.266	.625	.105	57°
F13	CA550	3.125	5.250	2.234	1.375	.344	1.125	.125	35°
	CA550HD	3.125	5.346	2.332	1.600	.344	1.125	.125	35°
F14	CA550	3.125	4.000	1.250	.797	.328	.625	.105	57°
F14S	CA550	3.125	4.000	1.250	.797	.406	.625	.105	57°
F15	CA550HD	5.280	8.020	3.673	1.125	.344	2.063	1.250	40°
F15M	CA550HD	5.280	8.020	3.673	1.125	.406	2.063	1.250	40°
F16	CA550	2.500	3.750	.906	.281	.563	.563	.105	65°
	CA550HD	3.125	4.320	1.970	1.350	.328	1.125	.125	22°
F17	CA550	4.500	5.578	1.625	1.375	.391	.813	.105	65°
F18	CA550	3.125	4.200	1.360	1.220	.344	.625	.125	57°





G17-2

Att. No.	Chain No.	J	K	L	M	N	R	T
G17-2	CA550	2.500	3.328	.750	1.250	.281	.500	.105



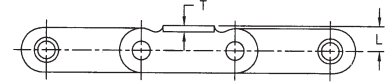
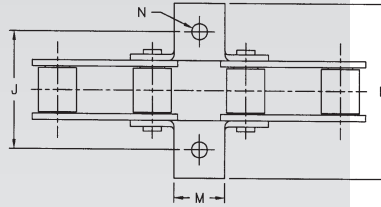
G50A

Att. No.	Chain No.	J	K	L	M	N	R	T
G50A	CA550	1.563	2.156	.625	.750	.391	.094	.125



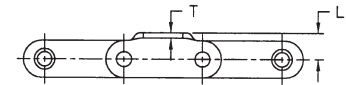
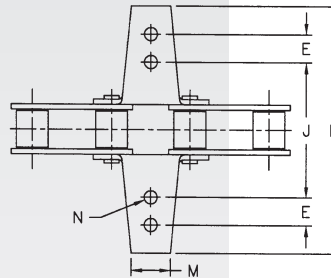
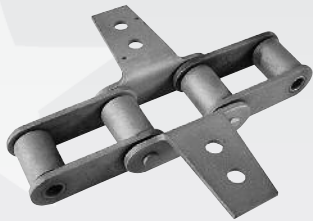
AGRICULTURAL ROLLER CHAIN ATTACHMENTS

**ALLIED-LOCKE
INDUSTRIES**



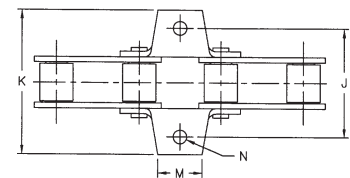
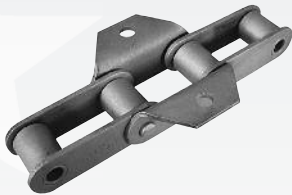
K1

Att. No.	Chain No.	J	K	L	M	N	T
K1	CA550	2.000	2.656	.422	.875	.266	.105
	CA620	2.469	3.156	.453	.875	.266	.125
K1S	CA620	2.469	3.156	.453	.875	.328	.125



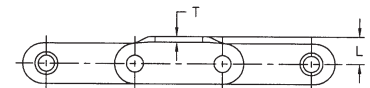
K12

Att. No.	Chain No.	E	J	K	L	M	N	T
K12	CA620	.625	2.750	5.125	.938	.875	.266	.125



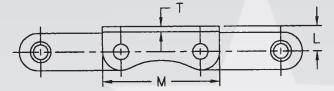
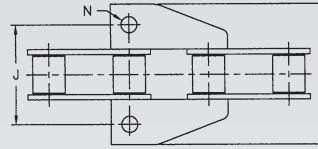
K18, K19, K25, K27, K29, K27S

Att. No.	Chain No.	J	K	L	M	N	T
K18	CA550	2.125	2.813	.500	.875	.266	.105
K19	A550*	2.000	2.813	.500	.875	.266	.105
	CA550*	2.000	3.063	.500	.875	.266	.105
K25	A550*	2.000	2.813	.500	.875	.328	.105
K27	CA550	2.125	2.813	.500	.875	.328	.105
K27S	CA550	2.125	2.813	.500	.875	.391	.105
	A557	2.250	3.125	.563	1.125	.516	.125
K29	CA550	2.000	2.813	.500	.875	.391	.105
K29	CA557	2.000	2.906	.563	1.125	.391	.125



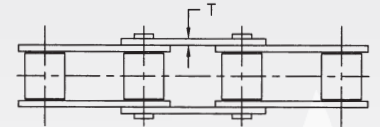
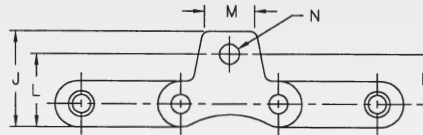
*Inner attachments available.





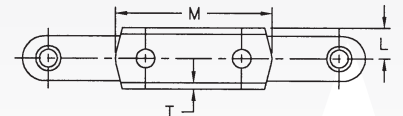
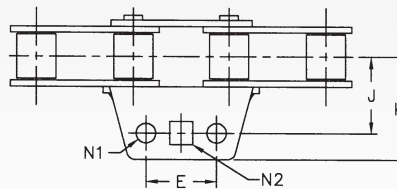
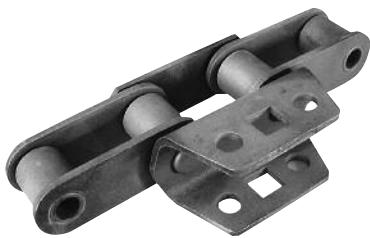
K39, K39M, K35, K35M

Att. No.	Chain No.	J	K	L	M	N	T
K39	A550	2.000	2.813	.474	2.380	.328	.105
K39M	A550	2.000	2.813	.484	2.380	.390	.105
K35	A557	2.000	2.894	.555	2.670	.343	.125
K35M	A557	2.000	2.894	.555	2.670	.406	.125
K39	A557	2.250	2.910	.555	2.670	.343	.125
K39M	A557	2.250	3.110	.555	2.670	.390	.125



M25

Att. No.	Chain No.	J	K	L	M	N	T
M25	CA550	1.563	.808	1.183	.875	.328	.105



U16

Att. No.	Chain No.	E	J	K	L	M	N1	N2	T
U16	CA557	1.187	1.281	1.719	.594	2.625	.328	.391	.120



AGRICULTURAL SLATS, FLIGHTS, AND ASSEMBLIES

ALLIED-LOCKE
INDUSTRIES



Allied-Locke maintains complete stock on all standard Corn Picker Gathering Chains and Flight Assemblies. Ask for our separate catalog page listing all Corn Head Gathering Chains. In addition, our engineering department will assist you in developing new designs for any special or experimental applications.

Conveyor, elevator, spreader and forage wagon flights are available completely assembled on chains for greater convenience in installation—saving both time and money. Double-strand chains are carefully matched to ensure uniform length and proper alignment of the attachments.



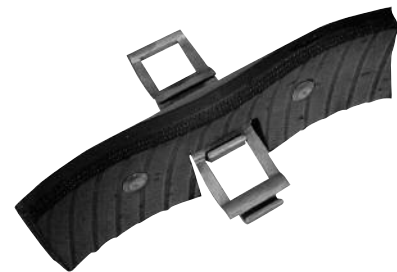
SLATS



**AG ROLLER
CHAIN FLIGHTS**



**GATHERING CHAIN
ASSEMBLIES**



**STEEL DETACHABLE
CHAIN FLIGHTS**





**ALLIED-LOCKE
INDUSTRIES**

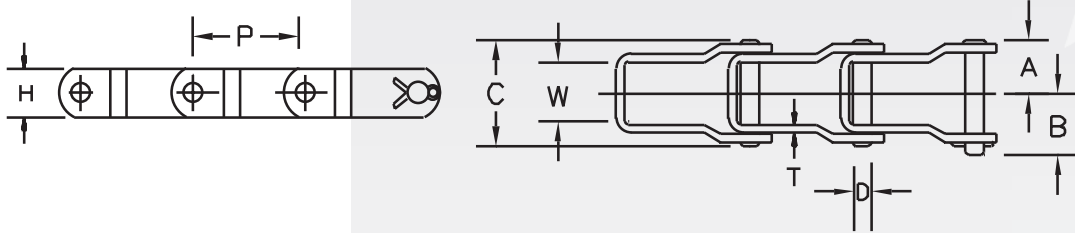
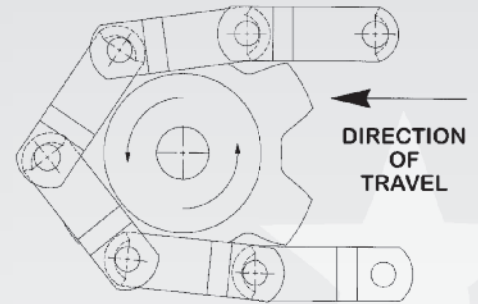
STEEL PINTLE CHAIN

Steel Pintle Chain



Allied-Locke Steel Pintle Chain is designed for dependability and quality, at a great price. The Allied-Locke Steel Pintle Chain is well suited for a wide range of applications, such as salt-sand-fertilizer spreaders, bunk feeders, hay handling equipment and other similar conveying systems.

Allied-Locke Steel Pintle Chains feature all heat treated parts with quad staked pins. The open barrel construction minimizes pin surface contact with the barrel, eliminating freezing due to corrosion. The open barrel design eliminates material build up in the roots of sprockets. This assures smoother operation, uniform link wear, greater resistance to fatigue and longer service life.



Pintle Chain Also Available in Stainless Steel.

Chain Size	Links Per 10'	Wt. Per 10'Lbs.	Min. Avg. Tensile Strength Lbs.	Pitch	Rivet Length	Inside Width	Pin Dia.	Height	Thickness	Connector Length	
				P	C	W	D	H	T	A	B
AL662	72	10.5	8,500	1.664	1.609	.906	.281	.719	.125	.797	.885
AL662H	72	16.5	9,500	1.664	1.828	.871	.312	.875	.172	.900	.940
AL667H	52	11.7	9,500	2.313	1.734	1.000	.312	.875	.125	.913	.937
AL667X	53	18.6	15,000	2.250	1.953	1.063	.437	.937	.172	1.007	1.150
AL667K	53	24.4	20,000	2.250	2.220	1.078	.437	1.062	.200	1.090	1.272
AL667XH	53	28.0	26,000	2.250	2.260	1.078	.468	1.062	.224	1.196	1.329
AL88C	46	33.6	30,000	2.609	2.595	1.250	.500	1.125	.250	1.353	1.523
AL88K	46	23.0	20,000	2.609	2.222	1.078	.437	1.062	.200	1.090	1.272
AL88XH	46	33.2	26,000	2.609	2.595	1.250	.500	1.125	.250	1.163	1.523
AL88W	46	38.0	30,000	2.609	2.599	1.250	.562	1.320	.250	1.352	1.513
AL308	40	57.0	50,000	3.075	2.625	1.310	.625	1.500	.310	1.500	1.730
AL58	30	55.0	50,000	4.000	3.359	2.031	.625	1.500	.310	1.870	2.090



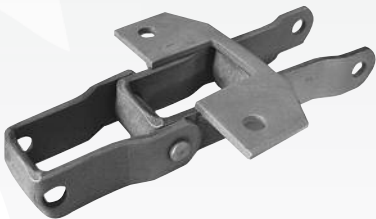
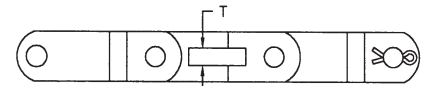
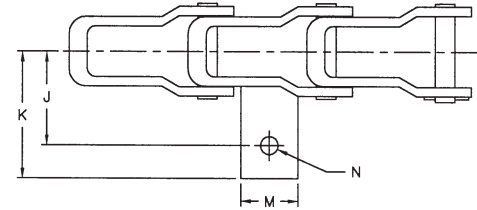
STEEL PINTLE CHAIN ATTACHMENTS

**ALLIED-LOCKE
INDUSTRIES**



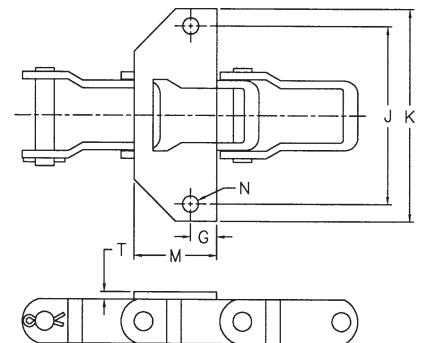
AE, AS, AES, AC

Attachment	Chain No.	J	K	M	N	T
AS	AL662	1.375	1.891	.938	.266	.188
AS	AL667H	2.031	2.594	1.125	.328	.250
AS	AL667X	2.031	2.688	1.125	.328	.313
AS	AL667XH	2.031	2.750	1.250	.391	.375
AS	AL88K	2.031	2.750	1.250	.391	.375
AS	AL88XH	2.031	2.813	1.250	.391	.375
AES	AL662	1.375	1.891	.938	.406	.188
AES	AL667H	2.031	2.594	1.125	.391	.250
AES	AL667X	2.031	2.688	1.125	.391	.313
AES	AL667XH	2.031	2.750	1.125	.453	.375
AES	AL88XH	2.031	2.813	1.125	.453	.375
AE	AL667XH	2.031	2.750	1.250	.328	.375
AC	AL88XH	2.031	2.813	1.250	.500	.375



AK1

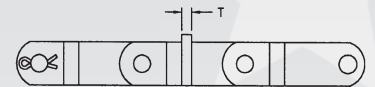
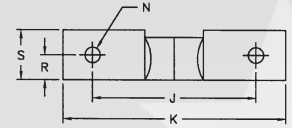
Attachment	Chain No.	G	J	K	M	N	T
AK1	AL662	.438	2.938	3.500	1.375	.266	.125





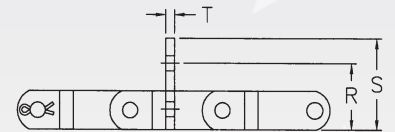
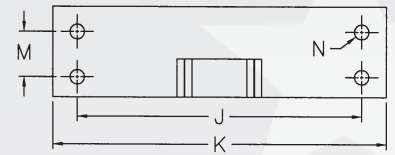
FS5

Att. No.	Chain No.	Dimensions					
		J	K	N	R	S	T
FS5	AL88K	4.125	5.625	.391	.625	1.250	.250



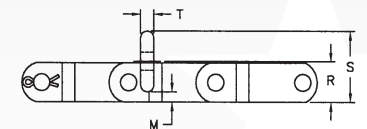
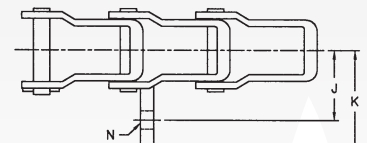
F50

Att. No.	Chain No.	Dimensions						
		J	K	M	N	R	S	T
F50	AL88XH	8.00	9.38	1.25	.410	1.25	1.81	.250



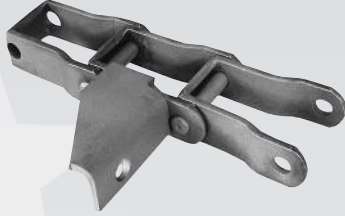
G30S

Att. No.	Chain No.	Dimensions					
		J	K	N	R	S	T
G30S	AL662	1.313	1.891	.344	.750	1.313	.250



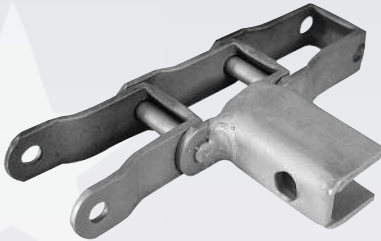
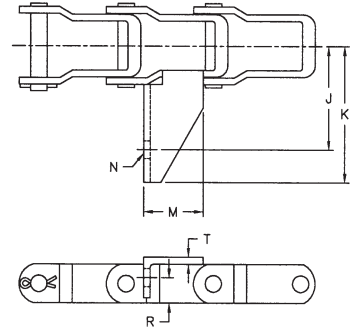
STEEL PINTLE CHAIN ATTACHMENTS

**ALLIED-LOCKE
INDUSTRIES**



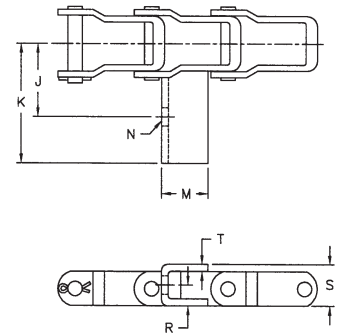
G38

Att. No.	Chain No.	Dimensions					
		J	K	M	N	R	T
G38	AL662	1.938	2.547	1.125	.328	.469	.125



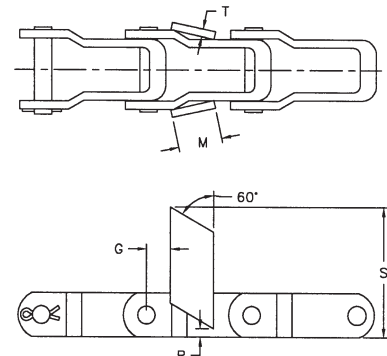
G50, G50M

Att. No.	Chain No.	Dimensions						
		J	K	M	N	R	S	T
G50	AL662	1.563	2.156	.910	.328	.438	.875	.148
G50	AL667X	1.563	2.281	.910	.328	.438	.875	.148
G50M	AL662	1.563	2.547	1.000	.390	.438	.875	.148
G50M	AL662H	1.805	2.547	.910	.390	.438	.875	.148
G50M	AL667H	1.984	2.593	1.000	.328	.438	.875	.148
G50M	AL667X	1.063	2.672	1.000	.390	.438	.875	.148



HB4

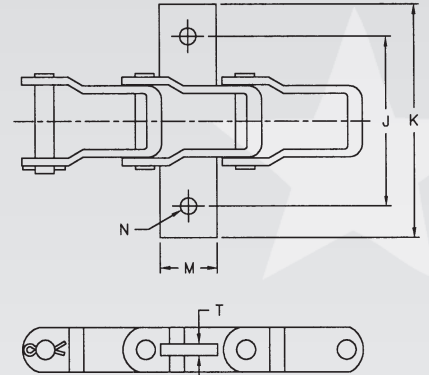
Att. No.	Chain No.	Dimensions				
		G	M	R	S	T
HB4	AL667X	.594	.750	.000	2.160	.188
	AL88K	.594	.750	.350	2.531	.188





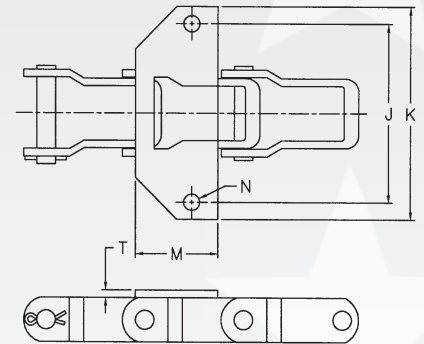
KS

Att. No.	Chain No.	Dimensions				
		J	K	M	N	T
KS	AL662	2.750	3.781	.938	.266	.188
KS	AL667H	4.063	5.188	1.125	.328	.250
KS	AL667X	4.063	5.375	1.125	.328	.313
KS	AL667XH	4.063	5.456	1.250	.391	.375
KS	AL88XH	4.063	5.750	1.250	.391	.375



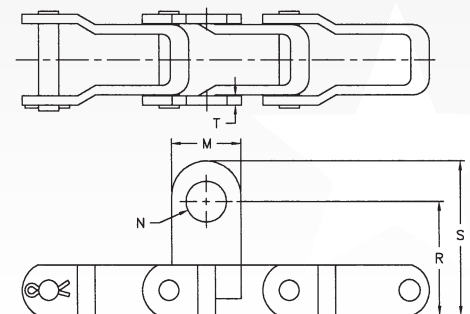
K1

Att. No.	Chain No.	Dimensions				
		J	K	M	N	T
K1	AL662	2.469	3.281	1.281	.266	.125
K1	AL667H	2.469	3.281	1.281	.266	.125
K1	AL667X	2.469	3.281	1.281	.266	.125
K1	AL667XH	2.469	3.281	1.281	.266	.125



M2

Att. No.	Chain No.	Dimensions				
		M	N	R	S	T
M2	AL88K	1.500	.875	2.406	3.281	.313



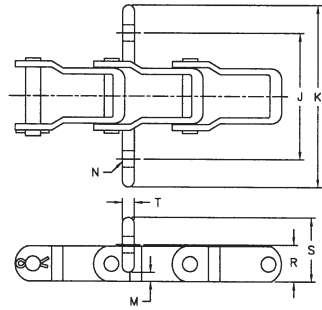
STEEL PINTLE CHAIN ATTACHMENTS

**ALLIED-LOCKE
INDUSTRIES**



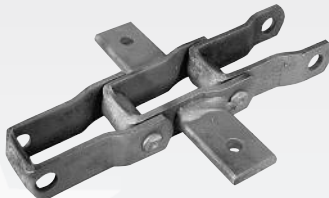
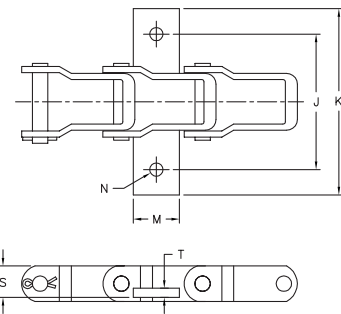
KG30S

Att. No.	Chain No.	Dimensions				
		J	K	M	N	T
KG30S	AL662	2.625	3.813	.188	.344	.250



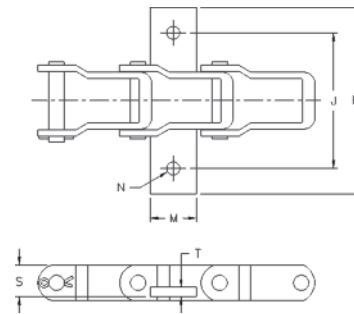
K1S

Att. No.	Chain No.	Dimensions					
		J	K	M	N	S	T
K1S	AL667XH	3.750	4.658	1.125	.375	.875	.250
K1S	AL88XH	3.750	4.762	1.125	.375	.995	.250



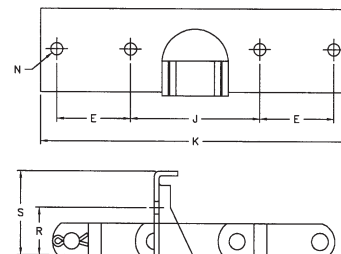
KSB

Att. No.	Chain No.	Dimensions					
		J	K	M	N	S	T
KSB	AL667X	4.063	5.375	1.125	.328	.891	.313
KSB	AL667XH	4.063	5.456	1.250	.391	.890	.375
KSB	AL88XH	4.063	5.750	1.250	.391	.948	.375



SFE LINK

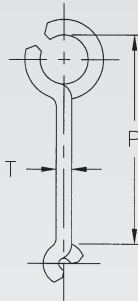
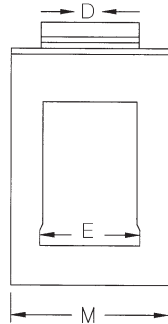
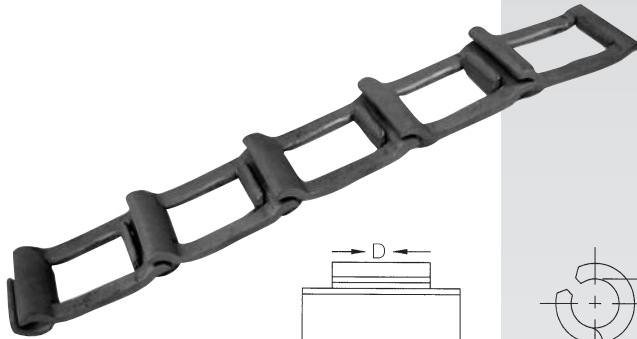
Att. No.	Chain No.	Dimensions						
		E	J	K	N	R	S	T
SFE	AL667H	2.000	3.500	8.375	.328	1.250	2.219	.125





**ALLIED-LOCKE
INDUSTRIES**

STEEL DETACHABLE CHAIN



Allied-Locke detachable chain is made from special analysis hot rolled strip steel. The links are precision formed for pitch uniformity and heat treated to assure high strength and long wear life.

The links can easily be assembled or disassembled by flexing the chain and tapping the link in or out. The chain should always be operated with the closed side of the barrel against the sprocket. Steel detachable chain is designed for moderate loads and speeds. Plain chain is used for transmission drives and with interspersed attachments for conveying applications. This type of chain is very economical and easy to install and repair.

Chain Number	Links in 10 Feet	Approx. Wt. Lbs. Per 100 Ft.	Average Ultimate Strength Lbs.	Minimum Tensile Strength Lbs.	P	M	E	D	T
25	133	20	950	760	.904	.703	.438	.422	.073±.006
32	104	32	1650	1320	1.157	.938	.610	.594	.090±.006
32W	104	39	1650	1320	1.157	1.063	.610	.594	.079±.006
33	86	39	1650	1320	1.402	1.938	.627	.610	.095±.006
42	87	50	2300	1680	1.375	1.219	.800	.781	.105±.006
50H	87	63	2600	2240	1.375	1.281	.798	.781	.125±.006
51	106	40	2100	1680	1.133	1.094	.720	.703	.105±.006
52	80	66	2700	2160	1.508	1.406	.760	.840	.125±.006
55	74	62	2800	2240	1.630	1.281	.813	.796	.125±.006
62	73	90	4200	3520	1.654	1.563	1.002	.984	.148±.007
62A	72	131	5500	4000	1.664	1.938	1.002	.984	.172±.007
62H	73	112	4400	3600	1.654	1.875	1.002	.984	.148±.007
67H	52	137	5500	4400	2.313	1.875	1.110	1.093	.185±.007
67XH	52	145	6800	5500	2.313	1.875	1.110	1.093	.200±.010
67W	52	144	4800	3800	2.313	2.375	1.110	1.093	.148±.007
70	60	130	4800	4000	2.013	1.938	1.110	1.093	.172±.007
72	59	131	4800	4000	2.025	1.938	1.110	1.093	.172±.007
S	41	130	4800	3840	2.906	1.938	1.116	1.093	.172±.007
72 1/2	73	115	4500	3600	1.643	2.000	1.172	1.156	.148±.007

Tolerances for 10' section of SDC are +3/8", -1/8"



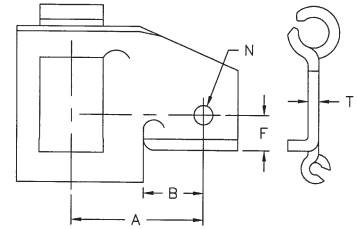
STEEL DETACHABLE CHAIN ATTACHMENT LINKS

**ALLIED-LOCKE
INDUSTRIES**



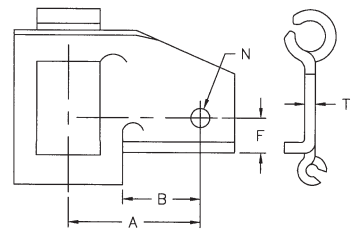
AE & AE3/RIGHT & LEFT

Att. No.	Chain No.	A	B	F	N	T
AE	67H	2.031	.906	.563	.328	.185
AE3	67H	2.031	.906	.563	.391	.185
	67XH	2.031	.906	.563	.391	.200



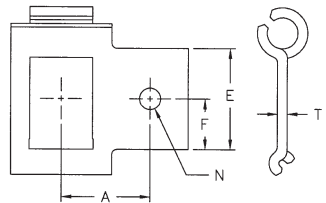
AS/RIGHT & LEFT

Att. No.	Chain No.	A	B	F	N	T
AS	67H	2.031	1.094	.563	.328	.185
AS	67XH	2.031	1.094	.563	.328	.200



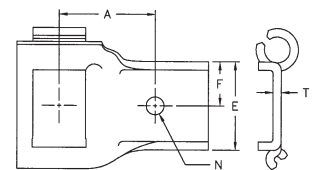
A1/RIGHT & LEFT

Att. No.	Chain No.	A	E	F	N	T
A1	42	1.094	.906	.453	.266	.105
	55	1.125	1.063	.531	.266	.125
	62	1.375	1.375	.688	.266	.148



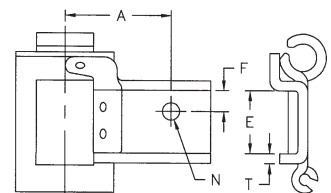
A2/RIGHT & LEFT

Att. No.	Chain No.	A	E	F	N	T
A2	55	1.453	1.125	.625	.266	.125
	62	1.563	1.250	.625	.266	.148



A2W/RIGHT & LEFT

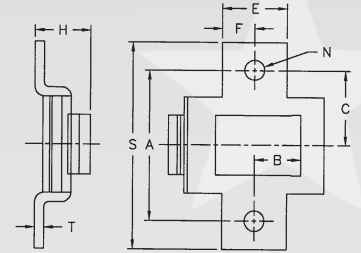
Att. No.	Chain No.	A	E	F	N	T
A2W	67H	2.031	1.188	.547	.328	.125





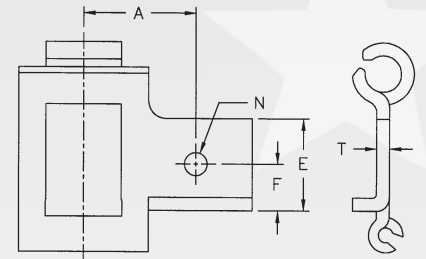
K1

Att. No.	Chain No.	A	B	C	E	F	H	N	S	T
K1	55	2.000	.625	1.000	.875	.438	.750	.266	2.750	.125
K1	62	2.469	.625	1.234	.875	.438	.578	.266	3.250	.148



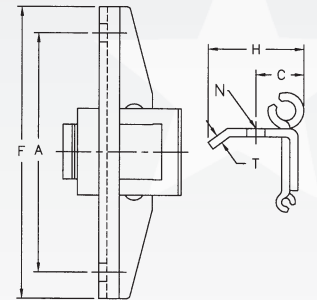
SB/RIGHT & LEFT

Att. No.	Chain No.	A	E	F	N	T
B	S	1.625	1.313	.656	.328	.170



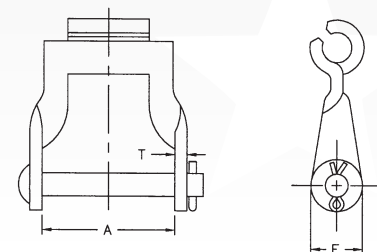
SFS1

Att. No.	Chain No.	A	C	F	H	N	T
SFS1	62	4.313	.875	5.250	1.500	.328	.148



STEEL CHAIN COUPLERS

Att. No.	Chain No.	A	F	T
CO	55	1.375	.625	.125
CO	62	1.609	.625	.148



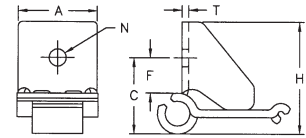
STEEL DETACHABLE CHAIN ATTACHMENT LINKS

**ALLIED-LOCKE
INDUSTRIES**



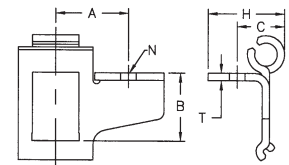
C1-C11-C15

Att. No.	Chain No.	A	C	F	H	N	T
C1	55	1.250	1.188	.438	1.750	.266	.105
	62	1.438	1.281	.469	1.781	.266	.105
C11	55	1.250	1.188	.438	1.750	.328	.105
	62	1.438	1.281	.469	1.781	.328	.105
C15	62	1.438	1.188	.438	1.781	.266	.105



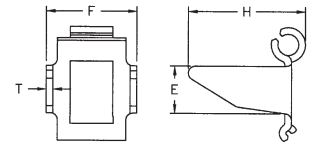
G27/RIGHT & LEFT

Att. No.	Chain No.	A	B	C	H	N	T
G27	55	1.250	1.000	.813	1.313	.266	.125
	62	1.313	1.063	.688	1.063	.266	.148



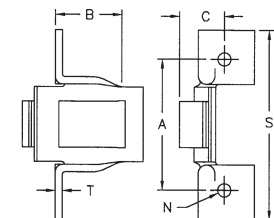
HB4

Att. No.	Chain No.	E	F	H	T
HB4	55	.875	1.688	2.188	.125
	62	.875	1.953	2.188	.148



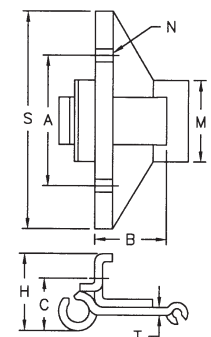
SD, SE, SH, SH1

Att. No.	Chain No.	A	B	C	N	TS	T
SD	32W	2.125	1.188	.625	.203	2.813	.095
SD	55	2.250	1.125	.781	.234	3.250	.125
SD	62	2.500	1.125	.781	.266	3.625	.148
SE	55	2.438	1.125	.781	.313	3.250	.125
SH	55	2.250	1.125	.781	.281	3.250	.125
SH	62	2.750	1.125	.781	.266	3.625	.148
SH1	62	2.750	1.125	.781	.328	3.625	.148



SHW

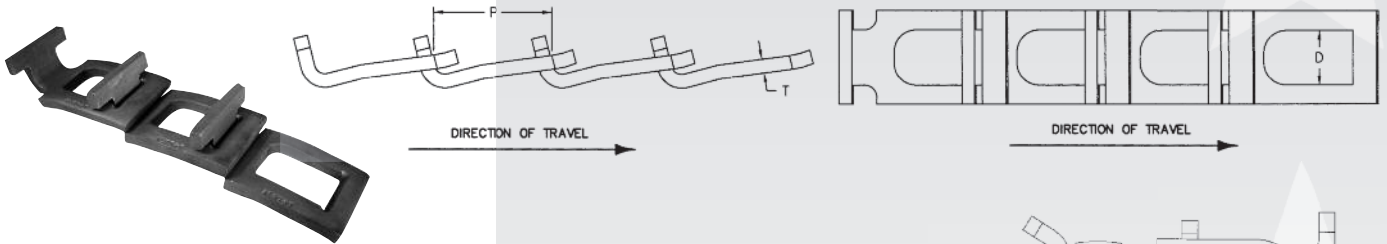
Att. No.	Chain No.	A	B	C	H	M	N	S	T
SHW	67H	3.000	1.625	1.188	1.750	1.875	.281	4.000	.155



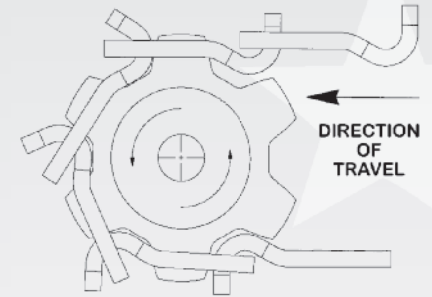


T-BAR

These heavy duty chain links have a minimum tensile strength of 16,000 pounds. They are made of 5/16" thick, hi-strength steel that is uniformly heat treated in atmospherically controlled furnaces. These chains are designed to run on their respective standard #67 or #88 sprockets. They are designed to help prevent clogging or binding and have a longer wear life than steel detachable or pintle chains, due to the thickness of material used. This design allows for easy assembly and disassembly. The design of the unit attachment links are offset at the lug extension, allowing the slat to ride on the surface of the flooring, giving the best possible cleaning action.

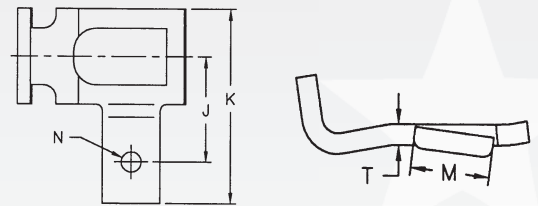


Chain Size	P Pitch (inch)	Links In 10'	Avg. Ult. Strength	Dimensions (inches)		
				Inside Width D	Thickness T	Width Overall W
AL67 T-Bar	2.550	47	16,000 lbs.	1.093	.312	2.000
AL88 T-Bar	2.773	43	16,000 lbs.	1.093	.312	2.000



AS, A1, A2

Att. No.	Chain No.	Dimensions				
		J	K	M	N	T
AS	AL67 T-Bar	2.031	3.750	1.125	.328	.312
A1	AL67 T-Bar	2.031	3.750	1.125	.391	.312
A2	AL67 T-Bar	2.031	3.750	1.125	.453	.312

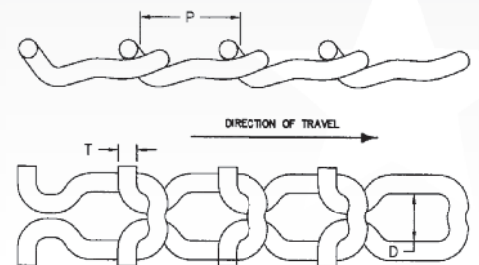


T-ROD

Developed for use in spreaders, its unique design decreases fatigue and wear and reduces stretching. It runs smoothly and quietly on standard #67 sprockets.



Chain Size	P Pitch (inch)	Links In 10'	Avg. Ult. Strength	Dimensions (inches)		
				Inside Width D	Thickness T	Width Overall W
AL67 T-Rod	2.388	50	16,000 lbs.	1.125	.437	2.50



REPLACEMENT CHAINS

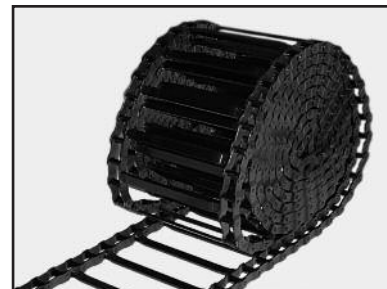
ALLIED-LOCKE
INDUSTRIES



REPLACEMENT CHAINS FOR THE AGRICULTURAL INDUSTRY

- Feeder House Chains
- Corn Gathering Chains
- Elevator Chains
- Forage Harvester Chains

Most Makes and Models Available



REPLACEMENT CHAINS FOR SALT/SAND SPREADERS

- Pintle Chains
- Combination Chains
- Roller Chains

Available In
Plain Chain—with bars—with belt overs



REPLACEMENT CHAINS/BELTS FOR J.D. 50/50A SERIES

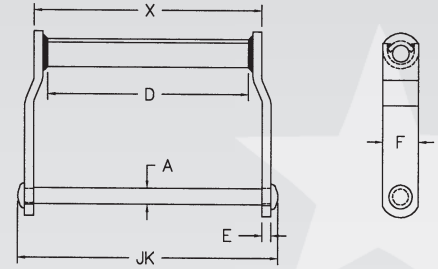
- Forage/Bean Harvester Gathering Chains



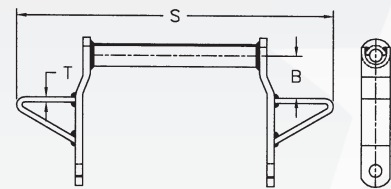
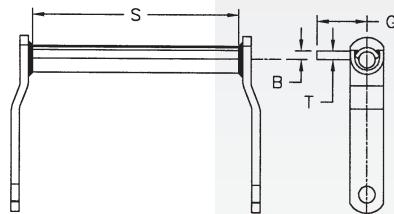


DRAG CHAINS

Welded steel drag chains are of all-steel, welded rugged construction for most drag applications. With their large, wide pushing area, they provide a sizeable carrying capacity when operated at moderate speeds and also keep the chain from riding over the top of the material. Can be used in the same troughs and over the same sprockets as their cast chain counterparts.



Chain Number	Pitch (P)	Approx. Working Load	Average Ultimate Strength	Dimensions (inches)					
				Rivet Diameter A	Side Bar Thickness E	Side Bar Height F	Sprocket Surface D	Length of Bearing X	Overall Width JK
WDH104	6.000	10,000 lbs.	60,000 lbs.	.75	.38	1.50	4.12	5.38	7.00
WDH110	6.000	10,000 lbs.	60,000 lbs.	.75	.38	1.50	9.00	10.38	11.88
WDH112	8.000	10,000 lbs.	60,000 lbs.	.75	.38	1.50	9.12	10.38	11.88
WDH120	6.000	15,000 lbs.	90,000 lbs.	.88	.50	2.00	8.62	10.12	12.00
WDH122	8.000	15,000 lbs.	90,000 lbs.	.88	.50	2.00	8.50	10.12	12.00
WDH480	8.000	15,000 lbs.	90,000 lbs.	.88	.50	2.00	11.00	12.75	14.62
WDH480XHD	8.000	20,500 lbs.	125,000 lbs.	1.00	.62	2.00	11.25	13.00	14.81



DRAG CHAIN ATTACHMENTS

ATTACHMENT NUMBER	CHAIN NUMBER	S	B	G	T
C1	WD104	4.12	.38	2.25	.38
C1	WDH110	9.12	.38	2.25	.38
W1	WD104	12	1.88	—	.38
W1	WDH110	17	1.88	—	.38
W1	WD120	17	1.75	—	.50
W1	WDH480	22	2.50	—	.50

★ Reverse Barrel configuration also available.

★ Sidebars are pierced and broach to a precise pitch tolerance to insure proper strand length and give more bearing surface in the hole to increase surface area for the press fit of the pin.

★ Automated welding is used on the welding of the link.



WELDED MILL CHAIN

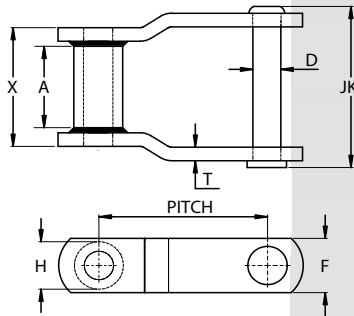
ALLIED-LOCKE
INDUSTRIES



OFFSET MILL TYPE CHAINS are available in carbon and stainless steel. Welded steel mill class chains are recommended for most conveying, driving and elevating applications where a high strength steel, rollerless chain is required. These chains will operate on the same sprockets as their cast counterparts. A complete line of attachments and optional heat treatments make them easily adaptable to a wide variety of applications.

- AUTOMATED WELDING IS USED TO ENSURE CONSISTENT WELDS AND BARREL LOCATION
- CARBON STEEL CHAINS HAVE HEAT TREATED PINS, BARRELS AND SIDEBARS
- STAINLESS SERIES HAVE HEAT TREATED BARRELS AND PINS
- WHX SERIES AVAILABLE WITH INDUCTION HARDENED PINS





CHAIN NO.	PITCH	AVERAGE ULTIMATE STRENGTH LBS.	RATED WORKING LOAD LBS.	APPROX. LINKS IN 10 FEET	AVERAGE WEIGHT PER FOOT	OVERALL WIDTH JK	LENGTH OF BEARING X	RIVET DIAMETER D	SIDEBAR THICKNESS T	SIDE BAR HEIGHT F	BARREL DIAM. H	MAX SPKT. FACE A
WH188	2.609	30,000	2,850	46	3.8	2.69	1.62	0.5	0.25	1.12	0.88	0.88
WH78	2.609	30,000	3,500	46	4.0	3.00	2.00	0.50	0.25	1.12	0.88	1.12
WH78-4	4.000	30,000	3,500	30	4.0	3.00	2.00	0.50	0.25	1.12	0.88	1.12
WH82	3.075	36,000	4,400	39	4.8	3.25	2.25	0.56	0.25	1.25	1.06	1.25
WH124 *	4.000	69,000	7,200	30	8.3	4.25	2.75	0.75	0.38	1.50	1.25	1.50
WH124 HD	4.063	100,000	10,500	30	14.7	4.75	3.00	1.00	0.50	2.00	1.62	1.62
WH111	4.760	91,000	8,850	26	9.5	4.88	3.38	0.75	0.38	1.75	1.25	2.00
WH106	6.000	69,000	7,200	20	7.0	4.25	2.75	0.75	0.38	1.50	1.25	1.62
WH106 HD	6.000	92,500	7,875	20	9.0	4.75	3.00	0.75	0.50	1.50	1.25	1.62
WH106 XHD	6.050	100,000	10,500	20	11.8	4.88	3.00	1.00	0.50	2.00	1.62	1.62
WH110	6.000	69,000	7,875	20	7.2	4.62	3.00	0.75	0.38	1.50	1.25	1.88
WH132	6.050	115,000	15,300	20	14.2	6.25	4.38	1.00	0.50	2.00	1.75	2.88
WH132 HD	6.050	139,500	16,200	20	16.4	6.75	4.62	1.00	0.62	2.00	1.75	2.88
WH150	6.050	116,000	15,300	20	16.8	6.25	4.38	1.00	0.50	2.50	1.62	2.88
WH150 HD	6.050	168,000	16,200	20	19.3	6.75	4.62	1.00	0.62	2.50	1.62	2.88
WH150 XHD	6.050	161,000	18,200	20	19.7	6.75	4.62	1.12	0.62	2.50	1.62	2.88
WH155	6.050	145,000	17,750	20	20.0	6.50	4.50	1.12	0.50	2.50	1.75	3.00
WH159	6.125	230,000	20,250	20	28.0	6.97	4.63	1.25	0.62	3.00	2.00	3.00

* Both bend profiles are available. Please specify if you prefer one style over the other.

WHX Series also available with induction hardened pins.

STAINLESS STEEL WELDED MILL CLASS CHAIN

Our standard stainless steel chains in this class are designed with 316 grade sidebars and specially heat treated 17-4 barrels and pins.

CHAIN NO.	PITCH	AVERAGE ULTIMATE STRENGTH LBS.	RATED WORKING LOAD LBS.	APPROX. LINKS IN 10 FEET	AVERAGE WEIGHT PER FOOT	OVERALL WIDTH JK	LENGTH OF BEARING X	RIVET DIAMETER D	SIDEBAR THICKNESS T	SIDE BAR HEIGHT F	BARREL DIAM. H	MAX SPKT. FACE A
WH78 *	2.609	11,600	2,300	46	4.0	3.00	2.00	0.50	0.25	1.12	0.88	1.12
WH82	3.075	13,000	2,600	39	4.8	3.25	2.25	0.56	0.25	1.25	1.06	1.25
WH124	4.000	21,400	4,250	30	8.3	4.25	2.75	0.75	0.38	1.50	1.25	1.50
WH106	6.000	38,000	7,600	20	7.0	4.25	2.75	0.75	0.38	1.50	1.25	1.62
WH132	6.050	38,000	7,600	20	14.2	6.25	4.38	1.00	0.50	2.00	1.75	2.88
WH150	6.050	56,400	11,200	20	16.8	6.25	4.38	1.00	0.50	2.50	1.62	2.88
WH155	6.050	52,100	10,400	20	20.0	6.50	4.50	1.12	0.50	2.50	1.75	3.00
Also Available 316 Cast Stainless Steel - Cottered Only												
SUS78	2.609	19,000	2,700	46	3.9	2.88	1.96	0.50	0.25	1.12	0.86	1.12

*Standard stocked W78 is all 304 grade construction. Other materials available.

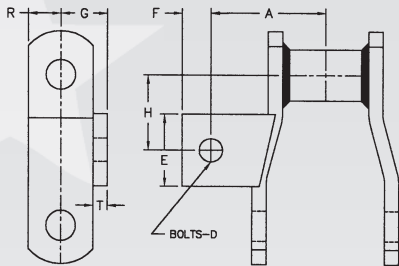


WELDED MILL CHAIN ATTACHMENTS

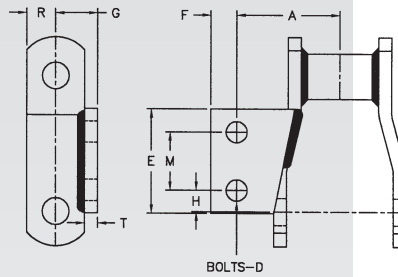
ALLIED-LOCKE
INDUSTRIES



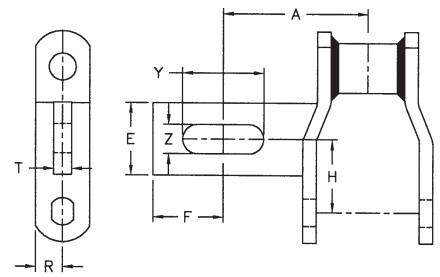
A1 ATTACHMENT



A2 ATTACHMENT

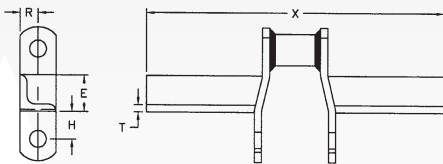


A225 ATTACHMENT

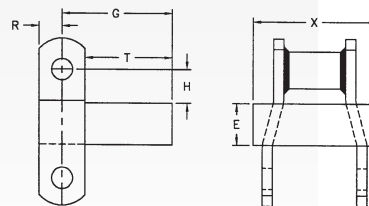


ATTACHMENT NUMBER	CHAIN NUMBER	WEIGHT PER FOOT LBS.	A	D	E	F	G	H	K	M	R	T	X	Y	Z
A1	WH78	4.97	2.00	.38	1.25	.50	.81	1.25	—	—	.56	.25	—	—	—
A1	WH82	6.50	2.13	.38	1.75	.62	.94	1.50	—	—	.62	.25	—	—	—
A1	WH124	8.40	2.62	.62	2.00	.62	1.13	1.81	—	—	.75	.38	—	—	—
A2	WH78	4.50	2.00	.38	2.13	.50	.78	.41	—	1.13	.56	.25	—	—	—
A2	WH82	6.00	2.13	.38	2.25	.62	.94	.50	—	1.25	.62	.31	—	—	—
A2	WH124	10.00	2.62	.38	3.00	.88	1.13	.88	—	1.94	.75	.38	—	—	—
A2	WH132	17.00	3.75	.50	4.00	.75	1.50	1.62	—	2.75	1.00	.50	—	—	—
A225	WH124	8.90	4.00	—	2.00	1.94	—	2.00	—	—	.75	.50	—	2.25	.88
F10	WH82	4.80	—	—	1.25	—	—	.94	—	—	.63	.25	10.25	—	—
F30	WH78	9.90	—	—	1.00	—	2.69	.81	—	—	.56	2.13	3.00	—	—
F659	WH124	13.10	—	—	1.75	—	4.75	.50	—	—	.75	—	6.59	—	—

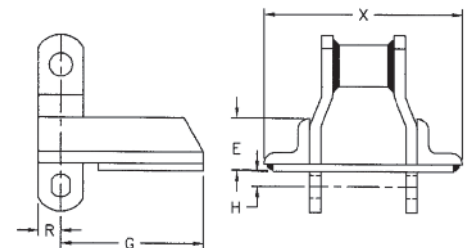
F10 ATTACHMENT



F30 ATTACHMENT

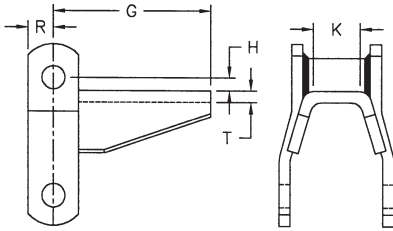


F659 ATTACHMENT

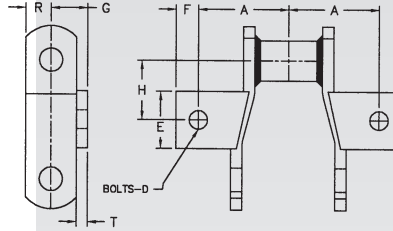




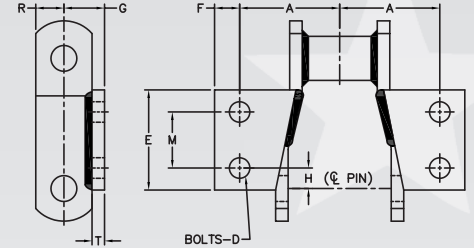
H2 ATTACHMENT



K1 ATTACHMENT

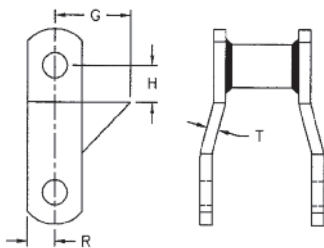


K2 ATTACHMENT

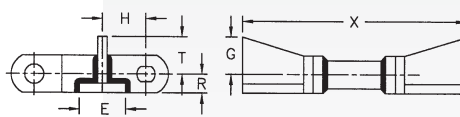


ATTACHMENT NUMBER	CHAIN NUMBER	WEIGHT PER FOOT LBS.	A	D	E	F	G	H	K	M	R	T	X	Y	Z
H2	WH78	4.75	—	—	—	—	3.56	.31	1.10	—	.56	.25	—	—	—
H2	WH82	9.00	—	—	—	—	3.62	.62	1.13	—	.62	.19	—	—	—
K1	WH78	4.97	2.00	.38	1.25	.50	.81	1.25	—	—	.56	.25	—	—	—
K1	WH82	6.50	2.13	.38	1.75	.62	.94	1.50	—	—	.62	.25	—	—	—
K1	WH124	11.70	2.62	.62	2.00	.62	1.13	1.81	—	—	.75	.38	—	—	—
K2	WH78	5.00	2.00	.38	2.13	.50	.78	.41	—	1.13	.56	.25	—	—	—
K2	WH82	8.00	2.13	.38	2.25	.62	.94	.50	—	1.25	.62	.31	—	—	—
K2	WH124	12.00	2.62	.38	3.00	.62	1.13	.88	—	1.94	.75	.38	—	—	—
K2	WH132	19.00	3.75	.50	4.00	.75	1.50	1.62	—	2.75	1.00	.50	—	—	—
RR	WH78	4.70	—	—	—	—	1.50	.75	—	—	.56	.25	—	—	—
RR	WH82	7.00	—	—	—	—	1.75	.81	—	—	.62	.25	—	—	—
RR	WH124	10.00	—	—	—	—	1.88	1.50	—	—	.75	.38	—	—	—
A11-Cradle	WH132	26.00	—	—	2.50	—	2.00	2.35	—	—	1.00	.50	11.00	—	—
C-Cradle	WH132	29.00	—	—	3.50	—	2.00	2.62	—	—	1.00	1.00	11.00	—	—
Side Lift Chair	WH132	17.50	—	—	—	—	11.00	—	—	—	1.00	9.25	—	—	—

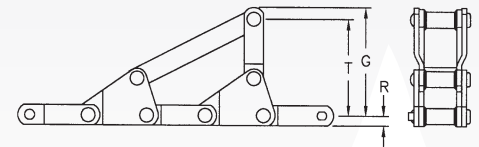
RR ATTACHMENT



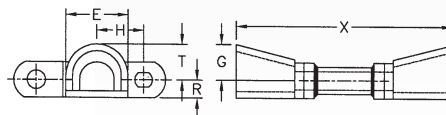
A11 CRADLE ATTACHMENT



SIDE LIFT CHAIR ATT.



C CRADLE ATTACHMENT



SS CLASS BUSHED STEEL CHAIN

ALLIED-LOCKE
INDUSTRIES



Allied-Locke SS Bushed Steel Chain is ideal for operating under extremely gritty or abrasive conditions. This chain is often referred to as “Steel Bushed” or “Rollerless.” Each part is machined and heat treated with the result of strength and wear, assuring optimum fit for the pins and bushings. Sidebars are produced to accommodate the ends of the pins which lock into position in the sidebars and will not rotate during operation.

The materials used are carefully selected. The pins are alloy steel that contain nickel, chrome and molybdenum, which improves the chain life through its greater fatigue resistance, improved abrasive resistance, and increased tensile strength at both high and low temperatures. These factors result in a premium product for conveyor and elevator service for gritty, abrasive, and fine particle materials such as ashes, crushed coal, soda ash, cement, crushed stone, and gravel.

- Pitch Range: 2.609 - 7.000”
- Average Ultimate Strength: 25,000 - 200,000 lbs
- Max. Rec. Working Loads: 2,750 - 27,500 lbs

Assorted attachments are offered. All of the cotted chain uses T-head cotters. Cotted construction will be supplied unless riveted is requested. Allied-Locke SS Bushed Steel Chain is made in accordance with manufacturer’s standards and may be interchanged with standard bushed steel chain of other manufacturers. Sprockets are available in cast steel and fabricated when required.

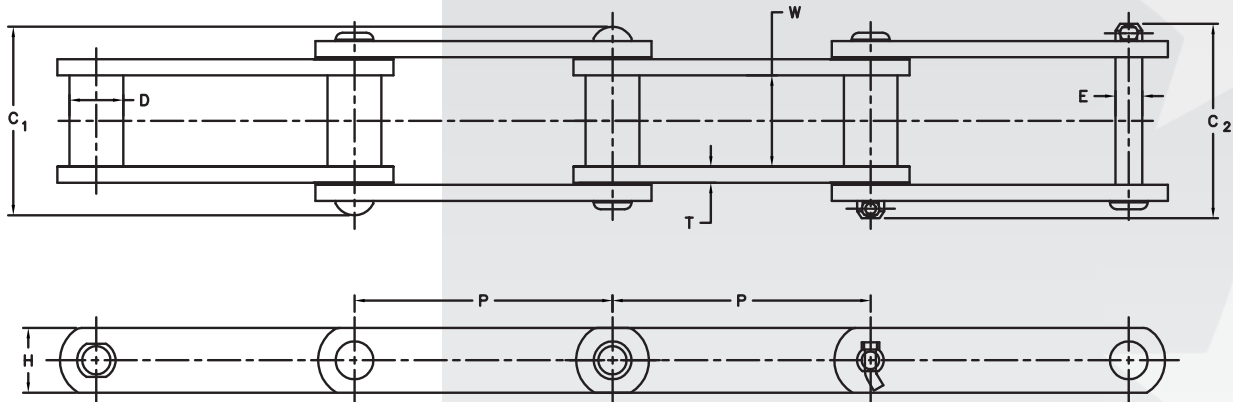
Construction		SS102B	SS110	SS111	SS131	SS150+	SS188	SS833	SS856	SS857	SS859	SS864	SS956	SS958	SS984	SS994
PIN	Alloy Steel	✓	✓	✓	✓	✓	✓	✓	✓	✓	✓	✓	✓	✓	✓	✓
	Case Hardened				✓		✓									
	Induction Hardened	✓	✓	✓		✓		✓	✓	✓	✓	✓	✓	✓	✓	✓
Bushing	Carbon Steel	✓	✓	✓	✓	✓	✓	✓								
	Alloy Steel								✓	✓	✓	✓	✓	✓	✓	✓
	Case Hardened	✓	✓	✓	✓	✓	✓	✓	✓	✓	✓	✓	✓	✓	✓	✓
	Riveted	✓	✓	✓	✓	✓	✓		✓							
	Cotted	✓	✓	✓	✓	✓	✓	✓	✓	✓	✓	✓	✓	✓	✓	✓





SS CLASS BUSHED STEEL CHAIN

Sealed joint chain is available for less maintenance and greater wear resistance.



A-L CHAIN NO.	DIMENSIONS IN INCHES								AVG. ULTIMATE STRENGTH LBS.	WORKING LOAD LBS.	AVG. WEIGHT PER FT. LBS.	LINKS PER 10 FEET
	PITCH P	BARREL DIA. D	INNER WIDTH W	OVERALL WIDTH		LINK PLATE		PIN DIA. E				
				RIV. C1	COTT. C2	H	T					
SS188	2.609	.88	1.06	2.50	2.69	1.12	.25	0.500	25,000	2,750	3.8	46
SS131	3.075	1.25	1.31	3.50	3.75	1.50	.38	0.625	40,000	4,500	7.4	39
SS102B	4.000	1.00	2.12	4.38	4.53	1.50	.38	0.625	40,000	6,300	6.9	30
SS111	4.760	1.44	2.62	5.00	5.44	2.00	.38	0.750	50,000	8,850	10.2	26
SS110	6.000	1.25	2.12	4.38	4.53	1.50	.38	0.625	40,000	6,300	6.3	20
SS833	6.000	1.44	2.62	-	5.08	2.00	.38	0.750	50,000	8,850	20.2	20
SS856	6.000	1.75	3.00	6.00	6.31	2.50	.50	1.000	100,000	14,000	16.5	20
SS857	6.000	1.75	3.00	**	5.94	3.25 - I 2.50 - O	.50	1.000	130,000	14,000	21.0	20
SS859	6.000	2.38	3.75	**	7.25	4.00 - I 3.00 - O	.62	1.250	200,000	21,800	34.0	20
SS956	6.000	1.75	3.00	-	5.95	3.00	.50	1.000	100,000	14,000	23.0	20
SS958*	6.000	2.00	3.00	-	6.13	3.25	.56	1.110	151,000	18,210	40.0	20
SS150+	6.050	1.75	3.31	6.50	6.62	2.50	.50	1.000	100,000	15,100	16.6	20
SS864*	7.000	2.38	3.75	**	7.25	4.00 - I 3.00 - O	.62	1.250	200,000	21,000	31.0	17
SS984*	7.000	2.50	3.75	-	7.25	4.00	.62	1.375	200,000	24,000	58.0	17
SS994*	7.000	2.50	3.75	-	7.75	4.00	.62	1.575	200,000	27,500	58.0	17

* Sealed Joint available. Adds .50" to C2 dimension
 ** Cotted Only - Pin heads and ends not staggered

I = Inner
 O = Outer

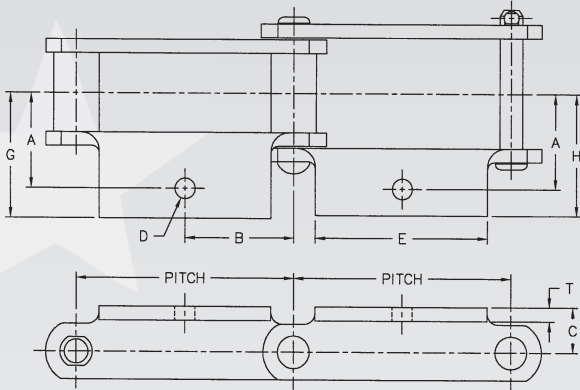


SS CLASS BUSHED STEEL CHAIN ATTACHMENTS

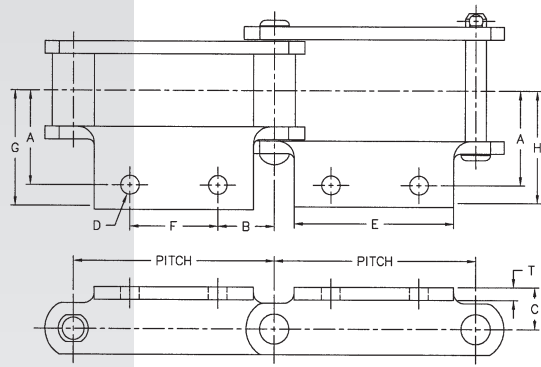
**ALLIED-LOCKE
INDUSTRIES**



A1 ATTACHMENT



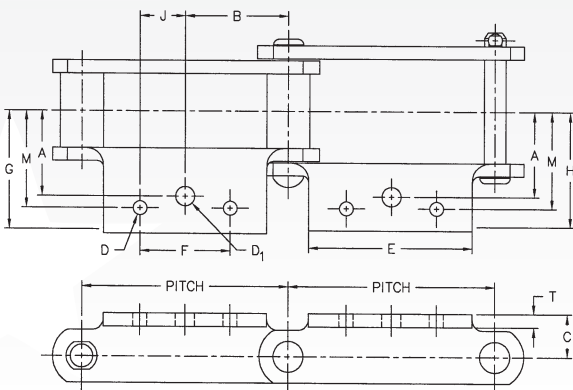
A2 ATTACHMENT



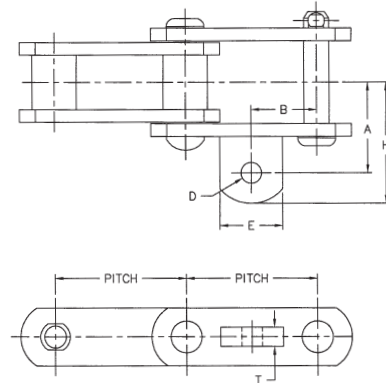
A-L ATTACHMENT NO.	DIMENSIONS IN DECIMAL INCHES											AVERAGE WEIGHT PER FT. LBS.
	PITCH	A	B	C	D		E	F	G	H	T	
					BOLT DIAMETER	HOLE DIAMETER						
SS131-A1	3.075	2.06	1.54	1.00	0.50	0.56	2.50	-	2.78	2.69	0.38	8.9
SS131-A2	3.075	2.06	0.79	1.00	0.50	0.56	2.50	1.50	2.78	2.69	0.38	8.0
SS102B-A2	4.000	2.66	1.12	1.00	0.38	0.41	2.62	1.75	3.20	3.36	0.38	8.0
SS110-A2	6.000	2.66	2.12	1.00	0.38	0.41	2.88	1.75	3.19	3.36	0.38	7.5

A-L ATTACHMENT NO.	DIMENSIONS IN DECIMAL INCHES														AVERAGE WEIGHT PER FT. LBS.	
	PITCH	A	B	C	D		D1		E	F	G	H	J	M		T
					BOLT DIA.	HOLE DIA.	BOLT DIA.	HOLE DIA.								
SS188-A1/A2 (A3)	2.609	1.88	1.31	0.81	0.31	0.34	0.38	0.41	2.12	1.25	2.53	2.56	0.60	2.09	0.25	4.8
SS188-A22	2.609	1.78	1.31	-	0.38	0.41	-	-	1.25	-	-	2.38	-	-	0.38	4.8

A1/A2 (A3) ATTACHMENT

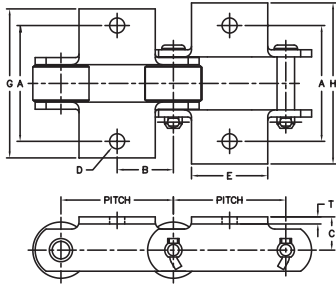


A22 ATTACHMENT

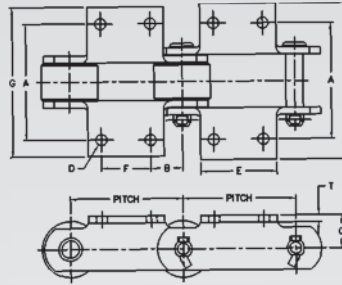




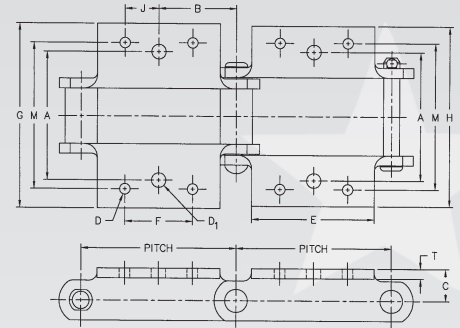
K1 ATTACHMENT



K2 ATTACHMENT

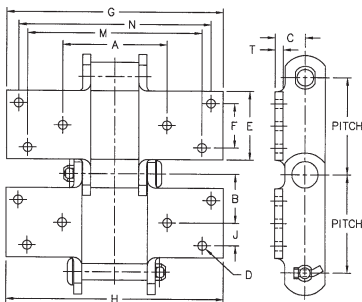


K1/K2 ATTACHMENT

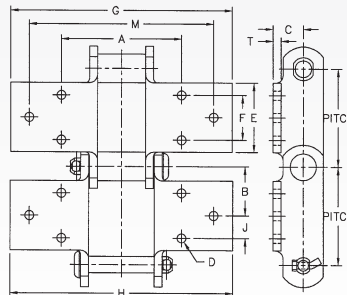


A-L ATTACHMENT NO.	DIMENSIONS IN DECIMAL INCHES											AVERAGE WEIGHT PER FT. LBS.
	PITCH	A	B	C	D		E	F	G	H	T	
					BOLT DIAMETER	HOLE DIAMETER						
SS131-K1	3.075	4.12	1.54	1.00	0.50	0.56	2.50	-	5.56	5.38	0.38	10.2
SS131-K2	3.075	4.12	0.79	1.00	0.50	0.56	2.50	1.50	5.56	5.38	0.38	10.2
SS102B-K2	4.000	5.31	1.12	1.00	0.38	0.41	2.62	1.75	6.41	6.72	0.38	9.0
SS111-K2	4.760	6.25	1.23	1.50	0.50	0.56	3.62	2.31	7.50	7.81	0.38	15.2
SS110-K2	6.000	5.31	2.12	1.00	0.38	0.41	2.88	1.75	6.38	6.72	0.38	8.6
SS856-K2	6.000	6.31	1.88	1.88	0.50	0.56	4.25	2.25	9.00	9.06	0.50	23.0
SS150-K2	6.050	7.50	1.65	1.88	0.50	0.56	4.25	2.75	9.31	9.38	0.50	23.0

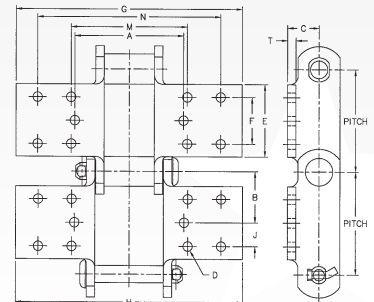
A-L ATTACHMENT NO.	DIMENSIONS IN DECIMAL INCHES																AVERAGE WEIGHT PER FT. LBS.				
	PITCH	A	B	C	D				D1				E	F	G	H		J	M	N	T
					BOLT DIA.	HOLE DIA.	BOLT DIA.	HOLE DIA.	BOLT DIA.	HOLE DIA.											
SS188-K1/K2	2.609	3.75	1.30	0.81	0.31	0.34	0.38	0.41	2.12	1.25	5.06	5.12	0.60	4.19	-	0.25	5.7				
SS856-K3	6.000	6.56	3.00	1.88	0.50	0.56	-	-	4.25	2.75	13.50	13.56	1.38	-	12.06	0.38	27.3				
SS150-K3	6.050	7.50	3.02	1.88	0.50	0.56	-	-	4.25	2.75	13.81	13.88	1.38	11.50	-	0.50	26.9				
SS956-K6	6.000	6.56	3.00	1.88	0.05	0.56	-	-	4.25	2.75	13.50	13.56	1.38	6.94	10.94	0.50	27.3				



SS 856-K3



SS 150-K3



SS 856-K6

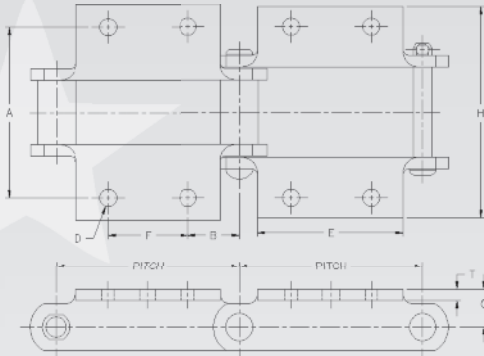


SS CLASS BUSHED STEEL CHAIN ATTACHMENTS

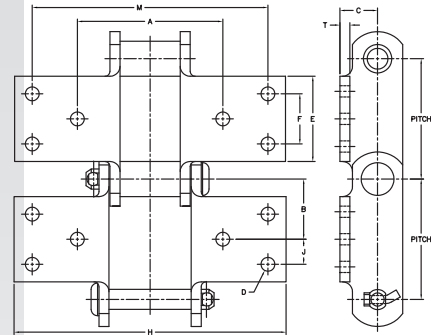
**ALLIED-LOCKE
INDUSTRIES**



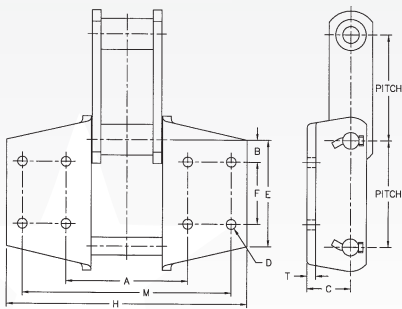
K24 ATTACHMENT



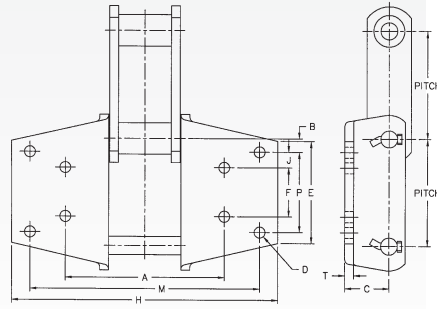
K35 ATTACHMENT



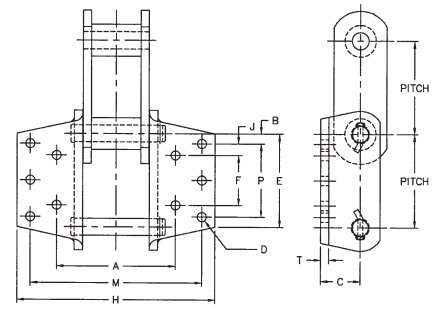
A-L ATTACHMENT NO.	DIMENSIONS IN DECIMAL INCHES													AVERAGE WEIGHT PER FT. LBS.
	PITCH	A	B	C	D		E	F	H	J	M	P	T	
					BOLT DIAMETER	HOLE DIAMETER								
SS856-K24	6.000	7.25	1.75	1.88	0.62	0.69	4.25	2.50	9.06	—	—	—	0.50	23.0
SS956-K24*	6.000	7.25	1.75	1.88	0.62	0.69	7.25	2.50	9.50	—	—	—	0.50	23.0
SS856-K35	6.000	7.25	3.00	1.88	0.62	0.69	4.25	2.50	13.56	1.25	11.75	—	0.50	27.3
SS857-K44	6.000	7.00	1.25	2.50	0.50	0.56	6.00	3.50	13.81	—	12.00	—	0.50	42.0
SS859-K44	6.000	9.00	0.75	3.00	0.62	0.69	6.75	2.75	15.06	0.88	13.00	4.50	0.62	68.0
SS958-K44*	6.000	7.00	1.25	2.50	0.50	0.56	5.75	3.50	13.68	—	12.00	—	0.50	40.0
SS864-K443*	7.000	9.00	3.50	3.00	0.62	0.69	7.00	3.75	15.06	1.88	13.00	5.50	0.62	55.0
SS984-K443*	7.000	13.00	3.50	3.00	0.62	0.69	7.32	3.75	14.88	2.75	13.00	5.50	0.62	58.0
SS994-K443*	7.000	13.00	3.50	3.00	0.62	0.69	7.49	3.75	14.88	2.75	13.00	5.50	0.62	58.0



SS 857-K44



SS 859-K44



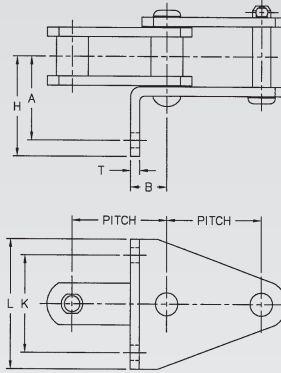
SS 864-K443



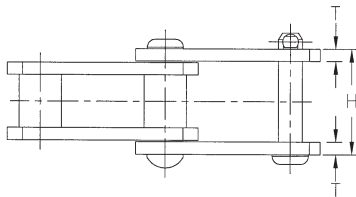


SS CLASS BUSHED STEEL CHAIN ATTACHMENTS

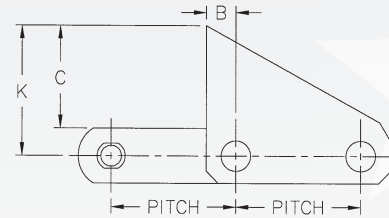
G19 ATTACHMENT



A-L ATTACHMENT NO.	DIMENSIONS IN DECIMAL INCHES									AVERAGE WEIGHT PER FT. LBS.
	PITCH	A	B	D		H	K	L	T	
				BOLT DIAMETER	HOLE DIAMETER					
SS188-G19	2.609	2.25	1.00	0.38	0.41	2.69	2.62	3.50	0.25	5.1
SS102B-G19	4.000	3.06	1.50	0.50	0.53	3.62	3.25	4.50	0.38	9.8



S1 ATTACHMENT



A-L ATTACHMENT NO.	DIMENSIONS IN DECIMAL INCHES						AVERAGE WEIGHT PER FT. LBS.
	PITCH	B	C	H	K	T	
SS 188-S1	2.609	0.62	2.06	2.12	2.62	0.25	6.2
SS 131-S1	3.075	0.78	2.50	2.88	3.25	0.38	11.3
SS 102B-S1	4.000	0.81	3.00	3.72	3.75	0.38	9.7
SS 111-S1	4.760	1.00	3.25	4.19	4.25	0.38	13.0
SS 150+ -S1	6.050	1.28	3.75	5.38	5.00	0.50	21.7



MSR CLASS BUSHED ROLLER STEEL CHAIN

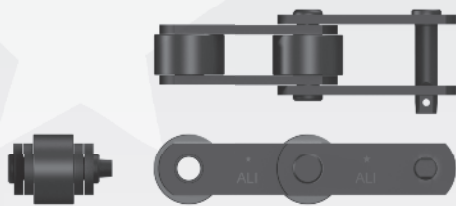
ALLIED-LOCKE
INDUSTRIES



MSR Class Bushed Roller Steel Chain has high strength and long wear and is manufactured for heavy duty operation under severe conditions. Pins and bushings lock into specially produced sidebars, assuring close pitch control and achieving as close to 100% bearing between the pin and sidebar as possible. This configuration is frequently referred to as a “bushed roller”.

Allied-Locke chain parts are manufactured from carefully selected raw material, machined and heat treated employing precise and exacting specifications; the parts are assembled with high precision for maximum performance and service.

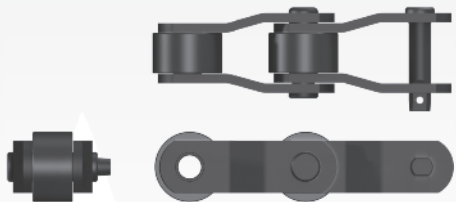
This class of chain is available in a wide range of pitch sizes. The recommended working load is conservatively stated in all sizes to support optimum performance with long life. This chain is made according to manufacturers’ standards and may be interchanged with standard bushed roller chain of other manufacturers. It is offered in four main styles:



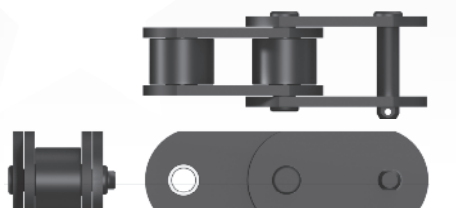
STYLE 1 have oversized rollers. The outer diameter of the roller is larger than the sidebars



STYLE 2 have undersized rollers. The outer diameter of the roller is the same height or smaller than the sidebars



STYLE 3 have offset sidebars. The rollers may be over or undersized

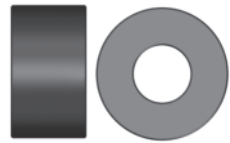


STYLE 4 have tall sidebars that extend above the roller

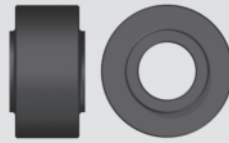




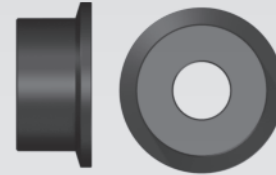
There are 3 main types of rollers:



P
PLAIN



J
JOURNALED



F
FLANGED

There are 4 main types of bushings:



P
PLAIN



J
JOURNALED



D
"D" TYPE
Flat on one side



I
"I" TYPE
Flat on top and bottom

Assorted attachments are offered in a wide range of MSR chain. Standard materials, heat treatments and finishes can be customized to suit your needs. Multiple grades of carbon, stainless and alloy steels are available for most applications. We have finish options such as galvanized, black oxide and other special finishes.

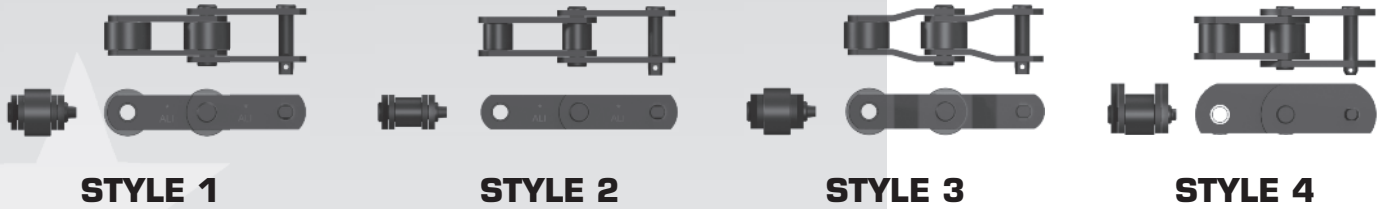
MSR chain is available in riveted and cottered construction except as noted. Cottered construction will be furnished unless riveted is requested, except 81X and MSR 303.

Sprockets are available for all of the chains we manufacture.



MSR CLASS BUSHED ROLLER STEEL CHAIN

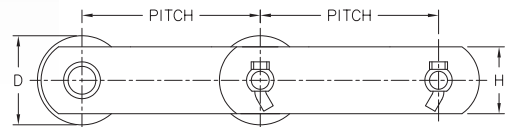
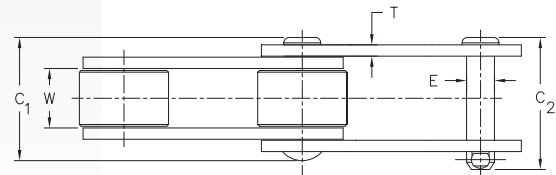
**ALLIED-LOCKE
INDUSTRIES**



Chain Number	DIMENSIONS IN INCHES								AVG. ULTIMATE STRENGTH LBS	WORKING LOAD LBS	AVG. WEIGHT PER FT. LBS	LINKS PER 10 FEET	CHAIN STYLE
	PITCH	PIN	RIV.	COTT.	ROLLER	Link Plate							
	P	E	C ₁	C ₂	D	W	H	T					
1.654"													
378RX	1.654	.437	2.00	2.16	.88	1.00	1.13	.19	20,000	2,100	3.6	73	2
432	1.654	.437	2.16	2.32	.88	1.00	1.13	.19	25,000	2,550	4.3	73	2
2.000"													
MSR2048	2.000	.562	2.60	2.82	1.13	1.25	1.50	.25	59,000	3,450	6.7	60	2
MSR2825	2.000	.558	-	2.50	1.00	1.00	1.57	.25	20,000	2,930	6.1	60	2
2.609"													
81X	2.609	.438	2.00	2.08	.91	1.07	1.12	.16	24,000	2,100	2.4	46	2
81XH	2.609	.438	2.38	2.50	.91	1.07	1.27	*.31/**.22	42,000	2,600	4.1	46	2
81XHH	2.609	.438	2.62	2.75	.91	1.07	1.27	.31	42,000	2,600	4.6	46	2
81X-KD	2.609	.433	2.00	2.08	.87	1.07	.93	.16	25,700	2,200	2.4	46	2
MSR3343	2.609	.558	2.81	3.00	1.13	1.13	1.63	.31	60,000	3,400	6.4	46	2
MSR9062	2.609	.440	-	2.81	1.31	1.50	2.50	.19	20,000	2,900	9.8	46	3
2.750"													
MSR1594	2.750	.562	-	2.86	1.25	1.00	1.25	.31	35,000	3,200	5.5	44	2
3.000"													
MSR303	3.000	.438	1.65	-	.88	.50	1.00	.19	10,000	1,800	1.9	40	2
MSR1317	3.000	.438	2.16	2.25	1.50	1.00	1.50	.19	13,000	2,100	4.5	40	3
MSR3013	3.000	.438	2.16	2.25	1.50	1.00	1.12	.19	13,000	2,100	4.5	40	1
MSR3415	3.000	.562	2.64	2.78	1.13	1.25	1.50	.25	47,000	3,445	6.9	40	2
3.075"													
MSR1539	3.075	.625	3.28	3.50	1.25	1.50	1.50	.31	40,000	4,650	7.0	39	2
MSR4539	3.075	.625	3.18	3.43	1.25	1.50	1.50	.31	48,000	4,650	8.2	39	2
4.000"													
MSR149	4.000	.625	3.38	3.50	2.25	1.31	1.50	.38	40,000	4,500	10.2	30	1
MSR2188	4.000	.625	3.12	3.25	1.75	1.31	1.50	.31	28,000	4,200	7.0	30	1
MXS2124	4.000	.560	-	2.85	1.13	1.25	1.50	.25	44,000	3,430	4.8	30	3
MSR3433	4.000	.625	4.06	4.31	1.50	2.13	1.50	.38	56,000	6,500	10.0	30	2
MSR3811	4.000	.625	2.76	2.98	2.50	1.38	2.00	.25	47,600	4,100	10.5	30	1
MSR3952	4.000	.750	-	4.37	1.44	2.00	1.75	.38	62,000	7,200	8.2	30	2

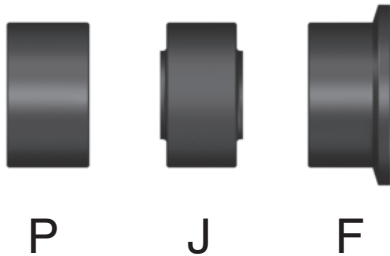
* Inner Sidebar

** Outer Sidebar





ROLLERS

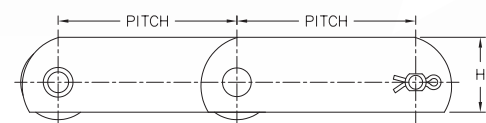
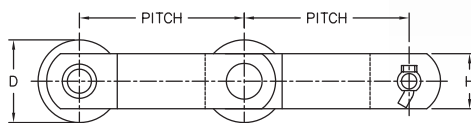
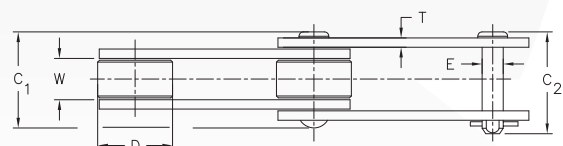
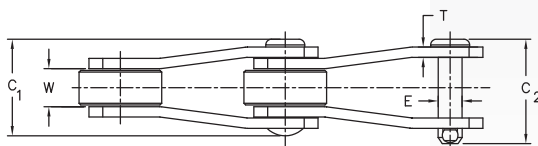


BUSHINGS



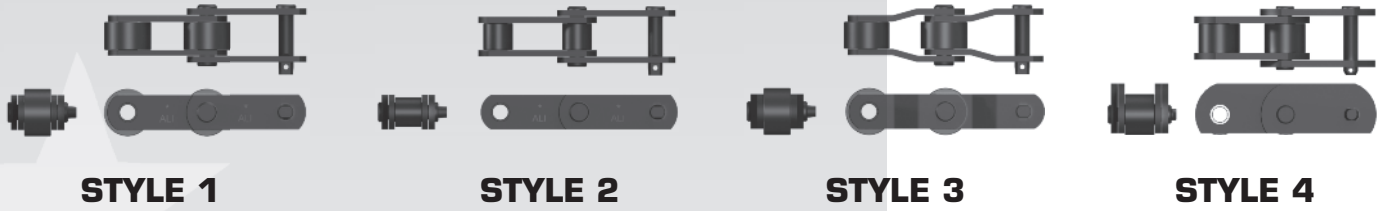
Chain Number	ROLLER TYPE	BUSHING TYPE	Pins		Bushings		Rollers		Sidebars Heat Treated	ATTACHMENTS *
			STD. MAT'L	STD. H.T.	STD. MAT'L	STD. H.T.	STD. MAT'L	STD. H.T.		
1.654"										
378RX	P	P	CAR STL	HEAT TREATED	ALLOY	CASE HARDENED	ALLOY	HEAT TREATED	●	
432	P	P	CAR STL	HEAT TREATED	ALLOY	CASE HARDENED	ALLOY	HEAT TREATED	●	
2.000"										
MSR2048	P	P	ALLOY	THRU HARDENED	ALLOY	CASE HARDENED	ALLOY	THRU HARDENED	●	D5
MSR2825	P	P	ALLOY	THRU HARDENED	ALLOY	CASE HARDENED	ALLOY	THRU HARDENED	●	
2.609"										
81X	P	P	CAR STL	CASE HARDENED	CAR STL	CASE HARDENED	CAR STL	CASE HARDENED	●	A, F, G, H, K, M,
81XH	P	P	CAR STL	CASE HARDENED	CAR STL	CASE HARDENED	CAR STL	CASE HARDENED	●	A, F, K
81XHH	P	P	CAR STL	CASE HARDENED	CAR STL	CASE HARDENED	CAR STL	CASE HARDENED	●	F
81X-KD	P	P	ALLOY	THRU HARDENED	ALLOY	CASE HARDENED	CAR STL	THRU HARDENED	●	
MSR3343	P	P	ALLOY	THRU HARDENED	ALLOY	CASE HARDENED	ALLOY	THRU HARDENED	●	M10
MSR9062	P	D	ALLOY	CASE HARDENED	CAR STL	CASE HARDENED	CAR STL	CASE HARDENED	●	
2.750"										
MSR1594	P	P	ALLOY	CASE HARDENED	CAR STL	CASE HARDENED	CAR STL	CASE HARDENED	●	A50, A86, A60
3.000"										
MSR303			CAR STL	CASE HARDENED	CAR STL	CASE HARDENED	CAR STL	CASE HARDENED	●	D5
MSR1317	P	P	CAR STL	CASE HARDENED	CAR STL	CASE HARDENED	ALLOY	CASE HARDENED	●	
MSR3013	P	P	CAR STL	CASE HARDENED	CAR STL	CASE HARDENED	CAR STL	CASE HARDENED	●	A1/A2, A42, D5, K1/K2, M3
MSR3415	P	P	ALLOY	THRU HARDENED	ALLOY	CASE HARDENED	ALLOY	THRU HARDENED	●	
3.075"										
MSR1539	P	P	ALLOY	CASE HARDENED	ALLOY	CASE HARDENED	ALLOY	THRU HARDENED	●	A2, K
MSR4539	P	P	ALLOY	IND. HARDENED	ALLOY	CASE HARDENED	ALLOY	THRU HARDENED	●	A, K22/K24, M
4.000"										
MSR149	J	P	CAR STL	THRU HARDENED	CAR STL	CASE HARDENED	CAR STL	CASE HARDENED	●	K, G19
MSR2188	P	P	CAR STL	CASE HARDENED	CAR STL	CASE HARDENED	CAR STL	CASE HARDENED	●	A2, K1/K2, F, M3
MXS2124	P	P	ALLOY	THRU HARDENED	CAR STL	CASE HARDENED	ALLOY	THRU HARDENED	●	
MSR3433	P	P	ALLOY	CASE HARDENED	ALLOY	CASE HARDENED	ALLOY	THRU HARDENED	●	K26, M2
MSR3811	J	P	ALLOY	IND. HARDENED	ALLOY	CASE HARDENED	CAR STL	CASE HARDENED	●	A25
MSR3952	P	P	ALLOY	IND. HARDENED	ALLOY	CASE HARDENED	ALLOY	CASE HARDENED	●	K2

* Partial list of common attachments. Many additional attachments are available upon request.

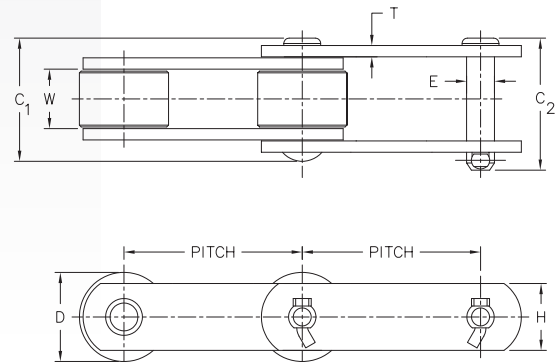


MSR CLASS BUSHED ROLLER STEEL CHAIN

**ALLIED-LOCKE
INDUSTRIES**



Chain Number	DIMENSIONS IN INCHES								AVG. ULTIMATE STRENGTH LBS	WORKING LOAD LBS	AVG. WEIGHT PER FT. LBS	LINKS PER 10 FEET	CHAIN STYLE
	PITCH	PIN	RIV.	COTT.	ROLLER	Link Plate							
	P	E	C1	C2	D	W	H	T					
4.000"													
MSR3957	4.000	.625	-	3.69	1.38	1.50	1.75	.38	45,000	4,900	8.0	30	1
MSF4013	4.000	.438	2.16	2.25	1.50	1.00	1.12	.19	13,000	2,100	3.4	30	1
MSR4019	4.000	.500	2.31	2.44	1.50	.88	1.25	.25	19,000	2,450	4.1	30	1
MSR4070	4.000	.625	-	4.25	2.50	1.38	2.00	.25	70,000	4,100	10.4	30	2
MSR4071	4.000	.625	2.76	2.98	2.50	1.38	2.00	.25	40,000	4,100	10.5	30	1
MSR4100	4.000	.625	2.75	2.88	2.25	1.25	1.75	.25	43,000	2,800	8.2	30	1
MSR4119	4.000	.500	2.31	2.44	1.75	.88	1.25	.25	19,000	2,450	4.5	30	1
MSR4216	4.000	.438	2.28	2.37	2.00	1.12	1.25	.19	16,000	2,300	4.9	30	1
MSR4219	4.000	.500	2.32	2.36	2.00	.88	1.25	.25	19,000	2,450	5.0	30	1
MSR4328	4.000	.625	3.38	3.50	2.25	1.31	1.50	.38	40,000	4,500	10.2	30	1
MXS7124	4.000	.625	-	3.45	1.25	1.50	2.00	.31	50,000	4,650	7.3	30	3
4.040"													
MSR2227	4.040	.688	-	4.19	1.50	2.00	2.00	.38	75,000	6,500	12.0	30	2
MSR3420	4.040	.625	-	3.25	2.00	1.31	1.50	.38	28,000	3,150	11.4	30	1
6.000"													
CC5 (1617)	6.000	.688	-	3.19	2.50	1.38	2.50	.31	50,000	4,800	11.0	20	4
MSR622	6.000	.750	-	4.34	3.50	2.00	2.00	.38	50,000	7,200	16.0	20	1
MSR624	6.000	.750	-	n/a	3.00	1.56	2.00	.25	32,000	5,400	14.5	20	1
MSR658	6.000	.625	3.08	3.28	3.00	1.62	2.00	.25	30,000	4,650	10.5	20	1
MSR944+	6.000	.750	3.75	3.75	1.88	1.50	2.00	.38	60,000	5,900	9.3	20	2
MSR953	6.000	.750	-	2.75	1.75	1.38	2.00	.38	38,000	5,600	8.7	20	2
MSR996	6.000	.750	3.75	3.97	2.75	1.50	2.00	.38	70,000	5,900	11.8	20	1
MSR1114	6.000	.625	3.12	3.25	2.00	1.31	1.50	.31	28,000	4,200	6.3	20	1
MSR1116	6.000	.562	2.81	2.94	2.00	1.25	1.50	.25	21,000	3,450	5.0	20	1
MSR2178	6.000	.875	-	4.03	2.75	1.50	2.25	.38	56,000	7,100	14.5	20	1
MSR2184P	6.000	.875	-	3.84	3.00	1.38	2.00	.38	75,000	6,500	12.3	20	3
MSR2184HD	6.000	.875	-	3.84	3.00	1.38	2.00	.38	85,000	6,500	12.3	20	3
MSR2198	6.000	.875	-	4.44	2.75	1.50	2.25	.50	100,000	7,650	18.2	20	1
MSR2198HD	6.000	.875	-	4.44	2.75	1.50	2.25	.50	100,000	7,650	18.2	20	1
MSR2856	6.000	1.000	3.44	6.07	2.75	3.00	2.75	.50	140,000	14,000	23.5	20	2
MSR3940	6.000	.750	-	4.38	1.63	2.00	2.25	.38	80,000	7,200	14.0	20	2
MSR6018	6.000	.438	2.53	2.62	2.00	1.12	1.25	.25	18,000	2,500	4.6	20	1
MSR6238	6.000	.750	-	3.75	2.50	1.38	2.00	.38	38,000	5,600	10.9	20	2

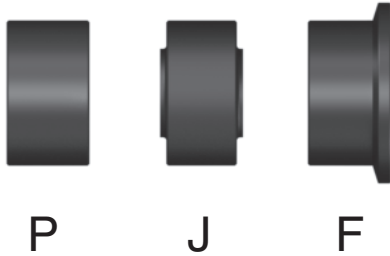




**ALLIED-LOCKE
INDUSTRIES**

MSR CLASS BUSHED ROLLER STEEL CHAIN

ROLLERS

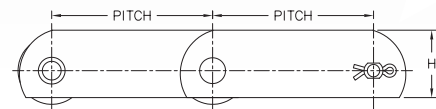
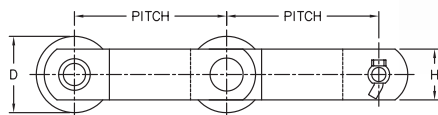
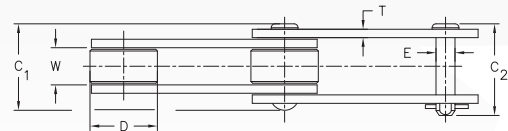
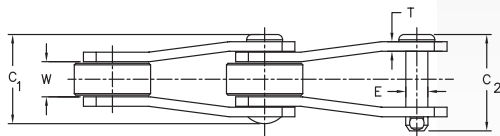


BUSHINGS



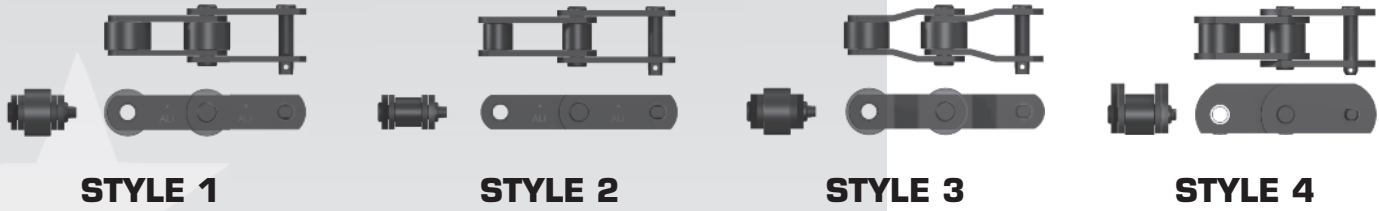
Chain Number	ROLLER TYPE	BUSHING TYPE	Pins		Bushings		Rollers		Sidebars Heat Treated	ATTACHMENTS
			STD. MAT'L	STD. H.T.	STD. MAT'L	STD. H.T.	STD. MAT'L	STD. H.T.		
4.000"										
MSR3957	P	P	ALLOY	IND. HARDENED	ALLOY	CASE HARDENED	ALLOY	THRU HARDENED	●	K2
MSF4013	F	P	CAR STL	CASE HARDENED	CAR STL	CASE HARDENED	CAR STL	CASE HARDENED	●	A1/A2, A42, K1/K2, M
MSR4019	P	P	CAR STL	THRU HARDENED	CAR STL	CASE HARDENED	CAR STL	CASE HARDENED	●	A1/A2, K1/K2, D, F, G
MSR4070	J	P	ALLOY	THRU HARDENED	CAR STL	CASE HARDENED	CAR STL	CASE HARDENED	●	EP1010
MSR4071	J	P	ALLOY	IND. HARDENED	ALLOY	CASE HARDENED	ALLOY	CASE HARDENED	●	EP1010, M10
MSR4100	J	D	ALLOY	THRU HARDENED	ALLOY	CASE HARDENED	ALLOY	THRU HARDENED	●	K3
MSR4119	P	P	CAR STL	THRU HARDENED	CAR STL	CASE HARDENED	CAR STL	CASE HARDENED	●	A1/A2, D5
MSR4216	P	P	CAR STL	CASE HARDENED	CAR STL	CASE HARDENED	CAR STL	CASE HARDENED	●	A1/A2, K1/K2
MSR4219	P	P	CAR STL	THRU HARDENED	CAR STL	CASE HARDENED	CAR STL	CASE HARDENED	●	A53, A63
MSR4328	J	P	ALLOY	IND. HARDENED	CAR STL	CASE HARDENED	CAR STL	CASE HARDENED	●	A1, K1, K11, K12
MXS7124	P	P	ALLOY	IND. HARDENED	ALLOY	CASE HARDENED	ALLOY	THRU HARDENED	●	
4.040"										
MSR2227	P	P	ALLOY	IND. HARDENED	CAR STL	CASE HARDENED	CAR STL	THRU HARDENED	●	K22, K26
MSR3420	P	P	CAR STL	CASE HARDENED	SS	THRU HARDENED	CAR STL	CASE HARDENED	●	K2
6.000"										
CC5 (1617)	J	P	CAR STL	CASE HARDENED	CAR STL	CASE HARDENED	CAR STL	CASE HARDENED	●	K2, HEX, TOP-ROLLER
MSR622	F, P	J	ALLOY	CASE HARDENED	CAR STL	CASE HARDENED	ALLOY	CASE HARDENED	●	A2, K2
MSR624	F	J	ALLOY	IND. HARDENED	CAR STL	CASE HARDENED	CAR STL	CASE HARDENED	●	
MSR658	F	P	ALLOY	THRU HARDENED	CAR STL	CASE HARDENED	ALLOY	CASE HARDENED	●	A2, AR5, A2W, K2
MSR944+	P	P	CAR STL	THRU HARDENED	CAR STL	CASE HARDENED	CAR STL	CASE HARDENED	●	K11, M10
MSR953	P	P	CAR STL	THRU HARDENED	CAR STL	CASE HARDENED	CAR STL	CASE HARDENED	●	
MSR996	J	P	CAR STL	THRU HARDENED	CAR STL	CASE HARDENED	CAR STL	CASE HARDENED	●	A2, EP, K1, K2, K11, K26
MSR1114	P	P	CAR STL	CASE HARDENED	ALLOY	CASE HARDENED	CAR STL	CASE HARDENED	●	A2, A42, K2
MSR1116	F, P	P	CAR STL	CASE HARDENED	CAR STL	CASE HARDENED	CAR STL	CASE HARDENED	●	A2, A42, K2, K21, M
MSR2178	J	P	ALLOY	IND. HARDENED	CAR STL	CASE HARDENED	CAR STL	CASE HARDENED	●	A42, K2
MSR2184P	J	P	ALLOY	IND. HARDENED	CAR STL	CASE HARDENED	CAR STL	CASE HARDENED	●	A42
MSR2184HD	J	J	ALLOY	IND. HARDENED	ALLOY	CASE HARDENED	ALLOY	CASE HARDENED	●	A42
MSR2198	J	P	ALLOY	THRU HARDENED	CAR STL	CASE HARDENED	CAR STL	CASE HARDENED	●	K2, K25
MSR2198HD	J	J	ALLOY	IND. HARDENED	ALLOY	CASE HARDENED	ALLOY	CASE HARDENED	●	K2, K25
MSR2856	P	J	ALLOY	IND. HARDENED	ALLOY	CASE HARDENED	ALLOY	CASE HARDENED	●	M16
MSR3940	P	P	ALLOY	IND. HARDENED	ALLOY	CASE HARDENED	ALLOY	THRU HARDENED	●	K2
MSR6018	P	P	CAR STL	CASE HARDENED	CAR STL	CASE HARDENED	CAR STL	CASE HARDENED	●	A1/A2, K1/K2, EP
MSR6238	J	P	CAR STL	THRU HARDENED	CAR STL	CASE HARDENED	CAR STL	CASE HARDENED	●	A2, K2, M3

* Partial list of common attachments. Many additional attachments are available upon request.

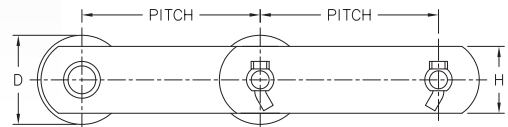
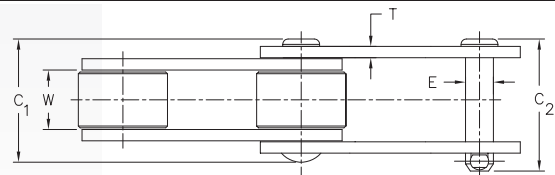


MSR CLASS BUSHED ROLLER STEEL CHAIN

**ALLIED-LOCKE
INDUSTRIES**

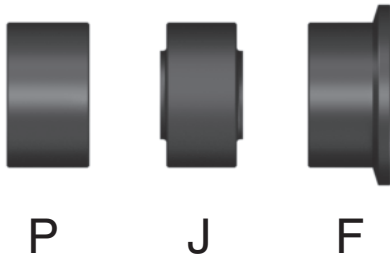


Chain Number	DIMENSIONS IN INCHES								AVG. ULTIMATE STRENGTH LBS	WORKING LOAD LBS	AVG. WEIGHT PER FT. LBS	LINKS PER 10 FEET	CHAIN STYLE
	PITCH	PIN	RIV.	COTT.	ROLLER	W	Link Plate						
	P	E	C1	C2	D		H	T					
6.000"													
MSR6272	6.000	.625	-	3.25	2.25	1.31	1.50	.31	28,000	3,150	8.0	20	1
MXS7126	6.000	.625	2.81	2.95	1.25	1.50	2.00	.31	25,000	4,600	6.7	20	3
MSR9063	6.000	.938	-	3.98	3.00	1.50	2.50	.38	140,000	7,400	18.7	20	1
MSR9065	6.000	1.062	-	2.41	3.00	1.50	2.38	.50	160,000	9,300	15.5	20	1
MSR9184	6.000	.938	4.08	4.39	3.00	1.53	2.50	.50	100,000	8,300	15.2	20	3
MSR9185	6.000	.938	4.08	4.39	3.50	1.53	2.50	.50	140,000	8,300	18.2	20	1
MSR9856	6.000	1.000	-	5.94	2.75	3.00	2.50	.50	100,000	14,000	22.0	20	1
8.000"													
81X-8	8.000	.438	2.00	2.08	.91	1.07	1.12	.16	24,000	2,100	1.8	20	2
MSR2800	8.000	1.000	-	4.76	3.50	1.81	2.75	.50	100,000	9,800	22.0	20	1
MSR2804	8.000	1.500	-	6.64	4.25	3.64	3.50	.50	150,000	24,300	44.0	20	1
9.000"													
MSR911	9.000	.625	-	3.34	3.00	1.50	2.00	.31	38,000	4,650	8.5	13	1
MSR922	9.000	.750	-	4.34	3.50	2.00	2.00	.38	50,000	7,200	17.0	13	1
MSR925	9.000	.750	-	4.34	3.50	2.00	2.50	.38	50,000	7,200	11.7	13	1
MSR933	9.000	.875	-	4.72	4.00	2.25	2.50	.38	56,000	9,200	16.5	13	1
MSR958	9.000	.625	-	3.32	3.00	1.62	2.00	.25	30,000	4,650	10.2	13	1
MSR975	9.000	1.000	-	5.68	5.00	2.62	2.50	.50	90,000	12,700	25.0	13	1
MSR4004	9.000	1.000	-	5.51	3.00	2.62	2.50	.50	85,000	12,700	18.0	13	1
MSR4009	9.000	.875	-	4.67	3.00	2.25	2.50	.38	67,000	9,200	13.0	13	1
MSR4065	9.000	1.250	-	6.50	4.25	3.06	3.50	.62	150,000	18,900	37.0	13	1
12.000"													
MSR1221	12.000	.563	2.63	2.94	2.50	1.25	1.50	.25	21,000	3,450	4.5	10	1
MSR1222	12.000	.750	-	4.34	3.50	2.00	2.00	.38	50,000	7,200	8.5	10	1
MSR1233	12.000	.875	-	4.72	4.00	2.25	2.50	.38	56,000	9,200	14.0	10	1
MSR1244	12.000	1.000	-	5.69	5.00	2.62	2.50	.50	90,000	12,700	20.5	10	1
MSR1250	12.000	1.625	7.32	7.58	4.50	4.00	3.50	.63	230,000	33,150	39.3	10	1
MSR1256	12.000	.875	-	4.72	4.00	2.25	2.50	.38	70,000	10,000	11.5	10	1
MSR1265	12.000	.875	-	4.72	3.00	2.25	2.50	.38	70,000	10,000	12.8	10	1
18.000"													
MSR1822	18.000	.750	-	4.31	3.50	1.75	2.00	.38	50,000	7,200	8.4	7	1
MSR1833	18.000	.875	-	4.66	4.00	2.00	2.50	.38	56,000	9,200	11.2	7	1
MSR1844	18.000	1.000	-	5.69	5.00	2.62	2.50	.50	90,000	12,700	18.2	7	1





ROLLERS

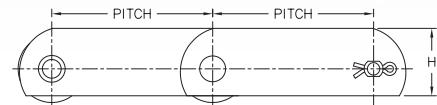
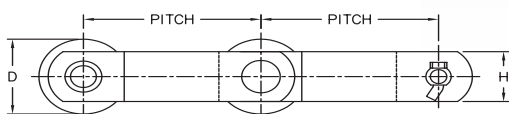
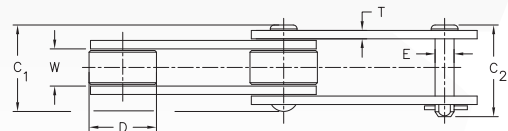
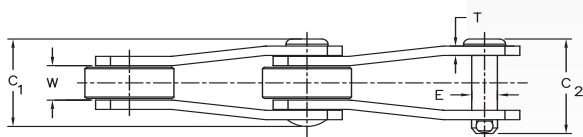


BUSHINGS



Chain Number	ROLLER TYPE	BUSHING TYPE	Pins		Bushings		Rollers		Sidebars Heat Treated	ATTACHMENTS
			STD. MAT'L	STD. H.T.	STD. MAT'L	STD. H.T.	STD. MAT'L	STD. H.T.		
6.000"										
MSR6272	P	J	CAR STL	CASE HARDENED	SS	HEAT TREATED	CAR STL	CASE HARDENED		K2
MSR7126	P	P	ALLOY	CASE HARDENED	ALLOY	CASE HARDENED	ALLOY	CASE HARDENED	●	
MSR9063	J	P	ALLOY	THRU HARDENED	ALLOY	CASE HARDENED	CAR STL	CASE HARDENED	●	K2
MSR9065	J	P	ALLOY	IND. HARDENED	ALLOY	CASE HARDENED	CAR STL	CASE HARDENED	●	K2
MSR9184	J	P	ALLOY	IND. HARDENED	ALLOY	CASE HARDENED	CAR STL	CASE HARDENED	●	A42
MSR9185	P	J	ALLOY	IND. HARDENED	ALLOY	CASE HARDENED	CAR STL	CASE HARDENED	●	A42
MSR9856	P	J	ALLOY	IND. HARDENED	ALLOY	CASE HARDENED	ALLOY	CASE HARDENED	●	A, M2, K44
8.000"										
81X-8	P	P	CAR STL	CASE HARDENED	CAR STL	CASE HARDENED	CAR STL	CASE HARDENED	●	
MSR2800	J	J	ALLOY	IND. HARDENED	ALLOY	CASE HARDENED	ALLOY	CASE HARDENED	●	K22
MSR2804	J	P	ALLOY	THRU HARDENED	ALLOY	THRU HARDENED	ALLOY	CASE HARDENED	●	K2
9.000"										
MSR911P	J	P	ALLOY	THRU HARDENED	ALLOY	CASE HARDENED	CAR STL	CASE HARDENED		G16
MSR922	J, F	J	ALLOY	CASE HARDENED	CAR STL	CASE HARDENED	ALLOY	CASE HARDENED		A2, K2
MSR925	J	J	CAR STL	THRU HARDENED	CAR STL	CASE HARDENED	ALLOY	CASE HARDENED		M42
MSR933	F, J	P	ALLOY	THRU HARDENED	CAR STL	CASE HARDENED	ALLOY	CASE HARDENED		A2, K2
MSR958	F	J	CAR STL	CASE HARDENED	CAR STL	CASE HARDENED	ALLOY	CASE HARDENED		AR4
MSR975	F	P	CAR STL	HEAT TREATED	CAR STL	CASE HARDENED	ALLOY	CASE HARDENED		G, K11, M10
MSR4004	P	J	ALLOY	IND. HARDENED	ALLOY	CASE HARDENED	CAR STL	CASE HARDENED	●	G5
MSR4009	P	J	ALLOY	IND. HARDENED	ALLOY	CASE HARDENED	CAR STL	CASE HARDENED	●	G5
MSR4065	P	J	ALLOY	IND. HARDENED	ALLOY	CASE HARDENED	CAR STL	CASE HARDENED	●	G5, G6
12.000"										
MSR1221	P	P	CAR STL	CASE HARDENED	CAR STL	CASE HARDENED	CAR STL	CASE HARDENED	●	G20
MSR1222	F, J	J	CAR STL	HEAT TREATED	CAR STL	HEAT TREATED	CAR STL	CASE HARDENED		A2, G
MSR1233	F, P	P	ALLOY	HEAT TREATED	CAR STL	CASE HARDENED	ALLOY	CASE HARDENED		A2, G16, K2
MSR1244	F	P	CAR STL	HEAT TREATED	CAR STL	CASE HARDENED	ALLOY	CASE HARDENED		A, G
MSR1250	P	J	ALLOY	IND. HARDENED	ALLOY	CASE HARDENED	ALLOY	CASE HARDENED	●	G3
MSR1256	J	P	ALLOY	CASE HARDENED	ALLOY	CASE HARDENED	ALLOY	CASE HARDENED	●	A6
MSR1265	P	P	ALLOY	CASE HARDENED	ALLOY	CASE HARDENED	CAR STL	CASE HARDENED		
18.000"										
MSR1822	F, J	I	ALLOY	HEAT TREATED	ALLOY	CASE HARDENED	ALLOY	CASE HARDENED		A2, K2
MSR1833	F, J	I	ALLOY	HEAT TREATED	ALLOY	CASE HARDENED	ALLOY	CASE HARDENED		A2, K2
MSR1844	F, J	P	CAR STL	HEAT TREATED	CAR STL	CASE HARDENED	ALLOY	CASE HARDENED		G

* Partial list of common attachments. Many additional attachments are available upon request.

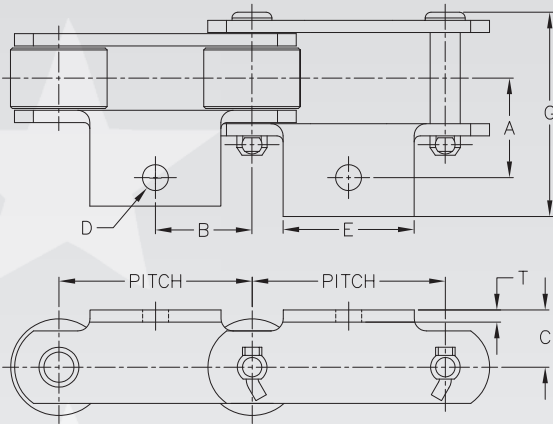


MSR CLASS STEEL CHAIN "A" ATTACHMENTS

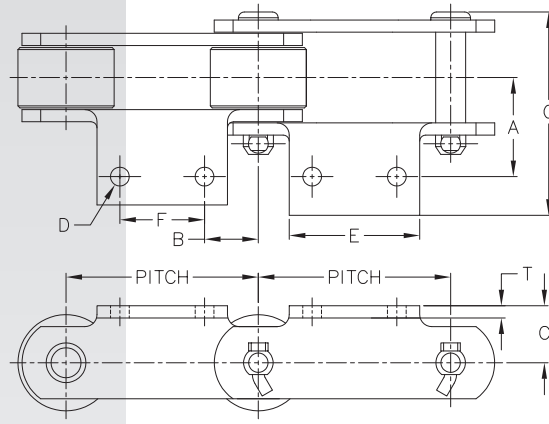
**ALLIED-LOCKE
INDUSTRIES**



A1

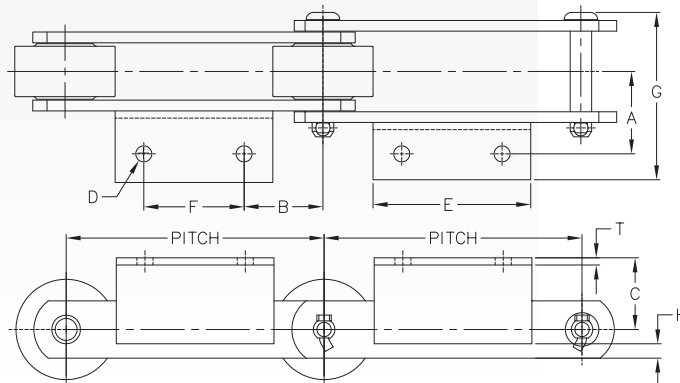


A2



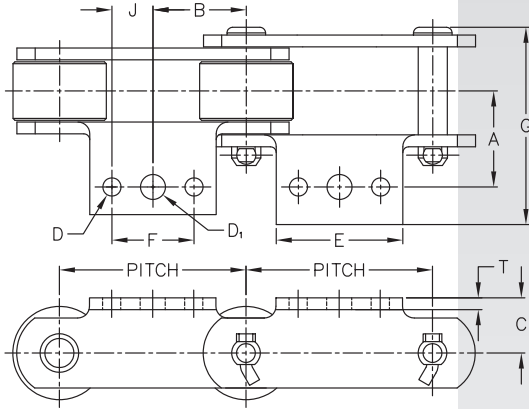
A-L CHAIN & ATTACHMENT NO.		DIMENSIONS IN DECIMAL INCHES										AVG. WEIGHT PER FT. LBS.
		PITCH	A	B	C	D		E	F	G	T	
						BOLT DIA.	HOLE DIA.					
MSR1539	A2	3.075	2.00	.59	1.25	.31	.34	2.75	1.88	4.22	.31	8.0
MSR4328	A1	4.000	2.00	2.00	1.25	.50	.56	2.00	-	4.56	.38	11.2
MSR622	A2	6.000	2.44	1.75	1.62	.50	.56	5.38	2.50	5.31	.38	17.1
MSR996	A2	6.000	2.19	1.50	1.62	.50	.56	5.38	3.00	4.81	.38	14.2
MSR1114	A2	6.000	2.00	2.00	1.12	.38	.41	3.50	2.00	4.42	.31	8.5
MSR1116	A2	6.000	2.00	2.00	1.12	.38	.41	3.50	2.00	3.94	.25	6.0
MSR6238	A2	6.000	2.12	1.69	1.62	.50	.56	5.38	2.62	4.66	.38	13.4
MSR658	A2W	6.000	2.62	1.50	2.50	.38	.44	4.25	3.00	5.07	.25	13.2
MSR922	A2W	9.000	2.88	2.75	2.50	.50	.56	5.50	3.50	5.94	.38	14.5
MSR922	A2W	9.000	2.88	2.75	2.50	.50	.56	5.50	3.50	5.94	.38	14.5
MSR933	A20W	9.000	3.25	3.94	2.50	.38	.44	2.25	1.12	6.16	.38	19.0
MSR1222	A2W	12.000	2.87	4.25	2.50	.50	.56	5.50	3.50	5.94	.38	10.5

A2W, A20W (Welded)

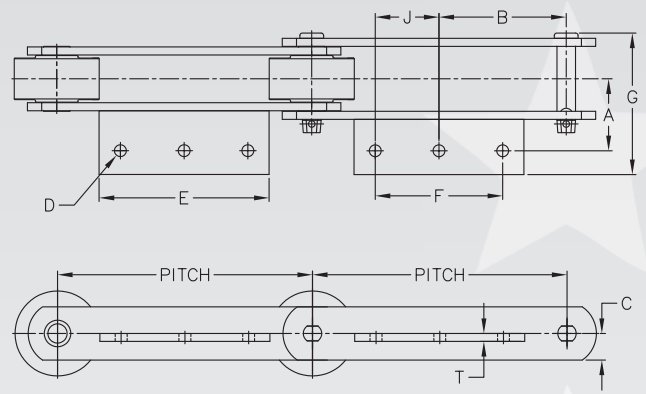




A3 (A1/A2)

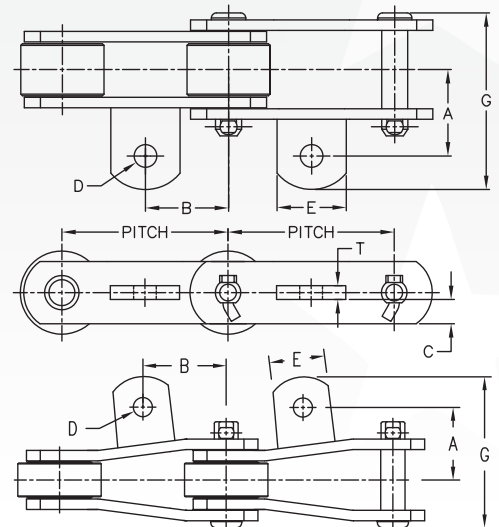


A6



A-L CHAIN & ATTACHMENT NO.		DIMENSIONS IN DECIMAL INCHES													AVG. WEIGHT PER FT. LBS.
		PITCH	A	B	C	D		D1		E	F	G	J	T	
						BOLT DIA.	HOLE DIA.	BOLT DIA.	HOLE DIA.						
MSR3013	A3 (A1/A2)	3.000	1.47	1.50	.81	.25	.28	.31	.33	2.00	1.06	3.19	.53	.19	4.5
MSR3811	A3 (A1/A2)	4.000	2.38	2.00	1.12	-	.50	-	.50	2.50	1.50	4.41	.75	.25	13.0
MSR4013	A3 (A1/A2)	4.000	1.38	2.00	.81	.31	.34	.38	.41	2.50	1.19	3.19	.59	.19	3.9
MSR4019	A3 (A1/A2)	4.000	1.38	2.00	.88	.38	.41	.38	.41	2.50	1.50	3.06	.75	.25	4.7
MSR4119	A3 (A1/A2)	4.000	1.38	2.00	.88	.38	.41	.38	.41	2.50	1.50	3.06	.75	.25	4.7
MSR4216	A3 (A1/A2)	4.000	2.00	2.00	1.12	.38	.41	.38	.41	3.25	2.00	3.92	1.00	.19	6.5
MSR6018	A3 (A1/A2)	6.000	2.00	3.00	1.25	.38	.41	.38	.41	3.00	2.00	3.75	1.00	.25	5.4
MSR1256	A6	12.000	3.38	6.00	1.25	-	.56	-	-	8.00	6.00	6.69	3.00	.38	13.3

A42



A-L CHAIN & ATTACHMENT NO.		DIMENSIONS IN DECIMAL INCHES									AVG. WEIGHT PER FT. LBS.
		PITCH	A	B	D		E	G	T		
					BOLT DIA.	HOLE DIA.					
STRAIGHT SIDEBAR											
MSR3013	A42	3,000	1.56	1.50	.38	.41	1.25	3.25	.25	4.3	
MSR4013	A42	4.000	1.62	2.00	.38	.41	1.25	2.16	.38	3.7	
MSR1114	A42	6.000	2.34	3.00	.62	.69	2.00	4.66	.50	6.8	
MSR1116	A42	6.000	2.34	3.00	.62	.69	2.00	4.47	.50	6.2	
MSR2178	A42	6.000	2.97	3.00	.62	.69	2.00	5.78	.62	14.0	
OFFSET SIDEBAR											
MSR2184	A42	6.000	2.62	3.00	.62	.69	2.00	5.44	.50	12.9	
MSR2184HD	A42	6.000	2.62	3.48	.62	.66	2.00	5.44	.62	13.1	
MSR9184	A42	6.000	3.12	3.00	.62	.69	2.00	6.16	.62	15.5	
MSR9185	A42	6.000	3.12	3.00	.62	.66	2.00	6.16	.62	18.5	

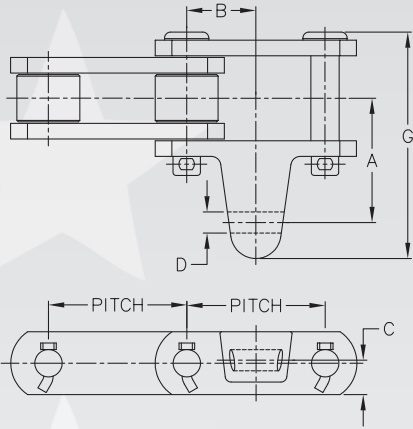


MSR CLASS STEEL CHAIN "A" ATTACHMENTS

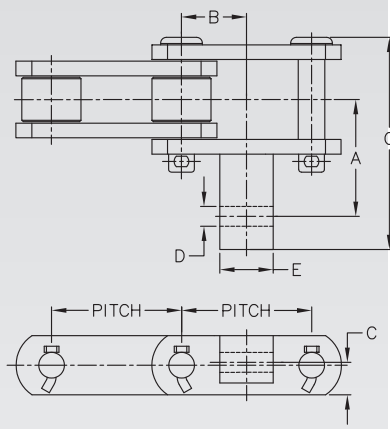
**ALLIED-LOCKE
INDUSTRIES**



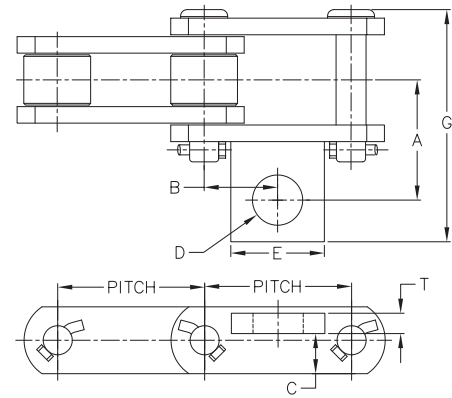
A50



A60

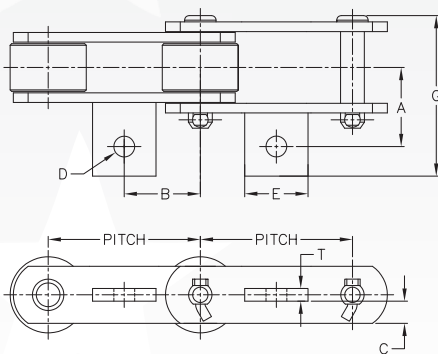


A86

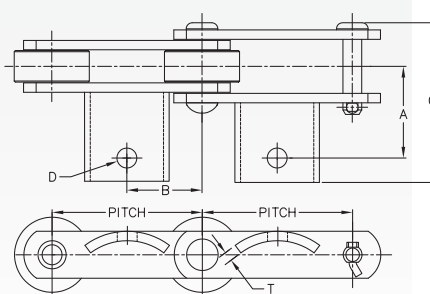


A-L CHAIN & ATTACHMENT NO.		DIMENSIONS IN DECIMAL INCHES									AVG. WEIGHT PER FT. LBS.
		PITCH	A	B	C	D	E	F	G	T	
MSR1594	A50	2.750	2.47	1.38	.56	.42	-	-	4.50	1.00	5.5
MSR1594	A60	2.750	2.41	1.38	.66	.41	1.38	-	4.50	1.00	5.7
MSR1594	A86	2.750	2.25	1.38	.75	.94	1.75	-	4.35	.38	5.4
MSR4219	A63	4.000	1.62	2.00	1.13	.53	2.00	-	3.38	.25	5.2
MSR4219	A53	4.000	2.44	2.00	-	.53	2.25	-	4.25	.25	5.5
MSR9856	A23	6.000	4.01	2.25	1.00	.53	2.50	1.50	7.25	.25	25.0

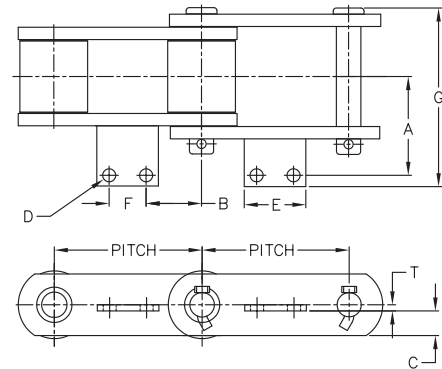
A63



A53

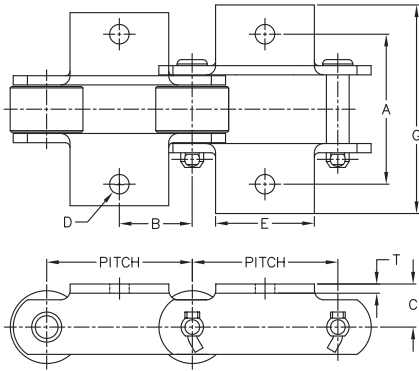


A23

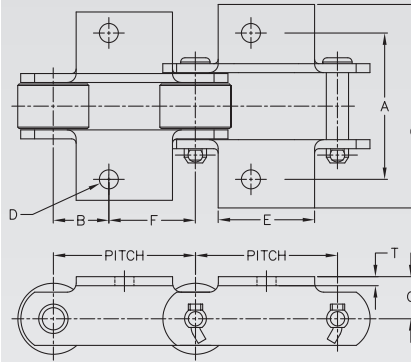




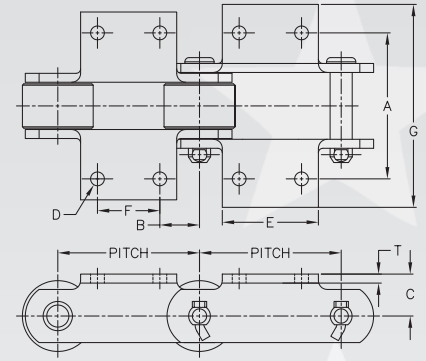
K1, K11



K12



**K2, K21, K25, K44
(Standard Width)**



A-L CHAIN & ATTACHMENT NO.		DIMENSIONS IN DECIMAL INCHES										AVG. WEIGHT PER FT. LBS.
		PITCH	A	B	F	D		E	C	G	T	
						BOLT DIA.	HOLE DIA.					
MSR149	K1	4.000	4.00	2.00	-	.50	.56	2.00	1.25	5.88	.38	12.2
MSR4328	K1	4.000	4.00	2.00	-	.50	.56	2.00	1.25	5.88	.38	12.2
MSR4328	K11	4.000	4.75	2.00	-	.50	.56	2.00	1.25	5.88	.38	12.2
MSR4328	K12	4.000	4.31	1.75	2.25	.50	.56	2.00	1.25	5.88	.38	12.2
MSR944	K11	6.000	4.75	2.50	-	.62	.69	2.50	1.62	7.31	.38	12.0

A-L CHAIN & ATTACHMENT NO.		DIMENSIONS IN DECIMAL INCHES										AVG. WEIGHT PER FT. LBS.
		PITCH	A	B	F	D		E	C	G	T	
						BOLT DIA.	HOLE DIA.					
STANDARD WIDTH												
MSR3420	K2	4.040	4.12	1.27	1.50	.38	.44*	2.88	1.25	5.38	.31	11.4
MSR996	K2	6.000	4.38	1.50	3.00	.50	.56	5.38	1.62	6.00	.38	11.8
MSR1114	K2	6.000	4.00	2.00	2.00	.38	.41	3.50	1.12	5.84	.31	9.5
MSR1116	K2	6.000	4.00	2.00	2.00	.38	.41	3.50	1.12	5.19	.25	7.0
MSR1116	K21	6.000	4.00	2.00	2.00	.38	.41	3.50	1.12	5.19	.25	7.0
MSR2198	K2	6.000	4.38	1.50	3.00	.50	.56	4.38	1.62	5.81	.50	12.0
MSR2198	K25	6.000	4.88	1.50	3.00	.50	.56	4.38	1.62	5.81	.50	18.2
MSR2198HD	K2	6.000	4.38	1.50	3.00	.50	.56	4.38	1.62	5.81	.50	18.2
MSR6238	K2	6.000	4.25	1.69	2.62	.50	.56	5.38	1.62	5.69	.38	15.8
MSR6272	K2	6.000	4.00	2.00	2.00	.38	.41	3.50	1.38	5.31	.31	9.2
MSR9063	K2	6.000	4.38	1.50	3.00	.50	.56	4.31	1.75	6.25	.38	18.7
MSR9065	K2	6.000	4.38	1.50	3.00	.50	.56	4.50	1.69	6.67	.50	20.2
MSR9856	K44	6.000	7.25	1.75	2.50	.75	.81	4.31	1.88	9.06	.50	25.0
MSR2800	K22	8.000	5.19	2.38	3.25	.62	.69	5.00	2.19	7.22	.50	26.2
MSR2804	K2	8.000	7.62	2.38	3.25	.62	.69	5.75	2.75	9.34	.50	47.0

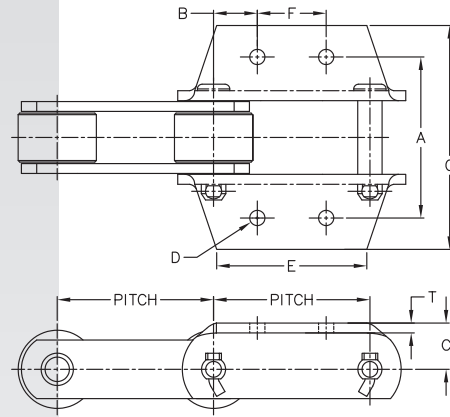
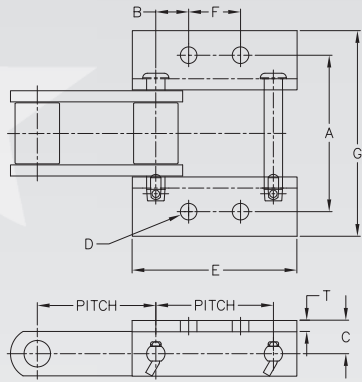


MSR CLASS STEEL CHAIN "K" ATTACHMENTS

**ALLIED-LOCKE
INDUSTRIES**

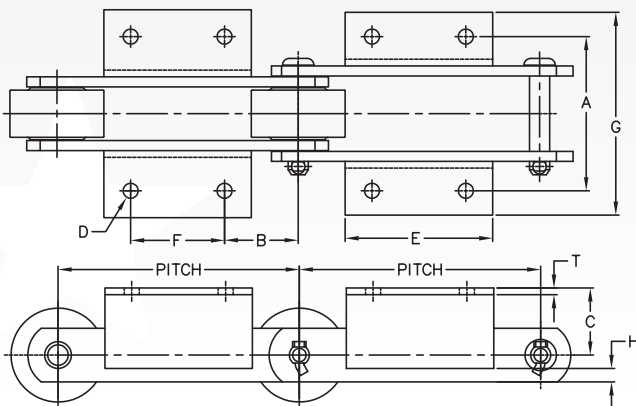


K2, K24, K26 (Full Width)

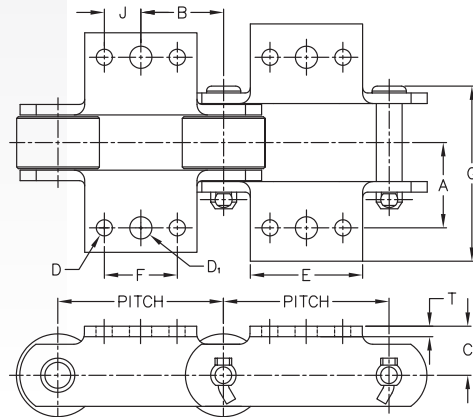


A-L CHAIN & ATTACHMENT NO.	DIMENSIONS IN DECIMAL INCHES															AVG. WEIGHT PER FT. LBS.
	PITCH	A	B	F	J	D		D1		C	E	G	H	T		
						BOLT DIA.	HOLE DIA.	BOLT DIA.	HOLE DIA.							
MSR4539	K22/K24	3.075	4.19	.75	1.56	-	.63	.69	-	-	1.25	4.69	5.19	-	.31	10.0
MSR3952	K2	4.000	5.50	1.12	1.75	-	.50	.56	-	-	1.62	6.00	6.75	-	.38	13.8
MSR3957	K2	4.000	5.31	.75	2.50	.50	.50	.56	-	-	1.38	5.56	6.47	-	.38	11.5
MSR3433	K26	4.000	5.28	1.12	1.75	.50	.50	.56	-	-	1.12	5.56	6.94	-	.38	9.5
MSR2227	K22	4.040	5.38	1.12	1.75	.62	.63	.69	-	-	2.00	6.00	7.06	-	.38	12.0
MSR2227	K26	4.040	6.00	.00	4.00	-	.63	.69	-	-	2.00	6.00	7.06	-	.38	13.5
MSR3940	K2	6.000	6.25	1.84	2.31	.50	.50	.56	-	-	2.00	6.75	7.81	-	.38	15.4
MSR922	K2W	9.000	5.75	2.75	3.50	.50	.50	.56	-	-	2.50	5.50	7.75	.50	.25	18.0
MSR2188	K3 (K1/K2)	4.000	3.62	2.00	1.75	.88	.50	.56	.50	.56	1.00	3.00	5.31	-	.31	8.8
MSR4013	K3 (K1/K2)	4.000	2.75	2.00	1.19	.60	-	.50	-	.50	1.12	2.50	4.41	-	.19	4.4
MSR4019	K3 (K1/K2)	4.000	2.76	2.00	1.50	.75	.38	.41	.38	.41	.88	2.50	3.75	-	.25	5.3
MSR4100	K3 (K1/K2)	4.000	2.00	2.00	1.00	1.00	.56	.62	.38	.41	1.44	3.25	5.25	-	.25	9.5
MSR996	K26 (K1/K2)	6.000	4.38	3.00	3.00	1.50	.50	.56	.50	.56	1.62	5.38	6.00	-	.38	15.8
MSR6018	K3 (K1/K2)	6.000	4.00	3.00	2.00	1.00	.31	.41	.31	.41	1.25	3.00	5.00	-	.25	6.2

K2W



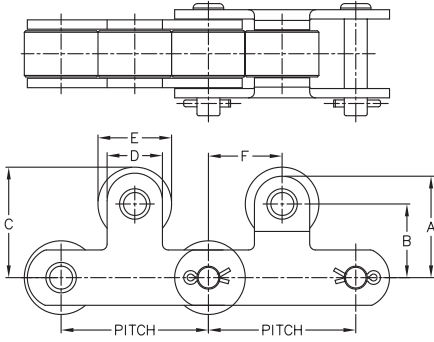
K3 (K1, K2)



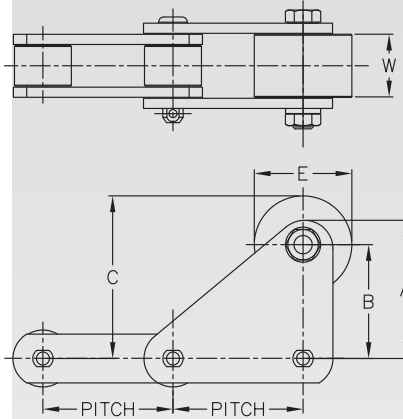


MSR CLASS STEEL CHAIN "M" ATTACHMENTS

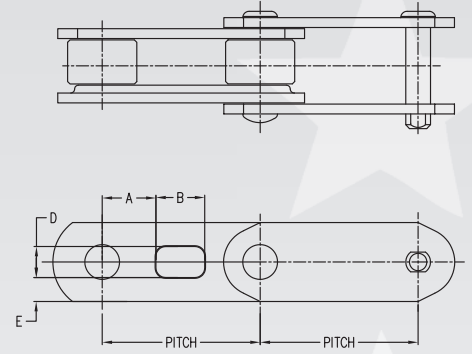
MSR3013 M3



MSR2188, MSR4328 M3

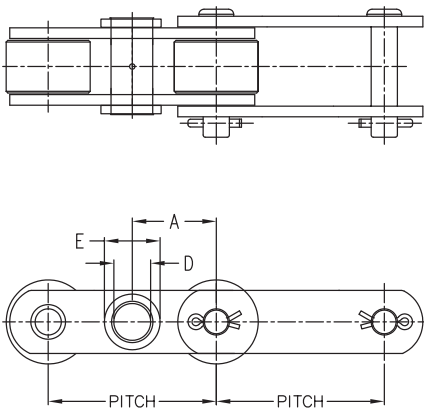


MSR3343 M10

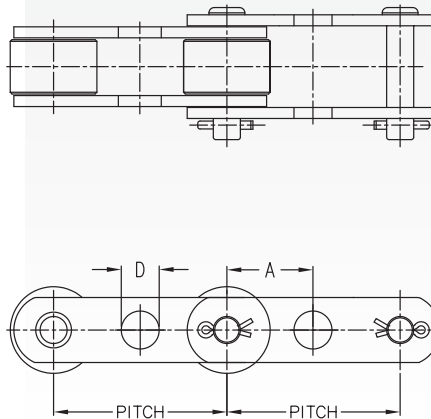


A-L CHAIN & ATTACHMENT NO.		DIMENSIONS IN DECIMAL INCHES								AVG. WEIGHT PER FT. LBS.
		PITCH	A	B	C	D	E	F	W	
MSR3013	M3	3.000	2.69	1.50	3.00	1.12	1.50	1.50	1.00	6.1
MSR2188	M3-2"	4.000	5.00	3.50	5.44	-	2.00	-	1.94	17.2
MSR2188	M3-3"	4.000	4.25	3.50	5.88	-	3.00	-	2.00	12.5
MSR4328	M3	6.000	7.00	4.88	7.63	-	3.00	-	2.00	19.0
MSR3343	M10	2.609	.66	1.28	-	.66	.48	-	-	6.4
MSR4071	M10	4.000	2.00	-	-	1.16	1.75	-	-	10.5
MSR944	M10	4.000	3.00	-	-	1.00	-	-	-	9.2
MSR925	M92	6.000	4.50	-	-	.92	1.38	-	-	13.3

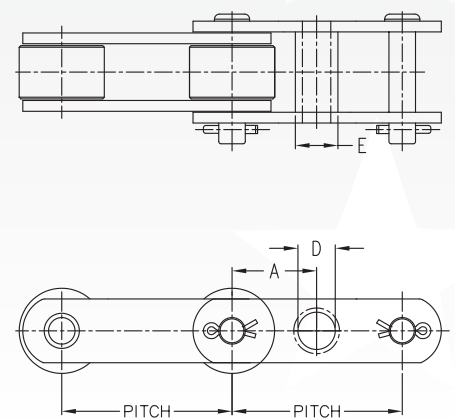
MSR4071 M10



MSR944 M10



MSR925 M92

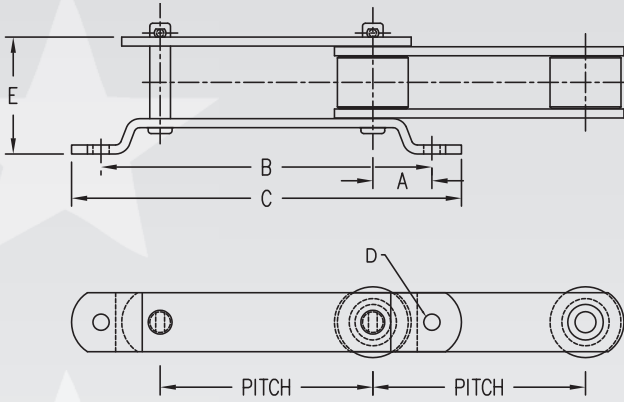


MSR CLASS STEEL CHAIN "G" ATTACHMENTS

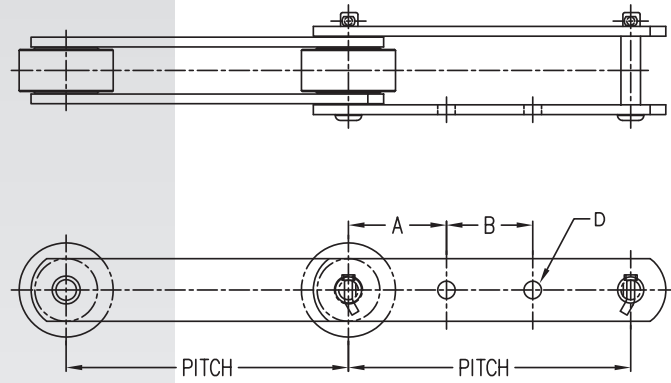
**ALLIED-LOCKE
INDUSTRIES**



G5

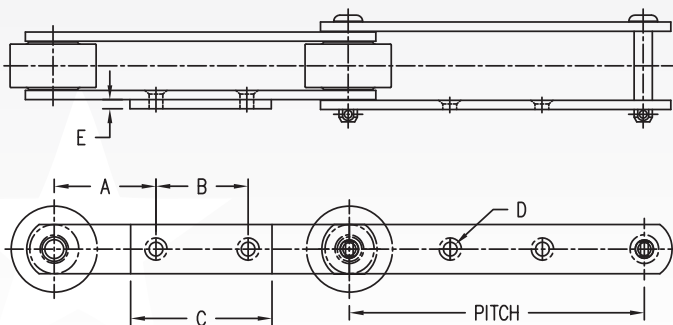


MSR911 G16

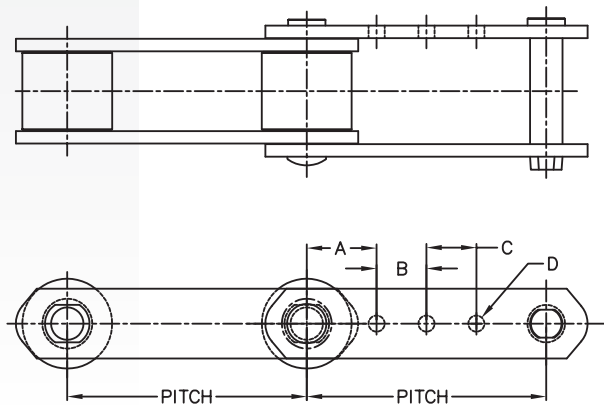


A-L CHAIN & ATTACHMENT NO.		DIMENSIONS IN DECIMAL INCHES						AVG. WEIGHT PER FT. LBS.
		PITCH	A	B	C	D	E	
MSR4004	G5	9.000	2.50	14.00	16.50	.69	5.68	19.7
MSR4009	G5	9.000	2.50	14.00	16.50	.69	4.95	14.7
MSR4065	G5	9.000	2.50	14.00	16.50	.69	6.75	40.0
MSR911	G16	9.000	3.12	2.75	-	.56	-	8.5
MSR1222	G16	12.000	4.12	3.75	5.75	.56	.38	12.5
MSR1250	G3	12.000	3.50	2.50	2.50	.81	-	39.3

MSR1222 G16 (Countersunk)

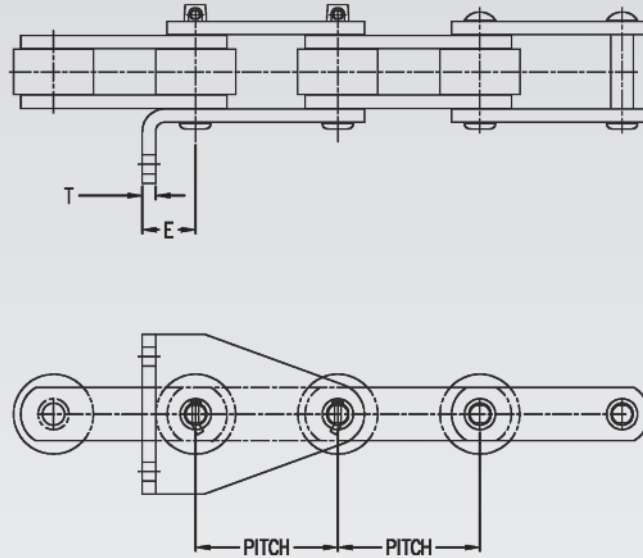
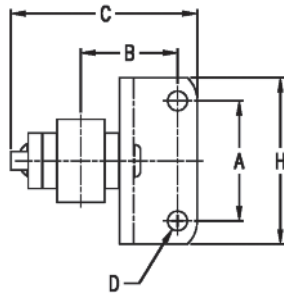


MSR1250 G3



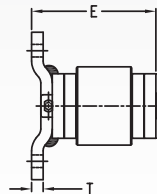
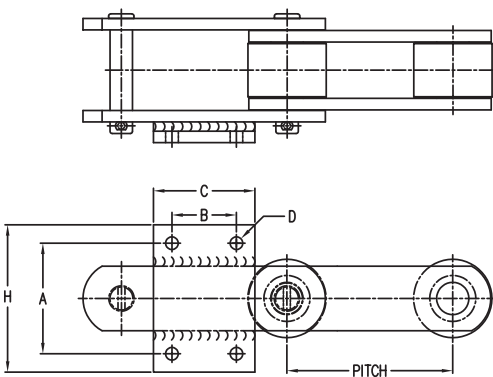


MSR149 G19

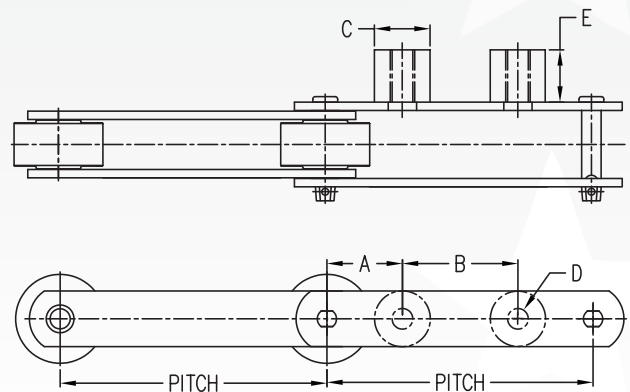


A-L CHAIN & ATTACHMENT NO.		DIMENSIONS IN DECIMAL INCHES								AVG. WEIGHT PER FT. LBS.
		PITCH	A	B	C	D	E	H	T	
MSR149	G19	4.000	3.25	2.61	5.03	.53	1.50	4.50	.38	11.7
MSR4065	G6	9.000	6.00	3.50	5.50	.69	6.75	8.00	.62	41.2
MSR1221	G20	12.000	3.00	6.00	1.25	.50	1.25	-	-	4.5

MSR4065 G6

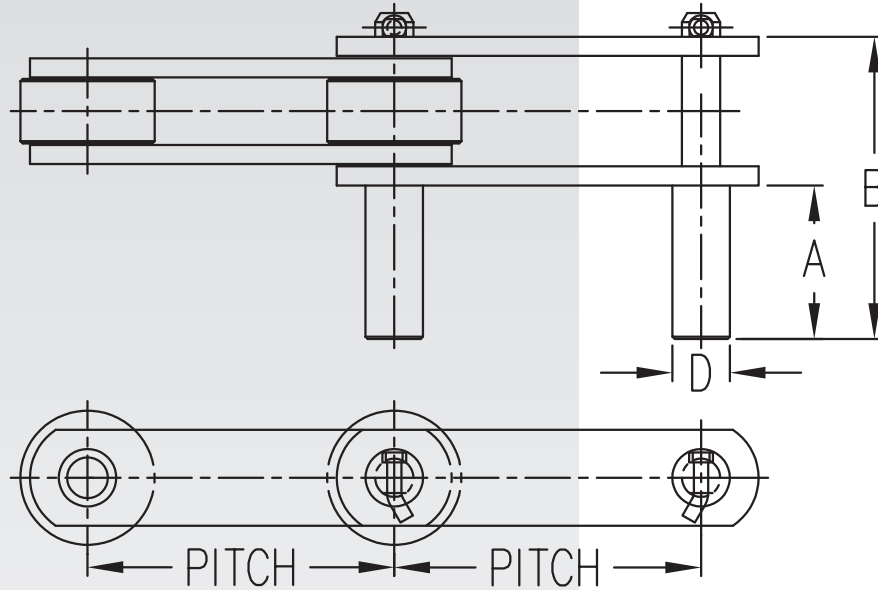


MSR1221 G20



MSR CLASS STEEL CHAIN “D” & “EP” ATTACHMENTS

**ALLIED-LOCKE
INDUSTRIES**



A-L CHAIN & ATTACHMENT NO.		DIMENSIONS IN DECIMAL INCHES				AVG. WEIGHT PER FT. LBS.
		PITCH	A	B	D	
MSR2048	D5	2.000	1.75	4.03	.58	6.7
MSR303	D5	3.000	1.44	2.75	.50	2.2
MSR303*	D3	3.000	1.44	2.75	.50	2.1
MSR4119	D5	4.000	2.00	4.25	.75	5.2
MSR4071	EP1010	4.000	1.82	4.06	.62	6.7

* Has .16" hole, 1.125" from outer S/B
MSR4071 has extended pin end



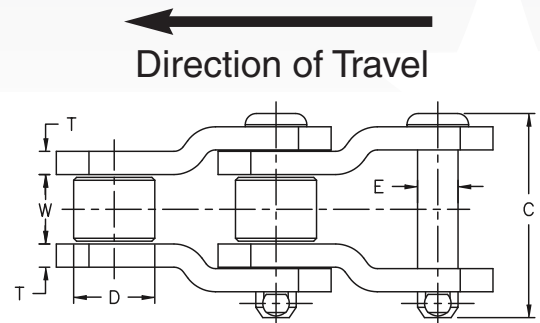


MXS CLASS STEEL DRIVE CHAIN

Allied-Locke Engineering Class Drive Chain is designed for power drives, construction machinery and conveyors. It operates under the most severe conditions at moderately high speeds. It is produced according to ANSI or manufacturer's standards. It may be interchanged with standard chains of other manufacturers, depending on the size. There are four basic styles.

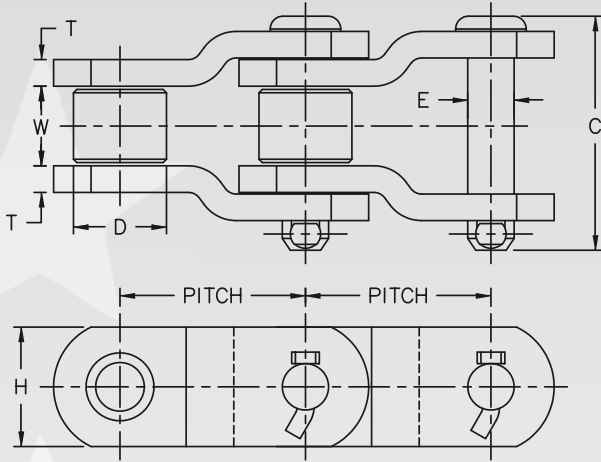
<p style="text-align: center;">Style 1</p> <p>Standard offset design consists of a roller, bushing, pin and standard offset sidebars</p>	<p style="text-align: center;">Style 2</p> <p>Special designed offset sidebars have a roller, bushing, pin and offset sidebars that are specially formed to optimize articulation where</p>	<p style="text-align: center;">Style 3</p> <p>Steel bushed offset sidebar chain has a bushing, pin and offset sidebars. It does not have a roller</p>	<p style="text-align: center;">Style 4</p> <p>Straight sidebar drive chain has a roller, bushing, pin and straight sidebars</p>

MXS and other drive chain is available with pitch currently ranging from 1.500" to 7.000". Average ultimate strength ranges from 20,000 to 600,000 pounds and working loads are available from 2,300 to 30,600 pounds. Drive chains are available in cottered construction only. the pins are press fitted into the sidebars, preventing pin rotation during chain operation. This also achieves maximum bearing surface between the pin and the sidebar. Offset drive chain should be run with the closed end first as the direction of travel. Sprockets are available for all applications of our chain.

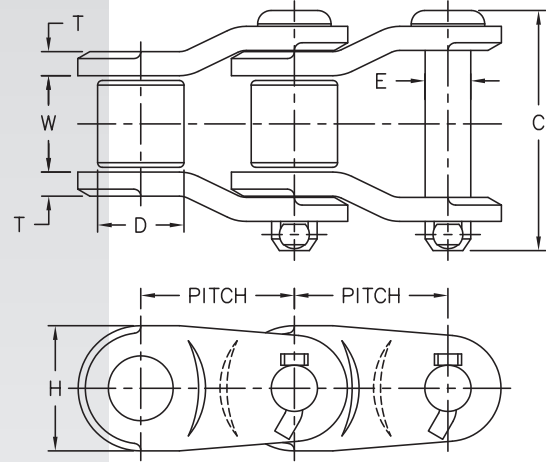


MXS CLASS STEEL DRIVE CHAIN

**ALLIED-LOCKE
INDUSTRIES**



Style 1



Style 2

A-L Chain Number	DIMENSIONS IN INCHES							AVG. ULTIMATE STRENGTH LBS	WORKING LOAD LBS	AVG. WEIGHT PER FT. LBS	LINKS PER 10 FEET	CHAIN STYLE
	PITCH	PIN E	COTT. C	ROLLER D	Link Plate W	H	T					
MXS3120	1.500	.437	2.25	.88	.97	1.42	.19	28,000	2,700	4.0	80	2
MXS432	1.654	.437	2.28	.88	1.00	1.12	.19	20,000	2,100	3.5	73	1
MXS3140	1.750	.500	2.48	1.00	.97	1.66	.22	35,900	3,200	5.2	69	2
MXS2070	2.000	.593	3.22	1.12	1.25	1.62	.31	70,000	3,800	7.6	60	2
MXS3160	2.000	.562	2.89	1.13	1.75	1.90	.25	49,900	4,400	6.7	60	2
MXS3180	2.250	.687	3.23	1.41	1.38	2.14	.29	62,000	6,100	9.6	53	2
MXS881	2.609	.438	2.38	.88	1.12	1.12	.19	20,000	2,300	3.0	46	1
MXS882	2.609	.438	2.62	.88	1.12	1.12	.25	26,000	2,500	3.6	46	1
MXS3011	3.067	.750	3.94	1.62	1.56	2.25	.38	110,000	6,100	13.2	39	1
MXS1031	3.075	.625	3.38	1.25	1.50	1.50	.31	48,000	4,650	7.3	39	1
MXS1032	3.075	.625	3.43	1.25	1.50	1.62	.31	60,000	4,650	7.7	39	1
MXS3075	3.075	.648	3.69	1.25	1.50	1.75	.31	75,000	5,100	9.0	39	1
MXS3514	3.500	.875	4.44	1.75	1.50	2.25	.50	140,000	7,650	16.0	34	1
MXS2124	4.000	.560	2.85	1.12	1.25	1.50	.25	44,000	3,430	4.8	30	1
MXS7124	4.000	.625	3.45	1.25	1.50	2.00	.31	50,000	4,650	7.3	30	1
MXS1242	4.063	.875	4.88	1.75	1.94	2.25	.50	140,000	9,000	15.6	30	1
MXS1245	4.073	.938	5.12	1.78	1.94	2.38	.56	170,000	10,050	18.6	30	1
MSR1353 *	4.090	1.312	5.75	2.62	2.25	3.50	.62	210,000	16,000	32.6	30	4
MXS4522	4.500	1.100	5.25	2.25	2.06	3.00	.56	220,000	12,300	25.0	27	1
MXS5031	5.000	1.250	6.25	2.50	2.75	3.50	.62	310,000	17,500	36.0	24	1
MXS5035	5.000	1.375	6.62	2.50	2.56	3.50	.75	350,000	19,600	38.1	24	1
MXS5542	5.500	1.500	7.12	3.00	3.00	4.00	.75	420,000	23,700	49.1	22	1
MXS88B	5.750	1.500	7.12	3.00	3.00	4.00	.75	420,000	23,700	49.0	21	1
MXS6042	6.000	1.500	7.12	3.00	3.00	4.00	.75	420,000	23,700	46.5	20	1
MSS6065 **	6.000	1.750	7.29	3.00	3.00	4.75	.75	600,000	27,600	51.7	20	3
MSR6060 *	6.000	1.750	8.06	3.50	3.25	5.00	.88	600,000	30,600	68.0	20	4
MSR7126 *	6.000	.625	3.19	1.25	1.50	2.00	.31	25,000	4,600	6.7	20	4
MSR6560 *	6.500	1.750	8.06	3.50	3.25	5.00	.88	600,000	30,600	72.0	19	4
MXS6565	6.500	1.750	8.06	3.50	3.25	5.00	.88	600,000	30,600	78.5	19	1
MSS2772 **	7.000	2.000	8.82	3.25	4.00	5.00	.88	600,000	40,250	67.0	17	3
MXS7065	7.000	1.750	8.06	3.50	3.25	5.00	.88	600,000	30,600	67.0	17	1
MSR7080 *	7.000	2.125	8.06	4.50	3.25	6.00	.88	800,000	37,150	89.6	17	4

* MSR Class Chain

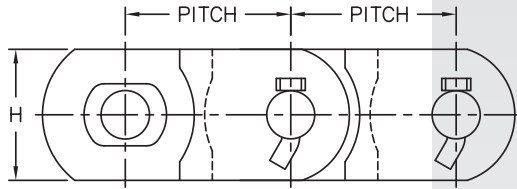
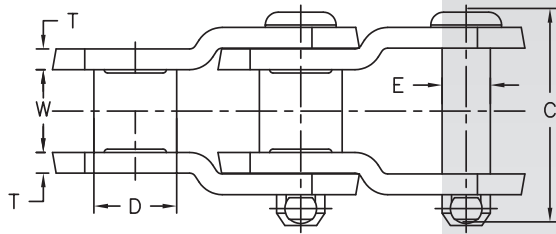
** MSS Class Chain



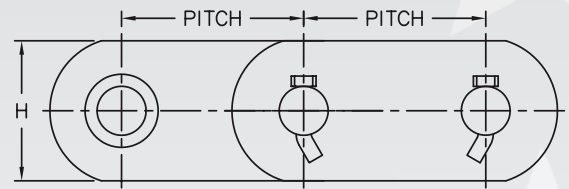
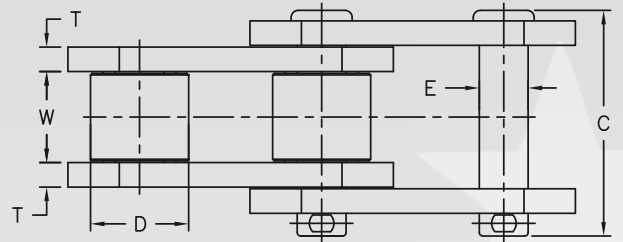


**ALLIED-LOCKE
INDUSTRIES**

MXS CLASS STEEL DRIVE CHAIN



Style 3



Style 4

Chain Number	Pins		Bushings		Rollers		Sidebars	
	STD. MAT'L	STD. H.T.	STD. MAT'L	Case Hardened	STD. MAT'L	Thru Hardened	STD. MAT'L	Heat Treated
MXS3120	ALLOY	THRU HARDENED	ALLOY	●	ALLOY	●	ALLOY	●
MXS432	CAR STL	CASE HARDENED	CAR STL	●	CAR STL	●	CAR STL	●
MXS3140	ALLOY	THRU HARDENED	ALLOY	●	ALLOY	●	ALLOY	●
MXS2070	ALLOY	THRU HARDENED	ALLOY	●	ALLOY	●	ALLOY	●
MXS3160	ALLOY	THRU HARDENED	ALLOY	●	ALLOY	●	ALLOY	●
MXS3180	ALLOY	THRU HARDENED	ALLOY	●	ALLOY	●	ALLOY	●
MXS881	CAR STL	CASE HARDENED	CAR STL	●	CAR STL	●	CAR STL	●
MXS882	CAR STL	CASE HARDENED	CAR STL	●	CAR STL	●	CAR STL	●
MXS3011	ALLOY	IND. HARDENED	ALLOY	●	ALLOY	●	ALLOY	●
MXS1031	ALLOY	IND. HARDENED	ALLOY	●	ALLOY	●	CAR STL	●
MXS1032	ALLOY	IND. HARDENED	ALLOY	●	ALLOY	●	ALLOY	●
MXS3075	ALLOY	IND. HARDENED	ALLOY	●	ALLOY	●	ALLOY	●
MXS3514	ALLOY	IND. HARDENED	ALLOY	●	ALLOY	●	ALLOY	●
MXS2124	ALLOY	THRU HARDENED	CAR STL	●	ALLOY	●	CAR STL	●
MXS7124	ALLOY	IND. HARDENED	ALLOY	●	ALLOY	●	CAR STL	●
MXS1242	ALLOY	IND. HARDENED	ALLOY	●	ALLOY	●	ALLOY	●
MXS1245	ALLOY	IND. HARDENED	ALLOY	●	ALLOY	●	ALLOY	●
MSR1353 *	ALLOY	IND. HARDENED	ALLOY	●	ALLOY	●	ALLOY	●
MXS4522	ALLOY	IND. HARDENED	ALLOY	●	ALLOY	●	ALLOY	●
MXS5031	ALLOY	IND. HARDENED	ALLOY	●	ALLOY	●	ALLOY	●
MXS5035	ALLOY	IND. HARDENED	ALLOY	●	ALLOY	●	ALLOY	●
MXS5542	ALLOY	IND. HARDENED	ALLOY	●	ALLOY	●	ALLOY	●
MXS88B	ALLOY	IND. HARDENED	ALLOY	●	ALLOY	●	ALLOY	●
MXS6042	ALLOY	IND. HARDENED	ALLOY	●	ALLOY	●	ALLOY	●
MSS6065 **	ALLOY	IND. HARDENED	ALLOY	Thru-hardened	-	-	ALLOY	●
MSR6060 *	ALLOY	IND. HARDENED	ALLOY	●	ALLOY	●	ALLOY	●
MSR7126 *	ALLOY	CASE HARDENED	ALLOY	●	ALLOY	Case-hardened	ALLOY	●
MSR6560 *	ALLOY	IND. HARDENED	ALLOY	●	ALLOY	●	ALLOY	●
MXS6565	ALLOY	IND. HARDENED	ALLOY	●	ALLOY	●	ALLOY	●
MSS2772 **	ALLOY	IND. HARDENED	ALLOY	Thru-hardened	-	-	ALLOY	●
MXS7065	ALLOY	IND. HARDENED	ALLOY	●	ALLOY	●	ALLOY	●
MSR7080 *	ALLOY	IND. HARDENED	ALLOY	●	ALLOY	●	ALLOY	●



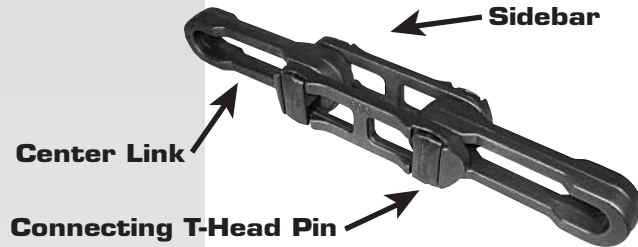
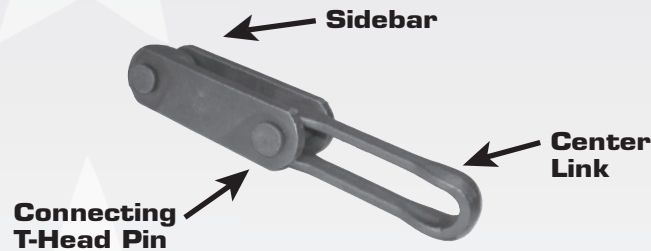
RIVETLESS DROP FORGED CHAIN BAR LOOP CHAIN

**ALLIED-LOCKE
INDUSTRIES**



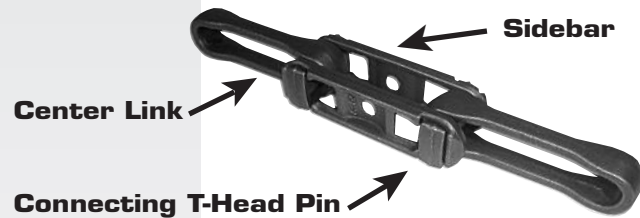
Allied-Locke Rivetless Drop Forged Chain is highly regarded as one of the strongest chains ever developed, and has found widespread application in many industries. Because materials do not tend to pack in its open structure, Rivetless Drop Forged Chain is used extensively for flight conveyors. Its design permits both horizontal and vertical operation over irregular routes, making it particularly adaptable for trolley conveyor service.

Special features of this chain include maximum strength without excessive weight, and resistance to lengthening even after extensive operation.



REGULAR TYPE

Regular Type is furnished with only the T-head pins heat treated. These pins are symmetrical and may be reversed when worn.



X-TYPE

X-Type is furnished with all components heat treated, and is designed to have increased flexibility, transverse strength, and better operating performance.

ORDERING AND APPLICATION DATA

S-TYPE

S-Type is furnished with all components heat treated.

	A-L CHAIN NO.	PITCH IN INCHES	LINKS PER 10 FEET	WEIGHT PER FOOT LBS.	AVERAGE ULTIMATE STRENGTH—LBS. Head Treated Steel*	CHAIN CONSTRUCTION
3.031" PITCH CHAIN	X348	3.031	40	2.2	24,000	Special Pin
4.031" PITCH CHAIN	X458	4.031	30	3.2	48,000	Special Pin
	468	4.031	30	7.5	70,000	Special Pin
6.031" PITCH CHAIN	X658	6.031	20	2.6	48,000	Special Pin
	X678	6.031	20	6.7	85,000	Special Pin
	698	6.031	20	11.4	130,000	Special Pin
9.031" PITCH CHAIN	998	9.031	13.3	9.0	130,000	Special Pin
	9118	9.031	13.3	16.0	220,000	Special Pin
	9148	9.031	13.3	27.0	300,000	Special Pin
3.031" PITCH CHAIN	S348	3.031	40	2.4	24,000	Riveted
4.031" PITCH CHAIN	S458	4.031	30	3.5	48,000	Riveted
4.031" PITCH CHAIN	S468	4.031	30	7.9	80,000	Riveted
9.031" PITCH CHAIN	S9118	9.031	13.3	20.4	220,000	Riveted

*Rivetless Drop Forge chain with alloy steel construction is also available on special order.



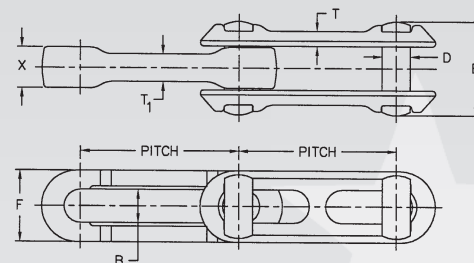


RIVETLESS DROP FORGED CHAIN BAR LOOP CHAIN

AVAILABLE IN THREE TYPES—

REGULAR TYPE

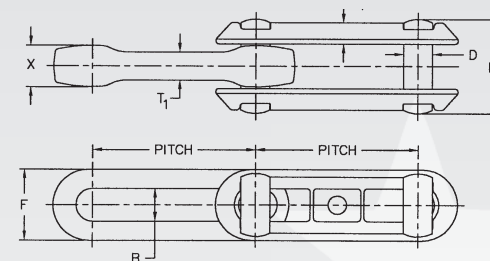
Regular Type is furnished with only the T-head pins heat treated. These pins are symmetrical and may be reversed when worn.



Regular Type

X-TYPE

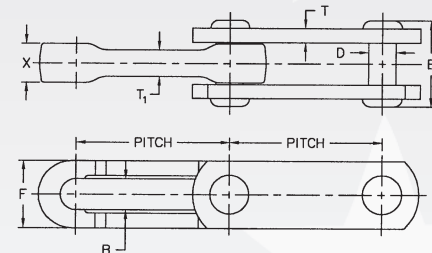
X-Type is furnished with all components heat treated, and is designed to have increased flexibility, transverse strength, and better operating performance.



X-Type

S-TYPE

Barloop chain is manufactured with a standard rivetless block link and fabricated steel sidebars. Barloop chains offer the advantage of a flat steel sidebar for welding attachments. The pins are a riveted style to keep the sidebars locked, eliminating the chance of chain coming apart when slack is present and reducing wear between the pin and sidebar.



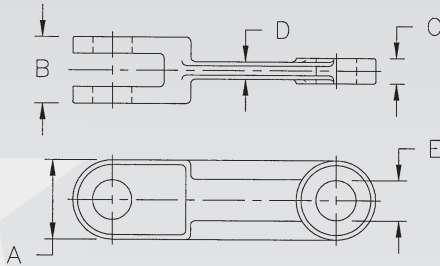
S-Type

	A-L CHAIN NO.	DIMENSIONS IN DECIMAL INCHES							
		PITCH	B	D	E	F	T	T ₁	X
3.031" PITCH CHAIN	X348	3.031	0.53	0.500	1.75	1.06	0.41	0.50	0.75
4.031" PITCH CHAIN	X458	4.031	0.69	0.625	2.19	1.44	0.48	0.66	1.02
	468	4.031	0.88	0.750	3.31	1.88	0.45	1.16	1.62
6.031" PITCH CHAIN	X658	6.031	0.69	0.620	2.19	1.41	0.33	0.66	1.02
	X678	6.031	1.00	0.880	3.03	2.00	0.72	0.84	1.31
	698	6.031	1.25	1.120	3.75	2.69	0.59	1.03	1.56
9.031" PITCH CHAIN	998	9.031	1.12	1.120	3.88	2.52	0.62	1.00	1.56
	9118	9.031	1.50	1.380	4.88	3.12	0.75	1.38	2.00
	9148	9.031	1.50	1.750	5.84	3.78	0.81	1.62	2.50
3.031" PITCH CHAIN	S348	3.031	0.53	0.500	1.75	1.06	0.41	0.50	0.75
4.031" PITCH CHAIN	S458	4.031	0.69	0.625	2.06	1.38	0.31	0.63	1.02
4.031" PITCH CHAIN	S468	4.031	0.88	0.750	2.94	1.88	0.38	1.13	1.63
6.031" PITCH CHAIN	S698	6.031	1.25	1.125	3.25	2.69	0.50	1.00	1.56
9.031" PITCH CHAIN	S9118	9.031	1.50	1.375	4.38	3.06	0.75	1.31	1.97



CASE CONVEYOR CHAIN FLIGHTS

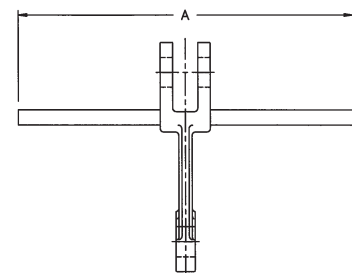
**ALLIED-LOCKE
INDUSTRIES**



CASE CONVEYOR CHAIN

CHAIN SERIES	ULTIMATE STRENGTH	WORKING LOAD	WEIGHT	A	B	C	D	E
102 HVY	38,000 Lbs 17,275 Kg	6,900 Lbs 3,135 Kg	.99 Lbs .45 Kg	1.37" 35mm	1.26" 32mm	.55" 14mm	.35" 9mm	.71" 18mm
142 STD	73,000 Lbs 33,180 Kg	13,000 Lbs 5,910 Kg	2.45 Lbs 1.11 Kg	1.97" 50mm	1.65" 42mm	.75" 19mm	.47" 12mm	.98" 25mm
142 HVY	99,000 Lbs 45,000 Kg	18,000 Lbs 8,182 Kg	3.74 Lbs 1.7 Kg	1.97" 50mm	2.44" 62mm	1.14" 29mm	.63" 16mm	.98" 25mm
216 STD	135,000 Lbs 61,200 Kg	24,300 Lbs 11,000 Kg	8.07 Lbs 3.66 Kg	2.95" 75mm	2.32" 59mm	1.02" 26mm	.75" 19mm	1.35" 35mm
260 STD	150,000 Lbs 68,180 Kg	27,270 Lbs 12,390 Kg	14.0 Lbs 6.4 Kg	2.95" 75mm	2.76" 70mm	1.18" 30mm	.79" 20mm	1.26" 32mm

CONVEYOR SIZE	A	D	WEIGHT (FLIGHTS ONLY*) BT
102 SERIES			
10" 254mm	9.88 250	1.375 35	2.22 Lbs 1 Kg
12" 305mm	11.88 300	1.375 35	2.5 Lbs 1.14 Kg
14" 356mm	13.88 352	1.375 35	2.8 Lbs 1.27 Kg
16" 406mm	15.63 397	1.375 35	3.1 Lbs 1.41 Kg
142 STD SERIES			
11" 280mm	10.94 278	2.00 50	2.36 1.07
15" 380mm	14.88 378	2.00 50	3.41 1.55
19" 480mm	18.81 478	2.00 50	4.45 2.02
25" 635mm	24.69 627	2.00 50	6.01 2.73
30" 762mm	29.81 757.2	2.00 50	7.39 3.36





Allied-Locke Combination Chain is used extensively in the cement, paper and pulp, quarrying, and mining industries for elevating and conveying a wide variety of abrasive and non-abrasive materials. It is also finding many uses in general industrial assembly conveyors. It is not recommended for drive chain.

The construction of Allied-Locke Combination Chain can be either cottered or riveted. Cottered is normally considered standard. Pins have flat areas at their ends, which lock into the appropriately punched sidebars, preventing pin rotation during chain operation. All pin holes are clean-cored for smooth bearing surfaces and are dimensioned for proper pin clearance. Industry dimensional standards are rigidly maintained and this chain may be interchangeable with links of other manufacturers.

Pitch sizes range from 1.631 to 6.050 inches; tensile strength range extends from 12,150 to 67,500 pounds. All Allied-Locke Combination block links except C55 and C55L have elliptical barrels. This adds extra metal where the sprocket to chain contact causes most chain wear.

MBP 132C has chambered barrels containing grease which lubricates pins, helps to avoid joint freezing, and prohibits entry of corrosive and abrasive material into the barrel core.

Attachments are available in many of the pitch sizes for a wide range of applications.

Combination links are symmetrical and may therefore be operated in either direction of travel.

Brutaloy and cast steel sprockets are available for each pitch size.

COUPLER LINKS FOR COMBINATION CHAIN

Coupler links are required for joining chain where no take-up is available. Each chain pitch size has a Promal cast off-set sidebar coupler link available for this purpose.

COMBINATION CHAIN MATERIALS

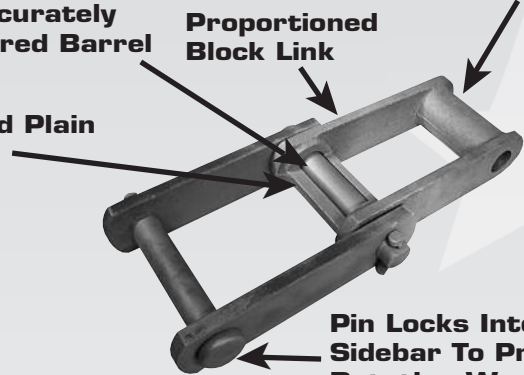
A-L CHAIN NO.	MATERIALS		
	BLOCK LINKS (Inside Links)	SIDEBARS (Outside Links)	PINS
C55 C 55L C 60 C 77 C 102B		Carbon Steel, Heat Treated	
C 1021/2 C 110 C 111 C 111C C 131	ALL NUMBERS	Carbon Steel, Heat Treated	ALL NUMBERS
C 132 MBP 132 MBP 132C PW 132 C 133	A-L PROMAL	Carbon Steel, Heat Treated	Carbon Steel, Heat Treated
C 188 BRH 188		Carbon Steel, Heat Treated	

Pin Manufactured to Exact Diameter, Fits Accurately Into Cored Barrel

Accurately Proportioned Elliptical Barrels

Proportioned Block Link

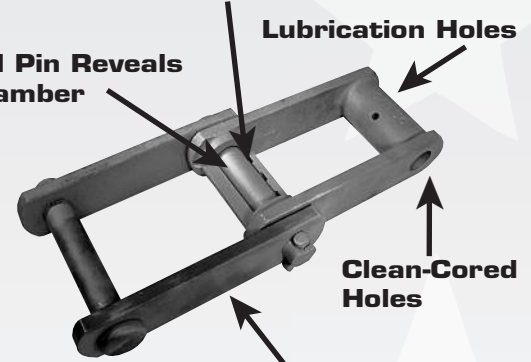
Exposed Plain Barrel



Pin Locks Into Sidebar To Prevent Rotation Wear

Exposed Chambered Barrel

Phantom Pin Reveals Grease Chamber



Steel Sidebars

WEIGHTS OF COMBINATION CHAIN PARTS

A-L CHAIN NO.	AVERAGE WEIGHT IN LBS.			
	COUPLERS	PLAIN BLOCK LINKS	STEEL PINS WITH COTTERS	STEEL RIVETS
C 55	0.3	0.3	0.1	0.1
C 77	0.4	0.4	0.1	0.1
C 102B	1.9	1.8	0.4	0.4
C 110	2.6	3.1	0.4	0.4
C 111	3.3	3.5	0.7	0.7
C 132	6.1	6.0	1.5	1.5
MBP 132	6.1	8.2	1.5	1.5
MBP 132C	6.1	8.2	1.5	1.5
PW 132	6.1	9.8	1.5	1.5
C 188	0.7	0.7	0.2	0.2
BRH 188	0.7	1.2	0.2	0.2



COMBINATION CHAIN

ALLIED-LOCKE
INDUSTRIES



	MOLINE CHAIN NO.	PITCH IN INCHES	LINKS PER 10 FEET	WEIGHT PER FOOT LBS.	AVERAGE ULTIMATE STRENGTH LBS.	RECOMMENDED MAXIMUM WORKING LOAD LBS.	CHAIN CONSTRUCTION	AVAILABLE ATTACHMENTS
1.631" PITCH CHAIN	C 55	1.631	74	2.2	12,150	1,400	Riveted or Cottered*	A22, G19, F30, K1
	C 55L	1.631	74	2.5	12,150	1,400	Riveted or Cottered*	None
2.307" PITCH CHAIN	C 60	2.307	52	3.0	25,300	2,620	Riveted or Cottered*	None
2.308" PITCH CHAIN	C 77	2.308	52	2.3	14,850	1,640	Riveted or Cottered®	F2 K1
2.609" PITCH CHAIN	C 188	2.609	46	3.6	18,900	2,350	Riveted or Cottered®	F2, K1, K2, S1
	BRH 188	2.609	46	4.8	18,900	2,350	Riveted or Cottered®	None
3.075" PITCH CHAIN	C 131	3.075	39	6.8	32,400	3,880	Riveted or Cottered®	F2, G6, K2
4.000" PITCH CHAIN	C 102B	4.000	30	6.8	32,400	5,400	Riveted or Cottered®	K2
4.040" PITCH CHAIN	C 102 1/2	4.040	30	9.5	48,600	6,530	Riveted or Cottered®	K2, S1
4.760" PITCH CHAIN	C 111	4.760	25.5	9.4	48,600	7,590	Riveted or Cottered®	K2, S1
	C 111C	4.760	25.5	9.4	48,600	7,590	Riveted or Cottered®	K2, S1
6.000" PITCH CHAIN	C 110	6.000	20	6.3	32,400	5,380	Riveted or Cottered®	K2
	C 133	6.000	20	8.8	60,000	5,900	Riveted or Cottered®	None
6.050" PITCH CHAIN	C 132	6.050	20	13.4	67,500	11,250	Riveted or Cottered®	K2, S1
	PW 132	6.050	20	16.1	67,500	11,250	Riveted or Cottered®	S1
	MBP 132	6.050	20	15.7	67,500	11,250	Riveted or Cottered®	S1
	MBP 132C	6.050	20	15.7	67,500	11,250	Riveted or Cottered®	S1

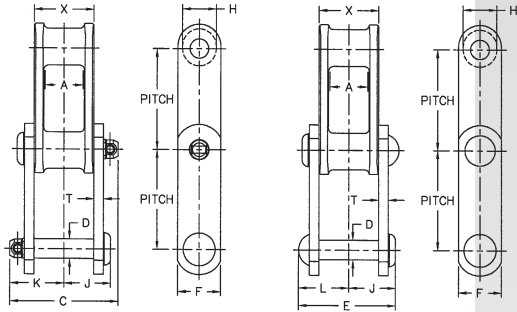
*Furnished with pin heads all on same side. ®Alternating pin heads are standard; can be supplied same side if specified.

MOLINE CHAIN NO.	PITCH	DIMENSIONS IN DECIMAL INCHES											
		MAX. ALLOW. SPRKT FACE A	OVER-ALL WIDTH COTTERED C	DIA. OF PIN D	OVER-ALL WIDTH RIVETED E	HEIGHT OF SIDE BAR F	DIA. OF BARREL H	HEAD OF PIN TO CENTER LINE J	END OF PIN TO CENTER LINE COTTERED K	END OF PIN TO CENTER LINE RIVETED L	WIDTH OF WEARING SHOE N	THICKNESS OF SIDE BAR T	OVER-ALL LENGTH OF BARREL X
1.631" PITCH CHAIN													
C 55	1.631	0.69	2.06	0.375	1.97	0.75	0.72	0.97	1.09	1.00	—	0.19	1.25
C 55L	1.631	0.69	2.06	0.375	1.97	0.75	0.72	0.97	1.09	1.00	—	0.19	1.25
2.307" PITCH CHAIN													
C 60	2.307	0.88	2.94	0.500	2.88	1.00	0.75	1.31	1.44	1.31	—	0.25	1.69
2.308" PITCH CHAIN													
C 77	2.308	0.69	2.38	0.437	2.25	0.88	0.72	0.97	1.19	1.12	—	0.19	1.25
2.609" PITCH CHAIN													
C 188	2.609	0.94	2.69	0.500	2.50	1.12	0.88	1.25	1.44	1.25	—	0.25	1.56
BRH 188	2.609	0.94	2.69	0.500	2.50	1.12	0.88	1.25	1.44	1.25	3.12	0.25	1.56
3.075" PITCH CHAIN													
C 131	3.075	1.12	3.75	0.625	3.50	1.50	1.22	1.62	1.88	1.75	—	0.38	2.06
4.000" PITCH CHAIN													
C 102B	4.000	2.00	4.56	0.625	4.38	1.50	0.97	2.06	2.28	2.19	—	0.38	2.91
4.040" PITCH CHAIN													
C 102 1/2	4.040	2.00	5.00	0.750	4.38	1.75	1.38	2.12	2.50	2.19	—	0.38	2.91
4.760" PITCH CHAIN													
C 111	4.760	2.38	5.44	0.750	5.00	1.75	1.44	2.38	2.72	2.50	—	0.38	3.38
C 111C	4.760	2.38	5.44	0.750	5.00	1.75	1.44	2.38	2.72	2.50	—	0.38	3.38
6.000" PITCH CHAIN													
C 110	6.000	1.94	4.56	0.625	4.38	1.50	1.25	2.06	2.28	2.19	—	0.38	2.88
C 133	6.000	1.25	4.31	0.875	4.00	2.00	1.75	1.81	2.16	2.00	—	0.38	2.88
6.050" PITCH CHAIN													
C 132	6.050	3.04	6.75	1.000	6.50	2.00	1.72	3.06	3.38	3.25	—	0.50	4.31
PW 132	6.050	3.04	6.75	1.000	6.50	2.00	1.72	3.06	3.38	3.25	5.88	0.50	4.31
MBP 132	6.050	3.04	6.75	1.000	6.50	2.00	1.72	3.06	3.38	3.25	5.88	0.50	4.31
MBP 132C	6.050	3.04	6.75	1.000	6.50	2.00	1.72	3.06	3.38	3.25	5.88	0.50	4.31





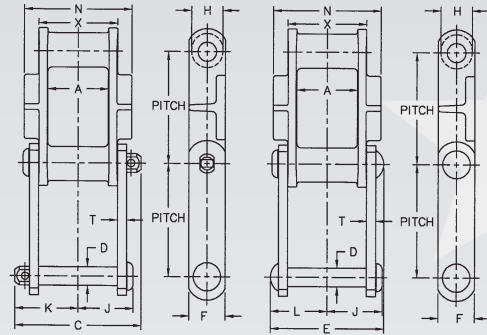
“C” Type Combination Chain



Cottered

Riveted

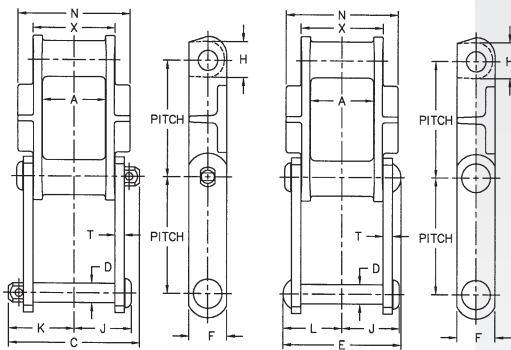
“MBP” Type Combination Chain



Cottered

Riveted

“PW” Type Combination Chain

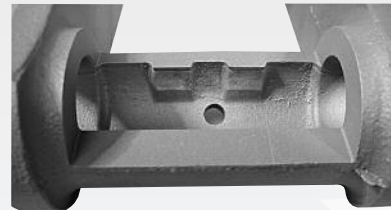


Cottered

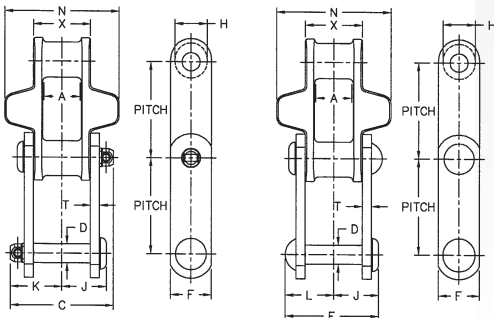
Riveted

Chambered Barrel

Grease in chambers keeps pin lubricated to avoid freezing. Prevents entry of corrosive materials which cause pin and barrel wear.



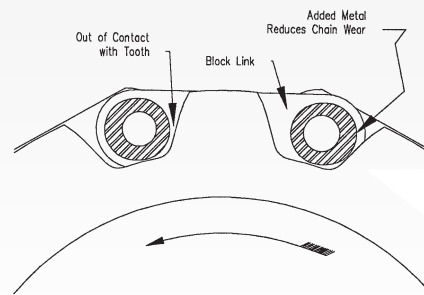
“BRH” Type Combination Chain



Cottered

Riveted

Elliptical Barrel

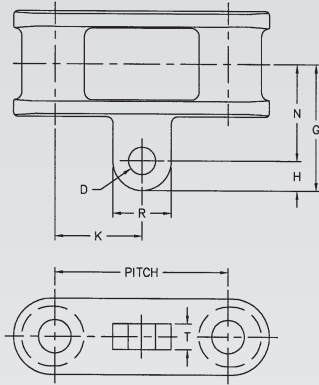


COMBINATION CHAIN ATTACHMENTS

**ALLIED-LOCKE
INDUSTRIES**



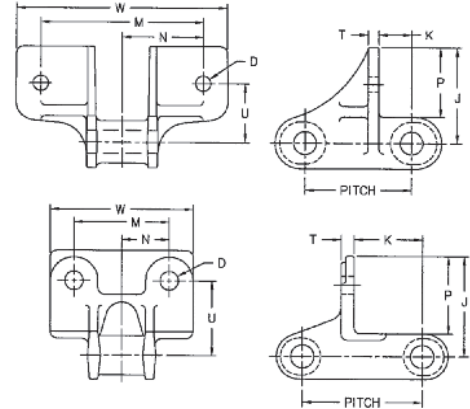
A22 ATTACHMENT



F2 ATTACHMENT

C 131-F2

C 77-F2
C 188-F2



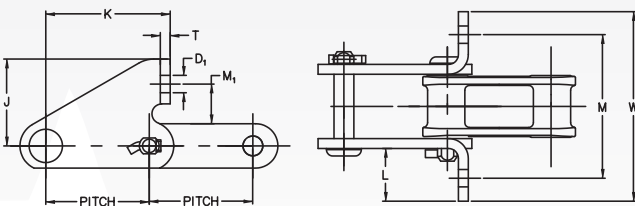
MOLINE ATTACHMENT NO.	DIMENSIONS IN DECIMAL INCHES									AVERAGE WEIGHT PER FOOT LBS.*
	PITCH	D		G	H	K	N	R	T	
		BOLT DIAMETER	HOLE DIAMETER							
C 55-A22	1.631	0.31	0.34	1.94	0.44	0.81	1.50	0.75	0.25	2.9
C 188-A22	2.609	0.38	0.41	1.88	0.44	1.31	1.44	0.88	0.38	3.8

*Attachment every 2nd pitch.

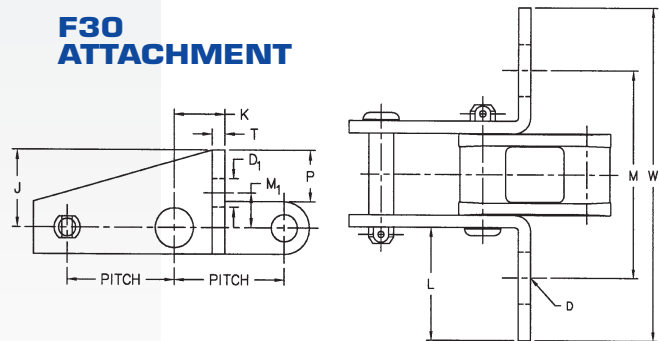
MOLINE ATTACHMENT NO.	DIMENSIONS IN DECIMAL INCHES											AVERAGE WEIGHT PER FOOT LBS.*
	PITCH	D		J	K	M	N	P	T	U	W	
		BOLT DIAMETER	HOLE DIAMETER									
C 77-F2	2.308	0.31	0.34	1.94	1.31	1.75	0.88	1.50	0.25	1.38	2.56	3.0
C 131-F2	3.075	0.38	0.44	2.75	0.94	4.69	2.34	2.00	0.31	1.69	6.12	9.0
C 188-F2	2.609	0.31	0.34	2.19	1.25	2.00	1.00	1.62	0.31	1.50	2.75	4.5

*Attachment every 2nd pitch.

F16 & F20 ATTACHMENT



F30 ATTACHMENT

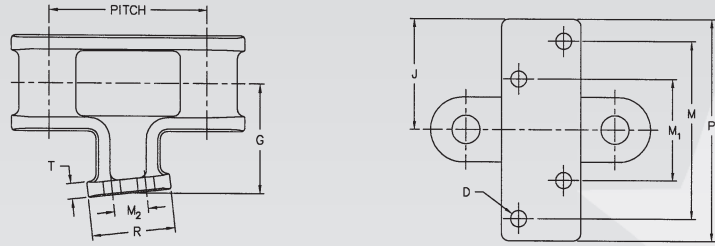


Chain Number	DIMENSIONS IN INCHES											AVG. WEIGHT PER FT. LBS
	PITCH	D SLOT LENGTH	D ₁ HOLE SIZE	J	K	L	M	M ₁	P	T	W	
C55 F16	1.631	-	.28	1.25	.51	.62	2.19	.94	.88	.19	2.93	2.2
C55 F30	1.631	.78	.41	1.25	.31	.34	-	-	2.75	1.88	2.50	3.3
C188 F20	2.609	-	.44	2.19	.56	1.53	3.62	1.56	1.63	.25	4.78	4.6





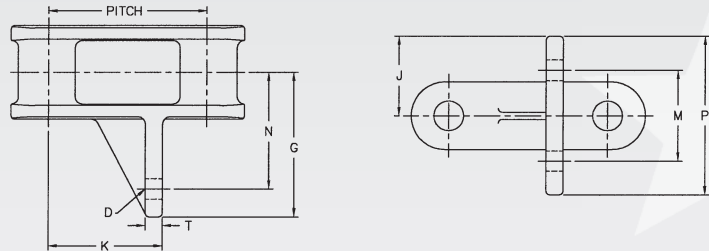
G6 ATTACHMENT



MOLINE ATTACHMENT NO.	DIMENSIONS IN DECIMAL INCHES											AVERAGE WEIGHT PER FOOT LBS.*
	PITCH	D		G	J	M	M ₁	M ₂	P	R	T	
		BOLT DIAMETER	HOLE DIAMETER									
C 131-G6	3.075	0.38	0.41	2.00	2.03	3.06	1.75	0.56	4.06	2.00	0.28	7.7

*Attachment every 2nd pitch.

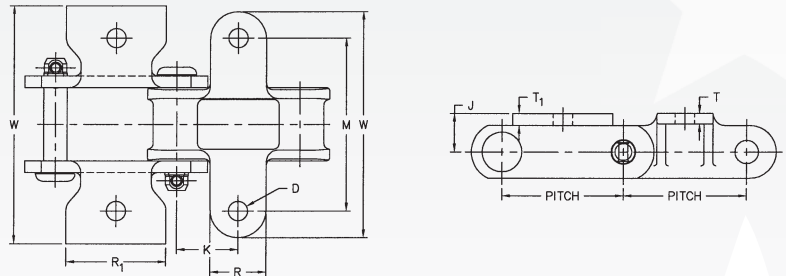
G19 ATTACHMENT



MOLINE ATTACHMENT NO.	DIMENSIONS IN DECIMAL INCHES											AVERAGE WEIGHT PER FOOT LBS.*
	PITCH	D		G	J	K	L	M	N	P	T	
		BOLT DIAMETER	HOLE DIAMETER									
C 55-G19	1.631	0.31	0.34	2.25	0.88	1.03	1.66	0.88	1.69	1.75	0.25	2.7
C 188-G19	2.609	0.31	0.34	2.44	1.31	1.88	1.66	1.50	1.94	2.62	0.28	4.2

*Attachment every 2nd pitch.

K1 ATTACHMENT



MOLINE ATTACHMENT NO.	DIMENSIONS IN DECIMAL INCHES											AVERAGE WEIGHT PER FOOT LBS.*	
	PITCH	D		J	K	M	R	R ₁	T	T ₁	W		W ₁
		BOLT DIAMETER	HOLE DIAMETER										
C 55-K1	1.631	0.25	0.28	0.50	0.81	2.03	0.81	—	0.16	—	2.91	—	2.4*
C 77-K1	2.308	0.38	0.41	0.66	1.16	3.00	1.19	1.19	0.22	0.19	4.12	4.19	2.4*
C 188-K1	2.609	0.38	0.41	0.81	1.31	3.75	1.19	2.12	0.22	0.25	4.81	5.12	4.8

*Attachment every 2nd pitch.

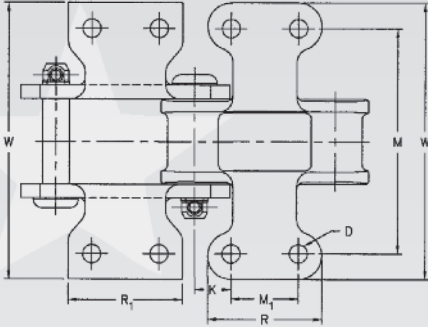


COMBINATION CHAIN ATTACHMENTS

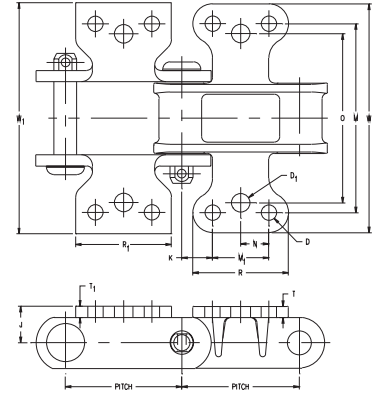
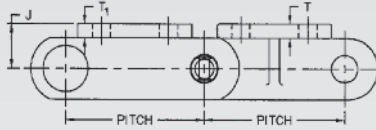
**ALLIED-LOCKE
INDUSTRIES**



K2 ATTACHMENT



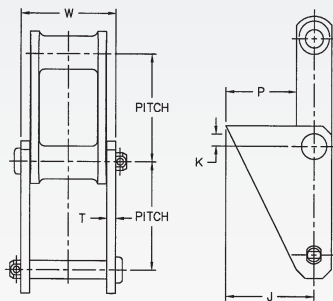
K1/K2 ATTACHMENT



MOLINE ATTACHMENT NO.	DIMENSIONS IN DECIMAL INCHES													AVERAGE WEIGHT PER FOOT LBS.
	PITCH	D		J	K	M	M ₁	R	R ₁	T	T ₁	W	W ₁	
		BOLT DIAMETER	HOLE DIAMETER											
C 102B-K2	4.000	0.38	0.41	1.00	2.00	5.31	1.75	2.81	2.62	0.22	0.38	6.31	6.75	8.0
C 102 1/2-K2	4.040	0.38	0.44	1.00	2.02	5.31	1.75	2.81	2.88	0.31	0.38	6.50	6.50	11.4
C 110-K2	6.000	0.38	0.41	1.00	3.00	5.31	1.75	2.88	2.88	0.31	0.38	6.69	6.75	7.9
C 111-K2	4.760	0.50	0.56	1.12	2.38	6.25	2.31	3.50	3.56	0.31	0.38	7.50	7.69	12.3
C 111C-K2	4.760	0.50	0.56	1.12	2.38	6.25	2.31	3.50	3.56	0.31	0.38	7.50	7.69	12.3
C 131-K2	3.075	0.50	0.56	1.00	1.53	4.12	1.50	2.62	2.50	0.31	0.38	5.25	5.38	8.1
C 132-K2	6.050	0.50	0.56	1.25	3.03	7.50	2.75	4.00	4.00	0.50	0.50	9.00	9.62	16.8

MOLINE ATTACHMENT NO.	DIMENSIONS IN DECIMAL INCHES																AVERAGE WEIGHT PER FOOT LBS.	
	PITCH	D		D ₁		J	K	M	M ₁	N	O	R	R ₁	T	T ₁	W		W ₁
		BOLT DIA.	HOLE DIA.	BOLT DIA.	HOLE DIA.													
C188 K1/K2	2.609	0.31	0.34	0.38	0.41	.81	1.31	4.19	1.25	.62	3.75	2.12	2.12	0.25	0.25	5.06	5.12	5.2

S1 ATTACHMENT



MOLINE ATTACHMENT NO.	PITCH	J	K	P	T	W	AVERAGE WEIGHT PER FOOT LBS.*
C 102 1/2-S1	4.040	3.75	1.00	2.88	0.38	3.72	12.2
C 111-S1	4.760	4.38	1.00	3.50	0.38	4.19	12.5
C 111C-S1	4.760	4.38	1.00	3.50	0.38	4.19	12.5
C 132-S1	6.050	5.00	1.28	4.00	0.50	5.44	18.8
PW 132-S1	6.050	5.00	1.28	4.00	0.50	5.44	21.5
MBP 132-S1	6.050	5.00	1.28	4.00	0.50	5.44	21.1
MBP 132C-S1	6.050	5.00	1.28	4.00	0.50	5.44	21.1
C 188-S1	2.609	2.62	0.62	2.19	0.25	2.12	4.7

*Attachment every 2nd pitch.





“H” CLASS MILL CHAIN

Allied-Locke “H” Class Mill Chain is an extremely strong, serviceable chain originally designed for heavy drives and transfer conveyor purposes in saw mills and the paper and pulp industry. “H” Class Chain has proven itself for innumerable other industrial applications as well, especially for moderate duty in abrasive atmospheres where heavy, rugged chain is required.

The sidebars of the “H” Class links are reinforced with wearing shoes which strengthen and stiffen the links when it is operated in troughs or over floors and runways.

Pin holes are precision cored to assure accurate pitch sizes, which range from 2.308 to 4.000 inches. “H” Class Chain is available in both riveted and cottered construction. T-head pins engage two lugs cast on the links’ sidebars. This configuration prohibits pin rotation during chain operation, eliminating abrasive wear and pitch elongation.

Allied-Locke “H” Class Chain conforms to manufacturer’s standards and is completely interchangeable with chains of other manufacturers. “H” Class Chain is available in Allied-Locke Promal with tensile ranges of 9,450 to 40,500 pounds.

“H” Class Chain may operate in two directions. As a drive chain, it travels in the direction of the closed barrel; for elevator or conveyor applications, it should travel toward the open ends of the links.

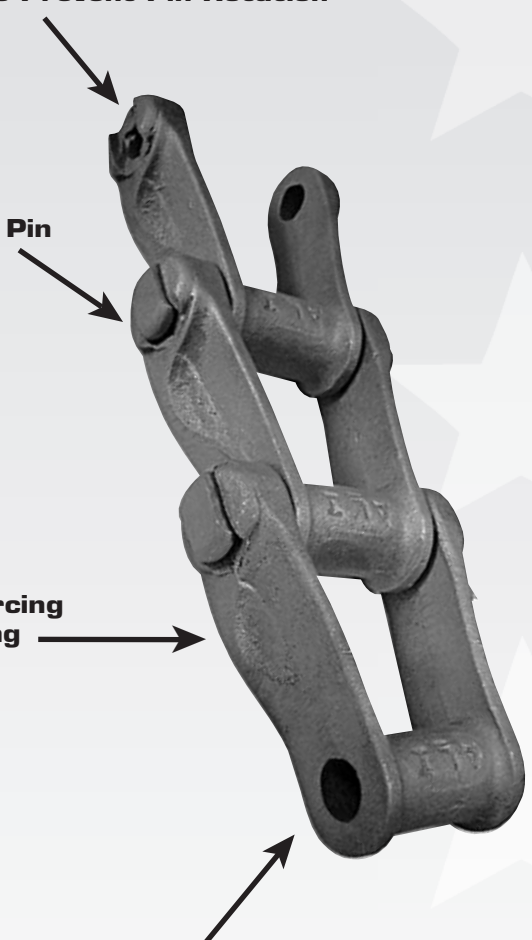
Brutaloy or cast steel sprockets are available to accommodate every “H” Class pitch size. A wide assortment of attachments is also available for varied chain applications.

Lugs To Prevent Pin Rotation

T-Head Pin

Reinforcing Wearing Shoes

Accurately Cored Pin Holes



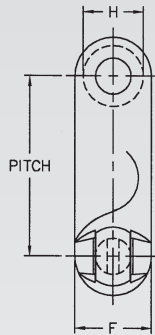
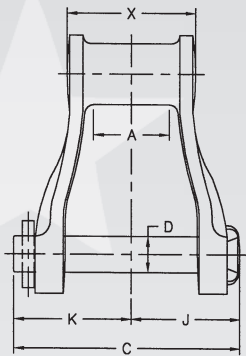
“H” CLASS MILL CHAIN MATERIALS

A-L CHAIN NO.	LINKS	PINS
H 60 H 74 H 78 H 79 H 82 H 87 H 124	ALL NUMBERS	ALL NUMBERS
	A-L Promal	Carbon Steel, Heat-Treated

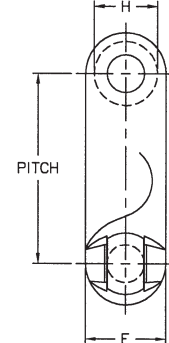
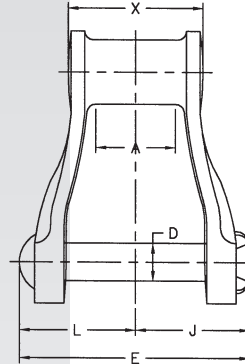


"H" CLASS MILL CHAIN

**ALLIED-LOCKE
INDUSTRIES**



Cottered



Riveted

Available in riveted and cottered construction
Riveted furnished unless otherwise specified

ORDERING AND APPLICATION DATA

MOLINE CHAIN NO.	PITCH IN INCHES	LINKS PER 10 FEET	WEIGHT PER FOOT LBS.	AVERAGE ULTIMATE STRENGTH LBS.	RECOMMENDED MAXIMUM WORKING LOAD LBS.	CHAIN CONSTRUCTION	AVAILABLE ATTACHMENTS
H 60	2.308	52	2.1	9,450	1,560	Riveted or Cottered	H2, K1
H 74	2.609	46	3.0	13,500	1,850	Riveted or Cottered	F4
H 78	2.609	46	4.2	22,200	2,810	Riveted or Cottered	A1, F4, F8, G19, H1, H2, K1, K2
H 79	2.609	46	4.8	24,300	2,810	Riveted or Cottered	None
H 82	3.075	39	5.5	27,000	3,580	Riveted or Cottered	K2
H 87	4.000	30	6.5	33,750	4,450	Riveted or Cottered	None
H 124	4.000	30	8.8	40,500	6,180	Riveted or Cottered	K2

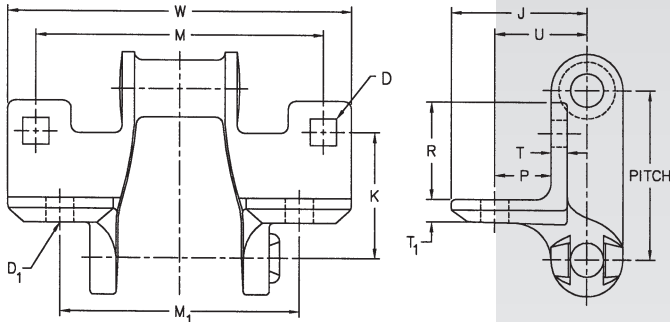
MOLINE CHAIN NO.	DIMENSIONS IN DECIMAL INCHES										
	PITCH	MAXIMUM ALLOWABLE SPROCKET FACE A	OVER-ALL WIDTH—COTTERED C	DIAMETER OF PIN D	OVER-ALL WIDTH—RIVETED E	HEIGHT OF SIDEBARS F	DIAMETER OF BARREL H	HEAD OF PIN TO CENTER LINE J	END OF PIN TO CENTER LINE—COTTERED K	END OF PIN TO CENTER LINE—RIVETED L	BEARING LENGTH X
H 60	2.308	0.75	2.62	0.312	2.62	0.75	0.75	1.25	1.38	1.38	1.50
H 74	2.609	1.00	3.12	0.375	2.88	1.00	0.88	1.50	1.62	1.62	1.66
H 78	2.609	1.12	3.31	0.500	3.19	1.12	0.88	1.56	1.62	1.62	1.88
H 79	2.609	1.12	3.31	0.500	3.19	1.12	0.88	1.56	1.62	1.62	1.88
H 82	3.075	1.25	3.88	0.562	3.88	1.25	1.22	1.88	2.00	2.00	2.12
H 87	4.000	1.50	4.38	0.625	4.19	1.38	1.38	2.06	2.12	2.12	2.38
H 124	4.000	1.62	4.88	0.750	4.75	1.56	1.44	2.25	2.50	2.50	2.75



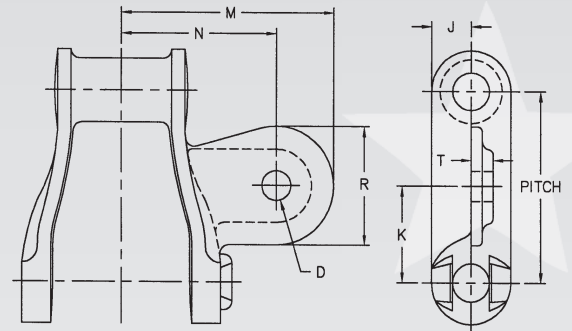


“H” CLASS MILL CHAIN ATTACHMENTS

F4 ATTACHMENT



A1 ATTACHMENT

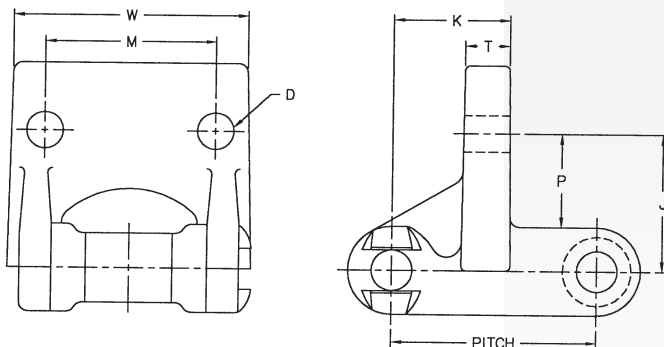


NOTE: “R” and “L” suffixes in Attachment Letters designate right and left hand attachments.

MOLINE ATTACHMENT NO.	DIMENSIONS IN DECIMAL INCHES															AVERAGE WEIGHT PER FOOT LBS.
	PITCH	D		D ₁		J	K	M	M ₁	P	R	T	T ₁	U	W	
		BOLT DIA.	HOLE DIA.	BOLT DIA.	SQUARE HOLE											
H 74-F4	2.609	0.31	0.34	0.38	0.41	2.12	1.94	4.12	3.25	0.88	1.12	0.25	0.38	1.38	4.88	6.0
H 78-F4	2.609	0.38	0.41	0.38	0.41	2.12	1.94	4.50	3.75	0.88	1.31	0.25	0.38	1.44	5.38	8.1

MOLINE ATTACHMENT NO.	DIMENSIONS IN DECIMAL INCHES										AVERAGE WEIGHT PER FOOT LBS.
	PITCH	D		J	K	M	N	R	T		
		BOLT DIAMETER	HOLE DIAMETER								
H 78-A1 R	2.609	0.38	0.41	0.56	1.31	3.00	2.19	1.62	0.31	4.8	
H 78-A1 L	2.609	0.38	0.41	0.56	1.31	3.00	2.19	1.62	0.31	4.8	

F8 ATTACHMENT



MOLINE ATTACHMENT NO.	DIMENSIONS IN DECIMAL INCHES									AVERAGE WEIGHT PER FOOT LBS.
	PITCH	D		J	K	M	P	T	W	
		BOLT DIAMETER	HOLE DIAMETER							
H 78-F8	2.609	0.44	0.47	1.75	1.50	2.19	1.19	0.62	3.00	10.0

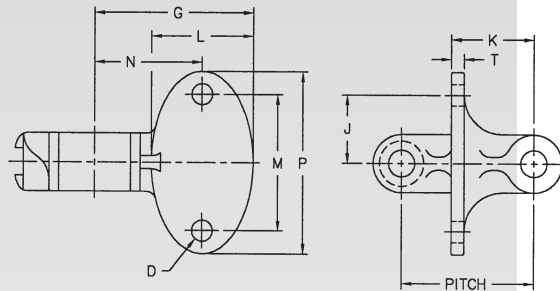


"H" CLASS MILL CHAIN ATTACHMENTS

**ALLIED-LOCKE
INDUSTRIES**

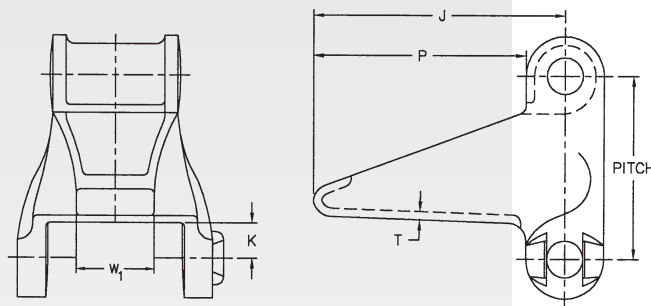


G19 ATTACHMENT



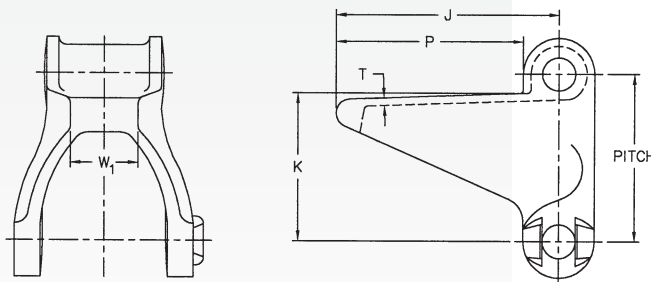
MOLINE ATTACHMENT NO.	DIMENSIONS IN DECIMAL INCHES											AVERAGE WEIGHT PER FOOT LBS.
	PITCH	D		G	J	K	L	M	N	P	T	
		BOLT DIAMETER	HOLE DIAMETER									
H 78-G19	2.609	0.38	0.41	2.75	1.75	1.62	1.25	2.62	2.19	3.50	0.25	5.9

H1 ATTACHMENT



MOLINE ATTACHMENT NO.	DIMENSIONS IN DECIMAL INCHES						AVERAGE WEIGHT PER FOOT LBS.
	PITCH	J	K	P	T	W ₁	
H 78-H1	2.609	3.62	0.50	3.06	0.12	1.12	6.8

H2 ATTACHMENT

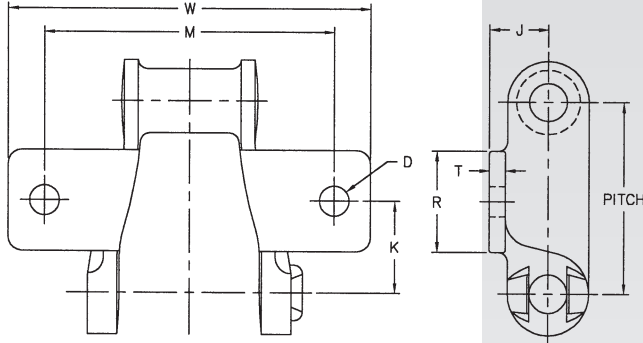


MOLINE ATTACHMENT NO.	DIMENSIONS IN DECIMAL INCHES						AVERAGE WEIGHT PER FOOT LBS.
	PITCH	J	K	P	T	W ₁	
H 60-H2	2.308	2.44	2.12	2.06	0.09	1.00	3.4
H 78-H2	2.609	3.50	2.31	2.94	0.12	1.06	6.5



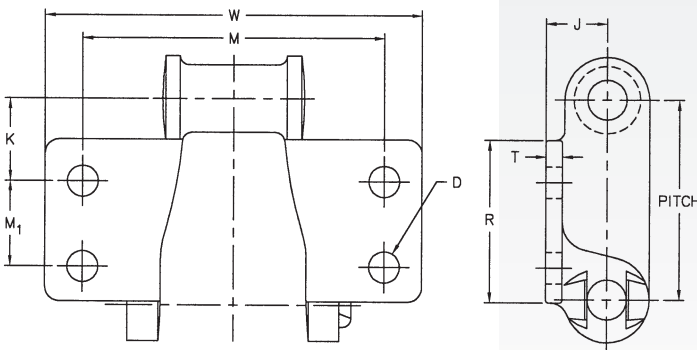


K1 ATTACHMENT



MOLINE ATTACHMENT NO.	DIMENSIONS IN DECIMAL INCHES									AVERAGE WEIGHT PER FOOT LBS.
	PITCH	D		J	K	M	R	T	W	
		BOLT DIAMETER	HOLE DIAMETER							
H 60-K1	2.308	0.31	0.34	0.75	1.06	3.00	1.12	0.19	4.00	2.8
H 78-K1	2.609	0.38	0.41	0.81	1.25	4.00	1.38	0.22	5.00	5.6

K2 ATTACHMENT

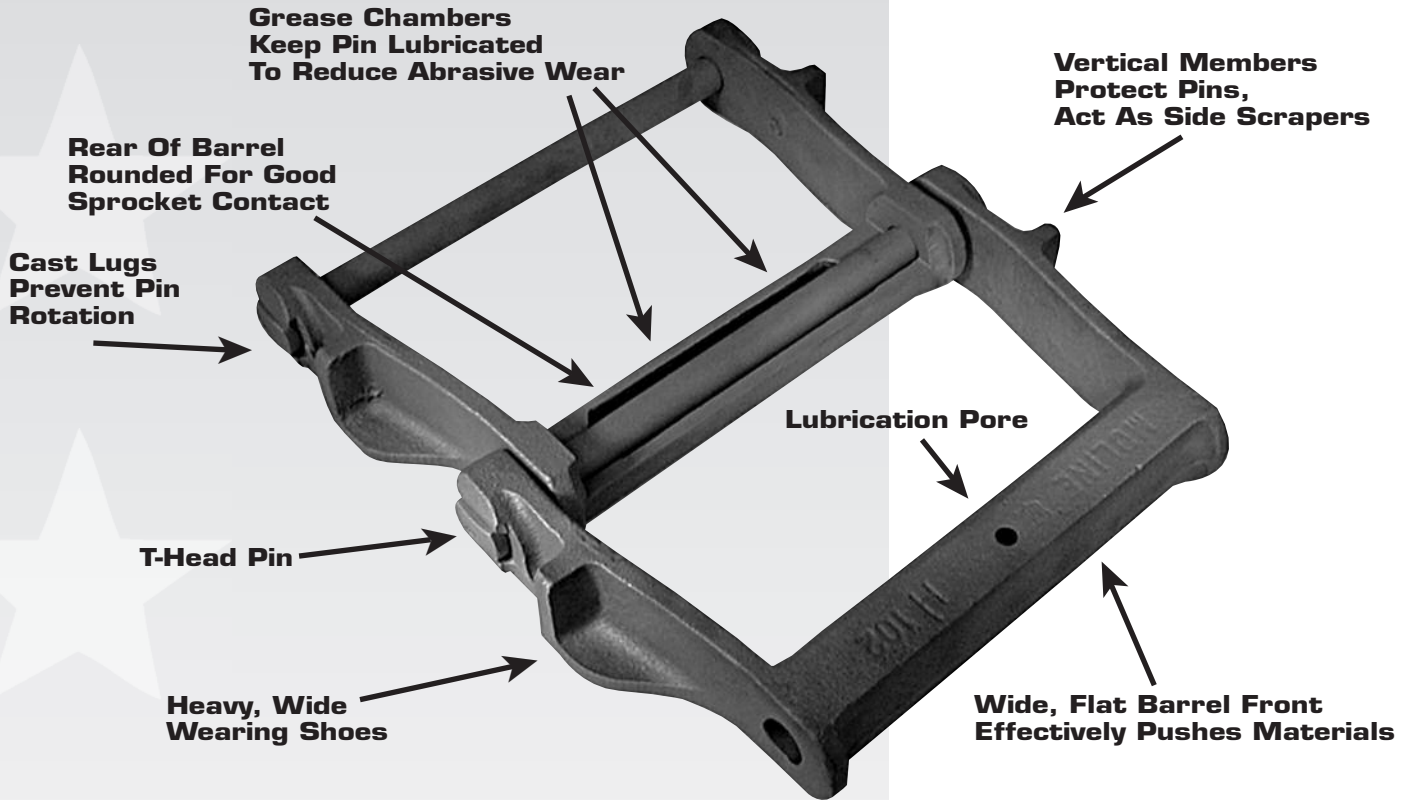


MOLINE ATTACHMENT NO.	DIMENSIONS IN DECIMAL INCHES										AVERAGE WEIGHT PER FOOT LBS.
	PITCH	D		J	K	M	M ₁	R	T	W	
		BOLT DIAMETER	HOLE DIAMETER								
H 78-K2	2.609	0.38	0.41	0.81	1.08	4.00	1.12	2.12	0.25	5.00	6.0
H 82-K2	3.075	0.38	0.41	0.88	1.00	4.25	1.31	2.19	0.31	5.50	7.6
H 124-K2	4.000	0.38	0.41	1.19	1.19	5.25	1.94	2.88	0.31	6.38	11.3



"H" CLASS REFUSE DRAG CHAIN

ALLIED-LOCKE
INDUSTRIES



Allied-Locke Refuse Drag Chain is used for conveying sawdust, wood chips, pulp, garbage, tankage, ashes, and other abrasive waste materials through either wooden or steel troughs. Because of its large, wide opening area, Allied-Locke Refuse Drag Chain provides sizeable carrying capacity when operated at moderate speeds.

The front face of each barrel is flat, providing a broad area to push material along the trough and to keep the chain from riding over the top of the material. The rounded inner side of the barrel is carefully shaped to make excellent sprocket contact. Sidebars are reinforced with wearing shoes which provide both additional wearing surface and stiffening for the link. A vertical member on each sidebar assures added link rigidity and protects the pin from damage. Allied-Locke Refuse Drag Chain is available in Allied-Locke Promal with a tensile strength range of 36,400 to 52,000 pounds. This rugged working chain is available in a pitch range of 5.000 to 8.000 inches. Each link is produced in accordance with manufacturer's standards and may be interchanged with links made by other chain manufacturers. Allied-Locke Refuse Drag Chain is available in riveted construction only. Grease chambers, cored into each link's barrel, hold grease which lubricates pins.

Wide faced sprockets, either of cast steel, iron or fabricated steel, are recommended for Refuse Drag Chain operation. Links should always be run in the direction of the closed barrel.

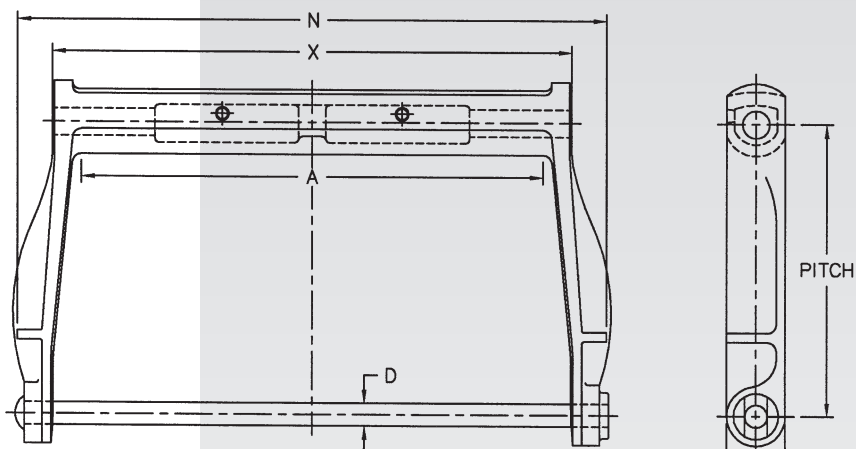
"H" CLASS REFUSE DRAG CHAIN MATERIALS

MOLINE CHAIN NO.	CAST LINKS	PINS
H 102 H 104 H 110 H 112 H 116 H 120 H 480	ALL NUMBERS Moline Promal	ALL NUMBERS Carbon Steel, Heat-Treated





"H" CLASS REFUSE DRAG CHAIN



Available in riveted construction only

ORDERING AND APPLICATION DATA

MOLINE CHAIN NO.	PITCH IN INCHES	LINKS PER 10 FEET	WEIGHT PER FOOT LBS.	AVERAGE ULTIMATE STRENGTH LBS.	RECOMMENDED MAXIMUM WORKING LOAD LBS.	CHAIN CONSTRUCTION
H 102	5.000	24	10.7	36,400	6,100	Riveted Only
H 104	6.000	20	8.0	36,400	6,100	Riveted Only
H 110	6.000	20	12.9	36,400	6,100	Riveted Only
H 112	8.000	15	10.8	36,400	6,100	Riveted Only
H 116	8.000	15	14.6	36,400	6,100	Riveted Only
H 120	6.000	20	18.5	49,400	8,200	Riveted Only
H 480	8.000	15	18.1	52,000	8,650	Riveted Only

MOLINE CHAIN NO.	DIMENSIONS IN DECIMAL INCHES					
	PITCH IN INCHES	MAXIMUM ALLOWABLE SPROCKET FACE	DIAMETER OF PIN	HEIGHT OF SIDEBAR	OVER-ALL WIDTH	OVER-ALL LENGTH OF BARREL
		A	D	F	N	X
H 102	5.000	6.38	0.625	1.50	9.75	7.75
H 104	6.000	4.12	0.625	1.50	7.50	5.31
H 110	6.000	9.00	0.625	1.50	12.50	10.62
H 112	8.000	9.00	0.625	1.50	12.50	10.62
H 116	8.000	13.00	0.625	1.62	16.38	14.44
H 120	6.000	8.75	0.750	2.00	12.88	10.19
H 480	8.000	11.12	0.750	2.00	16.00	12.69



TRANSFER CHAIN

ALLIED-LOCKE
INDUSTRIES



ALLIED-LOCKE TRANSFER CHAIN

is available in two types: “H” Class Transfer Chain and Combination Transfer Chain. “H” Class Transfer Chain includes those numbered H 78A, H 78B, H 130, H 131, and H 138. All “H” Class Transfer Chain is available only in riveted construction. “H” Class Transfer Chain numbered H 78A, H 130, and H 131 is made with peaked roofs. Chain numbered H 138 and H 78B has flat roofs.

Combination Transfer Chain includes those numbered C55A, C55B, and C55C. It is available only in riveted construction with peaked roofs.

Both types of Allied-Locke Transfer Chain, referred to at times as “roof top” and “camelback” chain, are designed to carry heavily concentrated loads such as lumber, boxes, barrels, and crates. They are usually intended for operation in troughs in two or more parallel strands, with only the tops of the links protruding.

All Allied-Locke Transfer Chain is available in Allied-Locke Promal. The tensile strengths of Allied-Locke Transfer Chain range from 11,700 to 29,900 pounds.

Rivet pins furnished with Allied-Locke “H” Class Transfer Chain are T-head pins which engage two head holders, cast on the side bars of each link, to prevent pin rotation and minimize wear and elongation of pitch.

Allied-Locke Transfer Chain is available in a pitch range of 1.631 to 4.000 inches. Every Allied-Locke Transfer Chain is manufactured according to manufacturer’s standards and may be interchanged with chain of other manufacturers, where available.

Cast Iron and Fabricated Steel sprockets are available for every pitch size.

“H” CLASS TRANSFER CHAIN



H78A



H78B

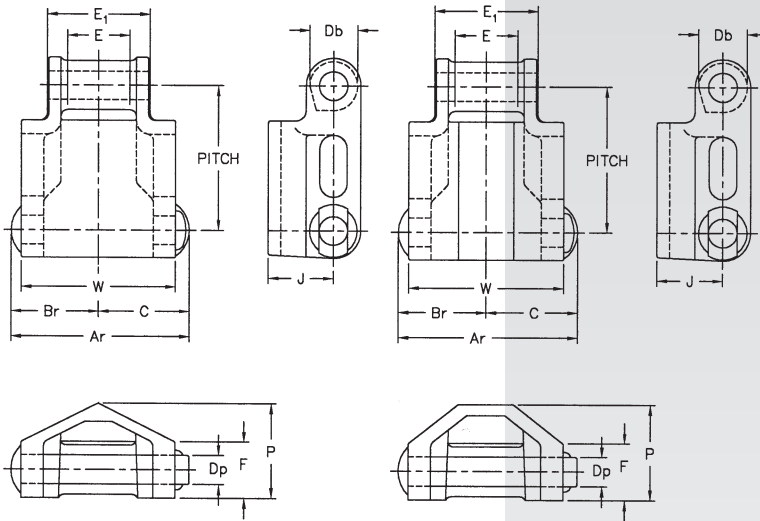


H138



H130





**H78A
H130
H131**

Available in riveted construction only

**H78B
H138**

"H" CLASS TRANSFER CHAIN MATERIALS

MOLINE CHAIN NO.	CAST LINKS	PINS
H 78 A H 78 B H 130 H 131 H 138	ALL NUMBERS Moline Promal	ALL NUMBERS Carbon Steel, Heat-Treated

ORDERING AND APPLICATION DATA

MOLINE CHAIN NO.	PITCH IN INCHES	STYLE OF TOP	LINKS PER 10 FEET	WEIGHT PER FOOT LBS.	AVERAGE ULTIMATE STRENGTH LOAD LBS.	RECOMMENDED MAXIMUM WORKING LOAD LBS.	CHAIN CONSTRUCTION
H 78A	2.609	A	46	5.6	20,800	2,820	Riveted Only
H 78B	2.609	B	46	6.1	20,800	2,820	Riveted Only
H 130	4.000	A	30	5.2	18,200	2,440	Riveted Only
H 131	4.000	A	30	8.4	29,900	4,700	Riveted Only
H 138	4.000	B	30	5.8	19,500	2,440	Riveted Only

CHAIN NO.	STYLE OF TOP	DIMENSIONS IN DECIMAL INCHES											
		PITCH	OVER-ALL WIDTH RIVETED A_r	END OF PIN TO CENTER LINE RIVETED B_r	HEAD OF PIN TO CENTER LINE C	DIA. OF BARREL D_b	DIA. OF PIN D_p	MAX. ALLOW. SPROCKET FACE E	OVERALL LENGTH OF BARREL E_1	HEIGHT OF SIDE BAR F	CENTER OF PIN TO TOP J	OVER-ALL HEIGHT P	WIDTH OF TOP W
H 78A	A	2.609	3.25	1.62	1.56	0.88	0.500	1.12	1.88	1.00	1.12	1.69	2.81
H 78B	B	2.609	3.25	1.62	1.56	0.88	0.500	1.12	1.88	1.00	1.12	1.69	2.81
H 130	A	4.000	3.25	1.62	1.62	1.00	0.500	1.00	1.62	1.06	1.16	1.69	2.81
H 131	A	4.000	4.00	2.06	1.94	1.25	0.625	1.62	2.50	1.56	1.47	2.25	3.44
H 138	B	4.000	3.25	1.62	1.62	1.00	0.500	1.00	1.62	1.06	1.16	1.69	2.81



COMBINATION TRANSFER CHAIN

**ALLIED-LOCKE
INDUSTRIES**

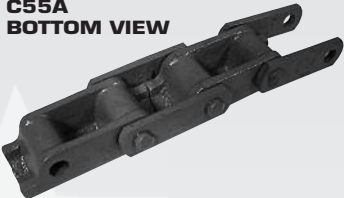


ORDERING AND APPLICATION DATA

**C55A
TOP VIEW**



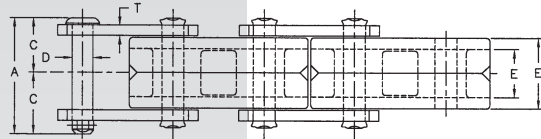
**C55A
BOTTOM VIEW**



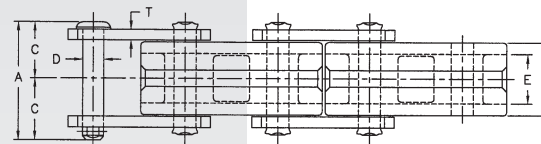
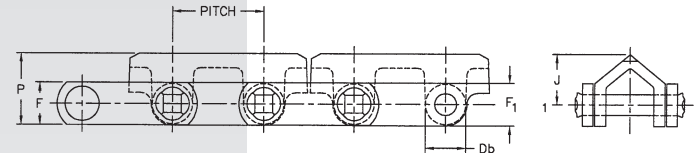
C55B



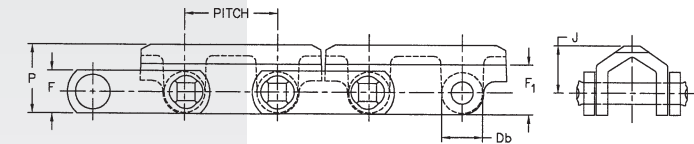
C55D



C55A



**C55B
C55D**



Available in riveted construction only

COMBINATION TRANSFER CHAIN MATERIALS

MOLINE CHAIN NO.	BLOCK LINKS	PINS	SIDEBARS
C 55 A	ALL NUMBERS	ALL NUMBERS	Carbon Steel
C 55 B	Allied-Locke Promal	Carbon Steel, Heat-Treated	Carbon Steel
C 55 D			

DIMENSIONS IN DECIMAL INCHES

MOLINE CHAIN NO.	STYLE OF TOP	PITCH IN INCHES	LINKS PER 10 FEET	WEIGHT PER FOOT LBS.	AVERAGE ULTIMATE STRENGTH LBS.	RECOMMENDED MAXIMUM WORKING LOAD LBS.	CHAIN CONSTRUCTION
C 55 A	A	1.631	74	3.2	11,700	1,400	Riveted Only
C 55 B	B	1.631	74	3.2	11,700	1,400	Riveted Only
C 55 D	D	1.631	74	3.2	11,700	1,400	Riveted Only

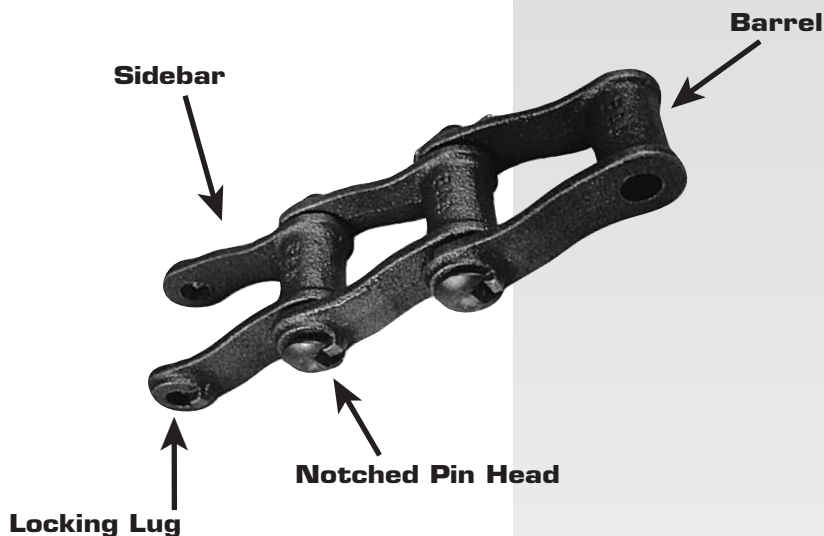
DIMENSIONS IN DECIMAL INCHES

MOLINE CHAIN NO.	STYLE OF TOP	PITCH	DIMENSIONS IN DECIMAL INCHES										
			OVER-ALL WIDTH COTTERED	END OF PIN TO CENTER LINE RIVETED	HEAD OF PIN TO CENTER LINE	DIA. OF BARREL	DIA. OF PIN	MAX. ALLOW. SPRKT FACE	OVER-ALL LENGTH OF BARREL	HEIGHT OF SIDE BAR	CENTER OF PIN TO TOP	OVER-ALL HEIGHT	WIDTH OF TOP
			A	C	Db	D	E	E1	F	F1	J	P	T
C 55 A	A	1.631	2.00	1.00	0.72	0.375	0.69	1.25	0.75	0.75	0.88	1.25	0.19
C 55 B	B	1.631	2.00	1.00	0.72	0.375	0.69	1.25	0.75	0.75	0.88	1.25	0.19
C 55 D	D	1.631	2.00	1.00	0.72	0.375	0.69	1.25	0.88	0.88	0.88	1.25	0.19





400 CLASS PINTLE CHAIN



Allied-Locke 400 Class Pintle Chain is a light-weight, moderately priced chain capable of handling average loads at slow or intermediate speeds. It is proportionately cast for balance, strength and long, efficient service, and is available in riveted or cottered construction. The head of each pin is notched to fit the sidebar locking lug which keeps the pin from rotating when the chain is in use. Closed bearing construction makes 400 Class Pintle Chain useful in conveying moderately gritty and abrasive materials.

Manufactured in Allied-Locke Promal, with a tensile strength range from 7,800 to 28,600 pounds, Allied-Locke 400 Class Pintle Chain is carefully cored for pitch accuracy with smooth bearing surfaces that reduce "break-in" wear causing pitch elongation.

400 Class Pintle Chain is available in a pitch range of 1.375 to 3.075 inches with a complete assortment of cast iron or fabricated steel sprockets.

A large assortment of attachments are available to handle a wide variety of applications. Styles A and G attachments are offered in right and left hand links.

As a drive chain, 400 Class Pintle is designed to travel in the direction of the barrel end of the links; as an elevating or conveying chain, its direction of travel should be toward the open ends of the links.

All Allied-Locke 400 Class Pintle Chain is manufactured according to manufacturer's standards and is completely interchangeable with other manufacturers' chain.

400 CLASS PINTLE CHAIN MATERIALS

MOLINE CHAIN NO.	LINKS	PINS
442	ALL NUMBERS Moline Promal	ALL NUMBERS Carbon Steel, Heat-Treated
445		
452		
455		
462		
477		
488		
4103		

ORDERING AND APPLICATION DATA

MOLINE CHAIN NO.	DIMENSIONS IN DECIMAL INCHES						
	PITCH IN INCHES	LINKS PER 10 FEET	WEIGHT PER FOOT LBS.	AVERAGE ULTIMATE STRENGTH LBS.	RECOMMENDED MAXIMUM WORKING LOAD LBS.	CHAIN CONSTRUCTION	AVAILABLE ATTACHMENTS
442	1.375	88	1.4	7,800	1,000	Riveted or Cottered	None
445	1.630	74	1.5	7,800	1,000	Riveted or Cottered	A1, F2, K1
452	1.506	80	2.0	9,100	1,250	Riveted or Cottered	A88, D5, E1, K1
455	1.630	74	1.9	9,490	1,260	Riveted or Cottered	D15, F2, K1
462	1.634	73	2.5	11,700	1,880	Riveted or Cottered	A12, F2, K1
477	2.308	52	2.0	12,480	1,640	Riveted or Cottered	A22, D5, F2, F16, G1, G19, K1, K2
488	2.609	46	2.9	14,300	2,130	Riveted or Cottered	F2, G19, K1, K2
4103	3.075	39	5.7	28,600	4,200	Riveted or Cottered	F2, F29, K2

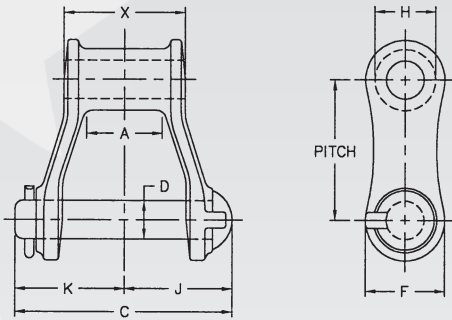


400 CLASS PINTLE CHAIN

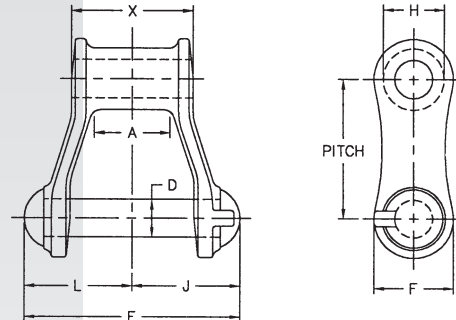
**ALLIED-LOCKE
INDUSTRIES**



Cottered



Riveted



Available in riveted and cottered construction
Cottered furnished unless otherwise specified

DIMENSIONS IN DECIMAL INCHES

MOLINE CHAIN NO.	PITCH	MAXIMUM ALLOWABLE SPROCKET FACE A	OVER-ALL WIDTH—COTTERED C	DIAMETER OF PIN D	OVER-ALL WIDTH—RIVETED E	HEIGHT OF SIDEBARS F	DIAMETER OF BARREL H	HEAD OF PIN TO CENTER LINE J	END OF PIN TO CENTER LINE—COTTERED K	END OF PIN TO CENTER LINE—RIVETED L	BEARING LENGTH X
442	1.375	0.62	2.03	0.31	1.88	0.75	0.56	0.97	1.06	0.91	1.06
445	1.630	0.69	2.03	0.31	1.88	0.75	0.62	0.97	1.06	0.91	1.06
452	1.506	0.62	2.22	0.38	2.06	0.84	0.69	1.03	1.19	1.03	1.09
455	1.630	0.69	2.22	0.38	2.06	0.84	0.62	1.03	1.19	1.03	1.12
462	1.634	0.88	2.56	0.44	2.38	0.94	0.72	1.25	1.31	1.12	1.44
477	2.308	0.69	2.38	0.44	2.25	1.00	0.72	1.16	1.22	1.09	1.25
488	2.609	0.94	2.94	0.44	2.75	0.94	0.88	1.44	1.50	1.31	1.62
4103	3.075	1.12	3.56	0.75	3.25	1.50	1.25	1.75	1.81	1.50	1.88

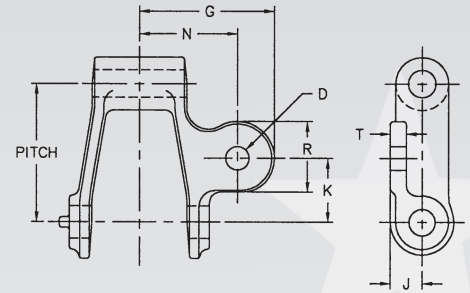




400 CLASS PINTLE CHAIN ATTACHMENTS

A1 ATTACHMENT

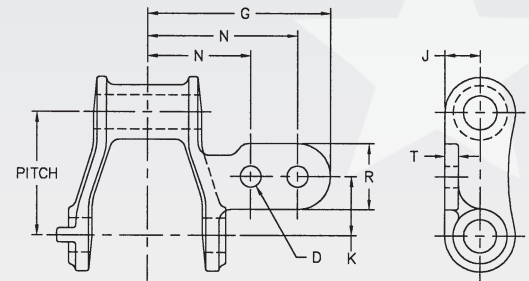
NOTE: "R" and "L" suffixes in Allied-Locke Attachment Letters designate right hand and left hand attachments.



MOLINE ATTACHMENT NO.	DIMENSIONS IN DECIMAL INCHES									AVERAGE WEIGHT PER FOOT LBS.
	PITCH	D		G	J	K	N	R	T	
		BOLT DIAMETER	HOLE DIAMETER							
445-A1R	1.630	0.25	0.28	1.59	0.38	0.75	1.16	0.88	0.19	1.8
445-A1L	1.630	0.25	0.28	1.59	0.38	0.75	1.16	0.88	0.19	1.8

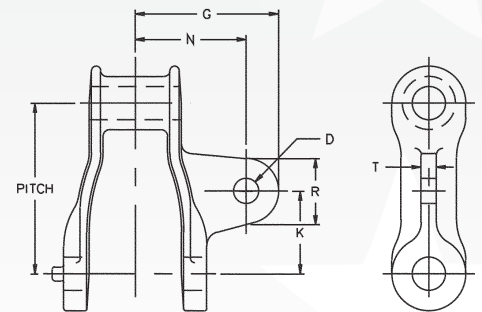
A12 ATTACHMENT

NOTE: "R" and "L" suffixes in Allied-Locke Attachment Letters designate right hand and left hand attachments.



MOLINE ATTACHMENT NO.	DIMENSIONS IN DECIMAL INCHES										AVERAGE WEIGHT PER FOOT LBS.
	PITCH	D		G	J	K	N	N ₁	R	T	
		BOLT DIAMETER	HOLE DIAMETER								
462-A12R	1.634	0.25	0.28	2.44	0.44	0.78	2.00	1.38	0.88	0.19	3.0
462-A12L	1.634	0.25	0.28	2.44	0.44	0.78	2.00	1.38	0.88	0.19	3.0

A22 ATTACHMENT



MOLINE ATTACHMENT NO.	DIMENSIONS IN DECIMAL INCHES								AVERAGE WEIGHT PER FOOT LBS.
	PITCH	D		G	K	N	R	T	
		BOLT DIAMETER	HOLE DIAMETER						
477-A22	2.308	0.31	0.34	1.94	1.12	1.50	0.88	0.25	2.5

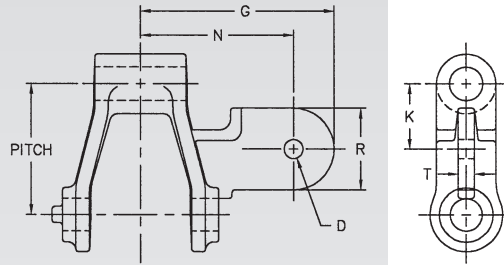


400 CLASS PINTLE CHAIN ATTACHMENTS

**ALLIED-LOCKE
INDUSTRIES**



A88 ATTACHMENT



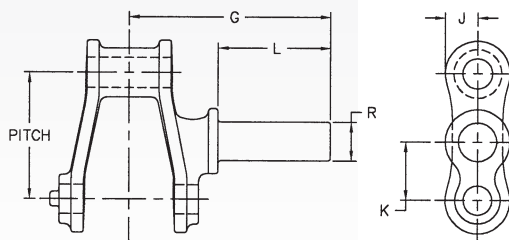
MOLINE ATTACHMENT NO.	DIMENSIONS IN DECIMAL INCHES								AVERAGE WEIGHT PER FOOT LBS.
	PITCH	D		G	K	N	R	T	
		BOLT DIAMETER	HOLE DIAMETER						
452-A88	1.506	0.19	0.22	2.25	0.75	1.78	0.94	0.19	2.6

MOLINE ATTACHMENT NO.	DIMENSIONS IN DECIMAL INCHES						AVERAGE WEIGHT PER FOOT LBS.
	PITCH	G	J	K	L	R	
452-D5	1.506	2.50	0.38	0.75	1.59	0.56	3.0
477-D5	2.308	2.75	0.62	1.12	1.50	0.62	3.1

MOLINE ATTACHMENT NO.	DIMENSIONS IN DECIMAL INCHES						AVERAGE WEIGHT PER FOOT LBS.
	PITCH	G	J	K	L	R	
455-D15	1.630	2.62	0.38	0.75	1.75	0.50	3.4

D5 ATTACHMENT

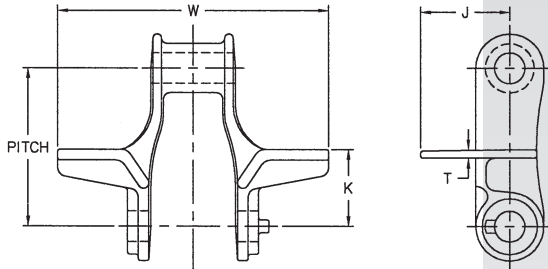
D15 ATTACHMENT



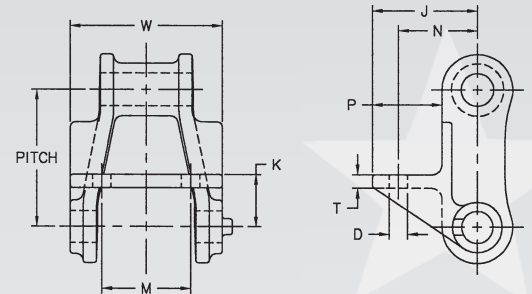


400 CLASS PINTLE CHAIN ATTACHMENTS

F16 ATTACHMENT



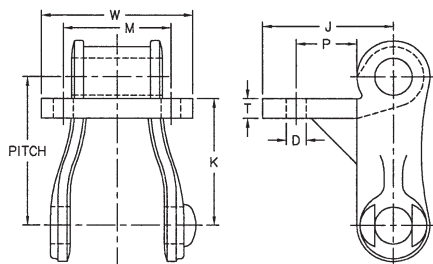
F2 ATTACHMENT



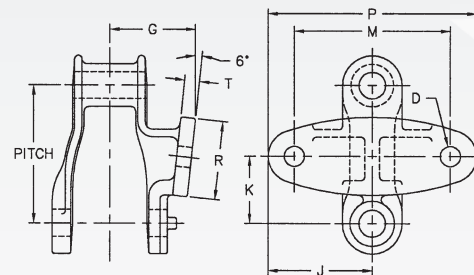
MOLINE ATTACHMENT NO.	DIMENSIONS IN DECIMAL INCHES					AVERAGE WEIGHT PER FOOT LBS.
	PITCH	J	K	T	W	
477-F16	2.308	1.38	1.25	0.19	4.12	3.3

MOLINE ATTACHMENT NO.	DIMENSIONS IN DECIMAL INCHES										AVERAGE WEIGHT PER FOOT LBS.
	PITCH	D		J	K	M	N	P	T	W	
		BOLT DIAMETER	HOLE DIAMETER								
445-F2	1.630	0.19	0.22	1.28	0.62	1.06	0.94	0.91	0.16	1.50	2.0
455-F2	1.630	0.19	0.22	1.25	0.62	1.06	0.94	0.81	0.16	1.81	2.7
462-F2	1.634	0.19	0.22	1.31	0.62	1.06	1.00	0.81	0.16	2.09	2.5
477-F2	2.308	0.31	0.34	2.00	0.75	1.75	1.44	1.50	0.25	2.62	3.7
488-F2	2.609	0.31	0.34	1.97	1.06	2.03	1.38	1.50	0.28	2.88	4.5
4103-F2	3.075	0.38	0.41	2.66	1.25	2.22	2.00	1.91	0.31	3.12	8.1

F29 ATTACHMENT



G1 ATTACHMENT



MOLINE ATTACHMENT NO.	DIMENSIONS IN DECIMAL INCHES									AVERAGE WEIGHT PER FOOT LBS.
	PITCH	D		J	K	M	P	T	W	
		BOLT DIAMETER	HOLE DIAMETER							
4103-F29	3.075	0.38	0.41	2.69	2.62	2.22	1.25	0.41	3.12	9.6

MOLINE ATTACHMENT NO.	DIMENSIONS IN DECIMAL INCHES										AVERAGE WEIGHT PER FOOT LBS.
	PITCH	D		G	J	K	M	P	R	T	
		BOLT DIAMETER	HOLE DIAMETER								
477-G1	2.308	0.31	0.34	1.44	1.75	1.12	2.62	3.50	1.31	0.25	3.7

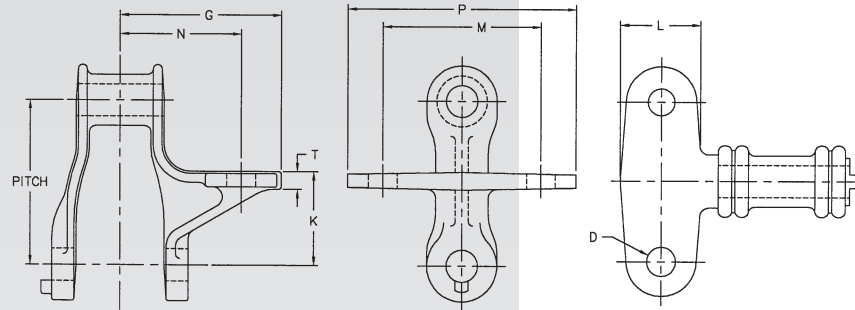


400 CLASS PINTLE CHAIN ATTACHMENTS

**ALLIED-LOCKE
INDUSTRIES**

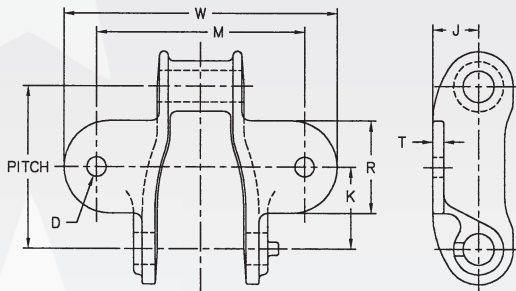


G19 ATTACHMENT

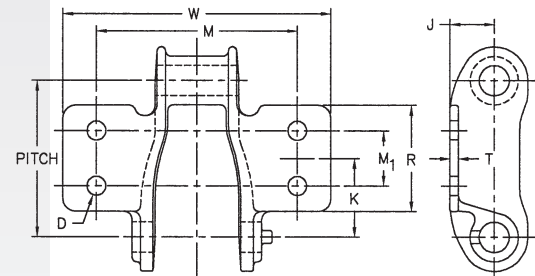


MOLINE ATTACHMENT NO.	DIMENSIONS IN DECIMAL INCHES										AVERAGE WEIGHT PER FOOT LBS.
	PITCH	D		G	K	L	M	N	P	T	
		BOLT DIAMETER	HOLE DIAMETER								
477-G19	2.308	0.38	0.41	2.28	1.31	1.12	2.25	1.72	3.25	0.19	3.3
488-G19	2.609	0.31	0.34	2.69	1.38	1.38	2.62	2.00	3.62	0.22	4.4

K1 ATTACHMENT



K2 ATTACHMENT



MOLINE ATTACHMENT NO.	DIMENSIONS IN DECIMAL INCHES									AVERAGE WEIGHT PER FOOT LBS.
	PITCH	D		J	K	M	R	T	W	
		BOLT DIAMETER	HOLE DIAMETER							
445-K1	1.630	0.19	0.22	0.44	0.72	2.06	0.94	0.12	2.81	2.1
452-K1	1.506	0.19	0.22	0.44	0.75	2.06	0.72	0.16	2.75	2.5
455-K1*	1.630	0.25	0.28	0.44	0.81	2.00	0.81	0.16	2.88	2.3
462-K1	1.634	0.25	0.28	0.50	0.81	2.38	0.94	0.16	3.25	3.2
477-K1	2.308	0.25	0.28	0.66	1.16	3.00	1.38	0.16	3.94	2.9
488-K1	2.609	0.31	0.34	0.66	1.31	3.81	1.38	0.19	4.75	3.9

*Available cotted construction only.

MOLINE ATTACHMENT NO.	DIMENSIONS IN DECIMAL INCHES										AVERAGE WEIGHT PER FOOT LBS.
	PITCH	D		J	K	M	M ₁	R	T	W	
		BOLT DIAMETER	HOLE DIAMETER								
477-K2	2.308	0.25	0.28	0.66	1.16	3.00	0.81	1.56	0.12	4.00	2.9
488-K2	2.609	0.31	0.34	0.66	1.28	3.62	1.25	2.12	0.19	4.50	4.6
4103-K2	3.075	0.50	0.56	0.84	1.53	4.12	1.50	2.62	0.31	5.25	8.0





700 CLASS PINTLE CHAIN

Allied-Locke's long pitch 700 Class Pintle Chain offers maximum strength at minimum weight. It is totally suited for sewage plant applications as well as other conveying and elevating uses. Sidebars have casted lugs to fit.

T-head pins fit snugly, eliminating pin rotation and preventing the entrance of dirt and grit into the accurately cored pin holes. Closed bearing construction also helps to keep the chain safe from pitch elongation due to abrasive wear.

Cottered chain construction is recommended for sewage application, but either cottered or riveted construction is available on request. Stainless steel cotters can be furnished when specified.

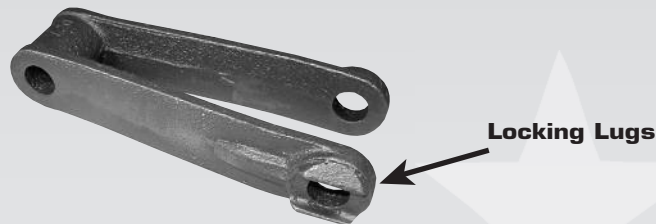
"F" attachments shown in the following pages and tables conform to industry standards. However, many specials are also available. Contact Allied-Locke for details.

Allied-Locke 700 Class Pintle Chain is furnished with carbon steel heat treated pins. These pins achieve optimum articulation because they are manufactured to exact diameters which properly fit the accurately cored holes of the chain links.

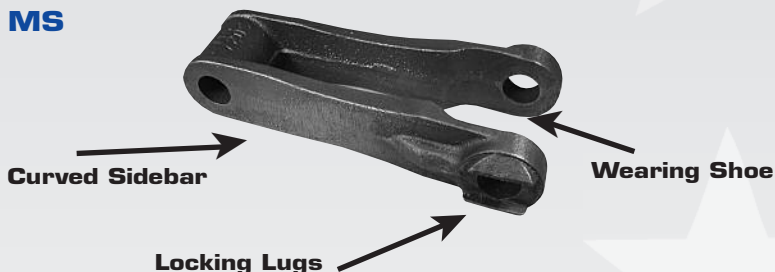
Brutaloy sprocket wheels are available. The curved sidebars on 700 Class Pintle Chain are a feature which enhances maximum chain life when chain is run on Chain Saver Hunting Tooth Sprockets. A, F, K, and M Style attachments are available. The "F" style attachments have large face plates with bolt holes for secure mounting of wooden flights.

As drive chain, 700 Class Pintle links are designed to travel in the direction of their barrel ends; as elevator and conveyor chain, they should travel in the direction of their open ends. All Allied-Locke 700 Class Chain is made to manufacturer's standards and is interchangeable with other manufacturers' chain.

PLAIN



MS



700 CLASS PINTLE CHAIN MATERIALS

A-L CHAIN NO.	CAST LINKS	PINS
720	ALL NUMBERS	ALL NUMBERS
720S		
MS720S	A-L Promal	Carbon Steel, Heat Treated
730		
MS730		
788		

ORDERING AND APPLICATION DATA

A-L CHAIN NO.	DIMENSIONS IN DECIMAL INCHES						
	PITCH IN INCHES	LINKS PER 10 FEET	WEIGHT PER FOOT LBS.	AVERAGE ULTIMATE STRENGTH LBS.	RECOMMENDED MAXIMUM WORKING LOAD LBS.	CHAIN CONSTRUCTION	AVAILABLE ATTACHMENTS
				A-L Promal			
720	6.000	20	4.2	28,600	3,720	Riveted or Cottered	A2, A53, AM116, F2, F22-6, F22-8, K1, K2, M1, PDF2, PDF22-6, PDF22-8
720 S	6.000	20	5.2	39,000	4,200	Riveted or Cottered	A2, A53, AM116, F2, F22-6, F22-8, K2, M1
MS 720 S	6.000	20	6.2	42,000	4,200	Riveted or Cottered	A2, A42, F2, F22-6, F22-8, K2, M1
730	6.000	20	6.0	39,000	4,500	Riveted or Cottered	A2, A42, F2, F22-6, F22-8, K2, M1
MS 730	6.000	20	6.3	39,000	4,500	Riveted or Cottered	F2, F22-6, F22-8, M1
788	2.609	46	4.6	22,750	2,740	Riveted or Cottered	None

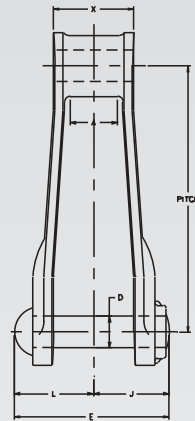


700 CLASS PINTLE CHAIN

**ALLIED-LOCKE
INDUSTRIES**



RIVETED

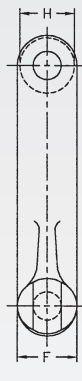
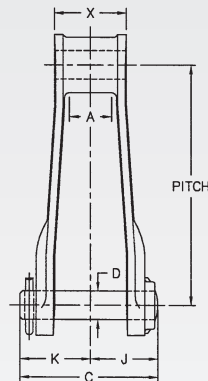


**"Plain"
Straight
S/B**



**"MS"
Curved
S/B**

COTTERED



**"Plain"
Straight
S/B**



**"MS"
Curved
S/B**

Available in riveted or cottered construction
Cottered furnished unless otherwise specified

DIMENSIONS IN DECIMAL INCHES

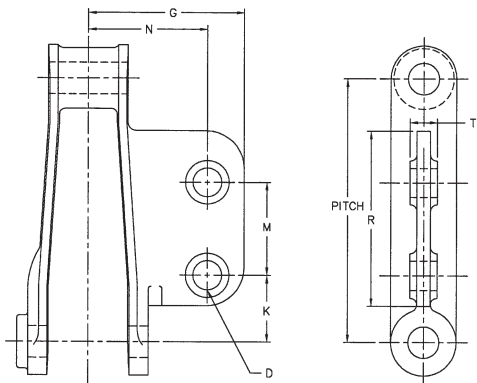
A-L CHAIN NO.	PITCH	MAXIMUM ALLOWABLE SPROCKET FACE A	OVER-ALL WIDTH—COTTERED C	DIAMETER OF PIN D	OVER-ALL WIDTH—RIVETED E	HEIGHT OF SIDEBARS F	DIAMETER OF BARREL H	HEAD OF PIN TO CENTER LINE J	END OF PIN TO CENTER LINE—COTTERED K	END OF PIN TO CENTER LINE—RIVETED L	BEARING LENGTH X
720	6.000	1.12	3.44	0.69	3.31	1.50	1.38	1.62	1.81	1.69	1.81
720S	6.000	1.12	3.81	0.75	3.69	1.56	1.44	1.75	2.06	1.94	1.88
MS 720S	6.000	1.12	3.81	0.75	3.69	1.56	1.44	1.75	2.06	1.94	1.88
730	6.000	1.12	3.81	0.75	3.69	1.75	1.50	1.81	2.00	1.88	2.00
MS 730	6.000	1.12	3.81	0.75	3.69	1.75	1.50	1.81	2.00	1.88	2.00
788	2.609	0.94	3.31	0.56	3.19	1.19	0.88	1.56	1.75	1.62	1.62





700 CLASS PINTLE CHAIN ATTACHMENTS

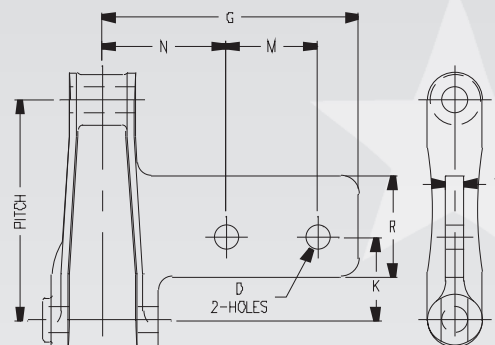
A2 ATTACHMENT



Attachment No.
730-A2, available
without bosses only

Attachment Nos.
720-A2 and
MS 720S-A2, available
with bosses only

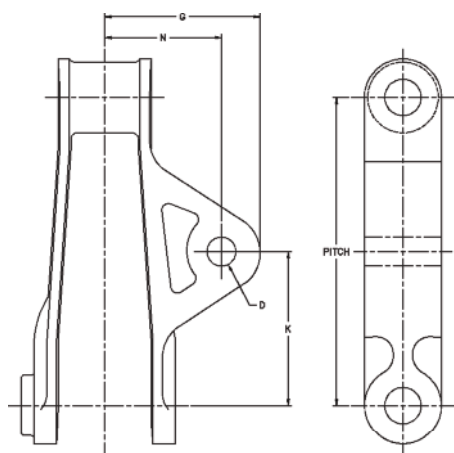
AD474 ATTACHMENT



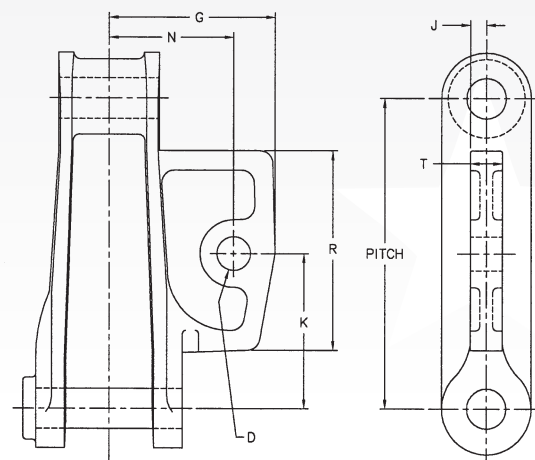
A-L ATTACHMENT NO.	DIMENSIONS IN DECIMAL INCHES									AVERAGE WEIGHT PER FOOT LBS.
	PITCH	D		G	K	M	N	R	T	
		BOLT DIAMETER	HOLE DIAMETER							
720-A2	6.000	0.62	0.69	3.56	1.50	2.12	2.72	4.00	0.62	6.5
MS720 S-A2	6.000	0.62	0.69	3.56	1.94	2.12	2.75	3.75	0.62	8.8
730-A2	6.000	0.62	0.69	3.56	1.94	2.12	2.75	3.81	0.44	8.6

A-L ATTACHMENT NO.	DIMENSIONS IN DECIMAL INCHES									AVERAGE WEIGHT PER FOOT LBS.
	PITCH	D		G	K	M	N	R	T	
		BOLT DIAMETER	HOLE DIAMETER							
MS720 S-AD474	6.000	0.62	0.66	7.00	2.25	2.50	3.38	2.75	0.50	6.5

A-L ATTACHMENT NO.	DIMENSIONS IN DECIMAL INCHES									AVERAGE WEIGHT PER FOOT LBS.
	PITCH	D		G	J	K	N	R	T	
		BOLT DIAMETER	HOLE DIAMETER							
730-A42	6.000	0.62	0.69	3.25	0.31	3.00	2.44	3.88	0.62	7.3
MS720 S-A42	6.000	0.62	0.66	3.88	0.78	3.00	3.00	3.88	1.56	9.0



A42 ATTACHMENTS

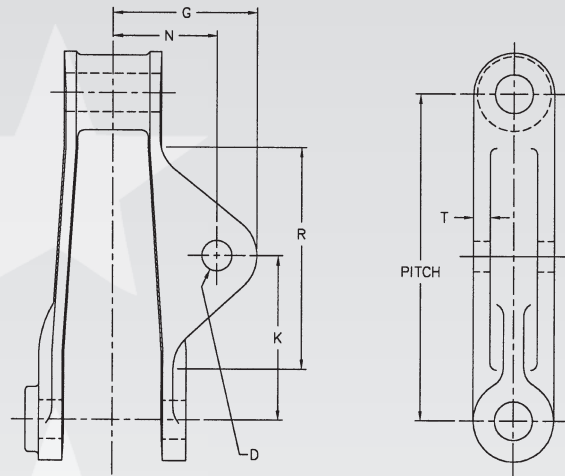


700 CLASS PINTLE CHAIN ATTACHMENTS

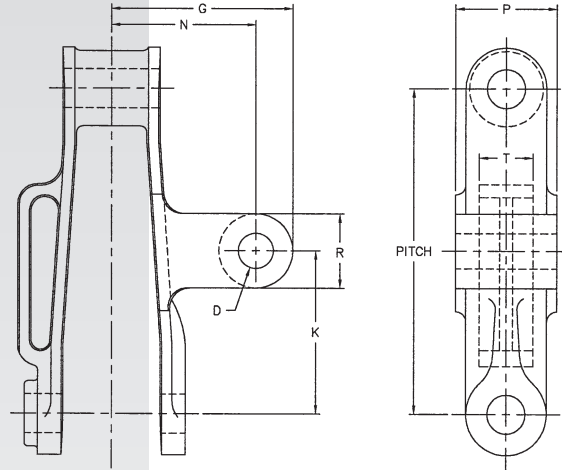
**ALLIED-LOCKE
INDUSTRIES**



A53 ATTACHMENT

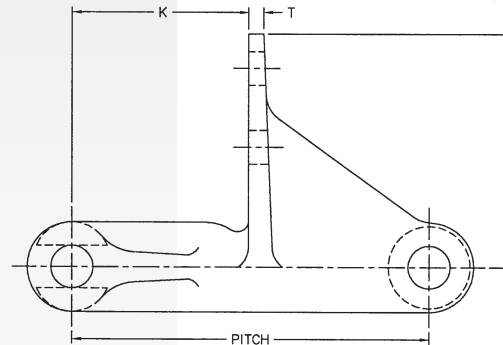
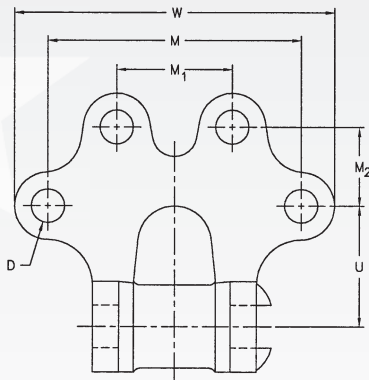


AM116 ATTACHMENT



A-L ATTACHMENT NO.	DIMENSIONS IN DECIMAL INCHES									AVERAGE WEIGHT PER FOOT LBS.
	PITCH	D		G	K	N	P	R	T	
		BOLT DIAMETER	HOLE DIAMETER							
720-A53	6.000	0.50	0.56	2.69	3.00	1.94	—	3.75	0.31	6.3
720S-A53	6.000	0.50	0.56	2.69	3.00	1.94	—	3.00	0.31	7.3
720-AM116	6.000	0.62	0.66	3.38	3.00	2.75	1.88	1.94	1.38	7.8
720S-AM116	6.000	0.62	0.66	3.38	3.00	2.69	1.88	1.88	1.38	7.8

F2 ATTACHMENT



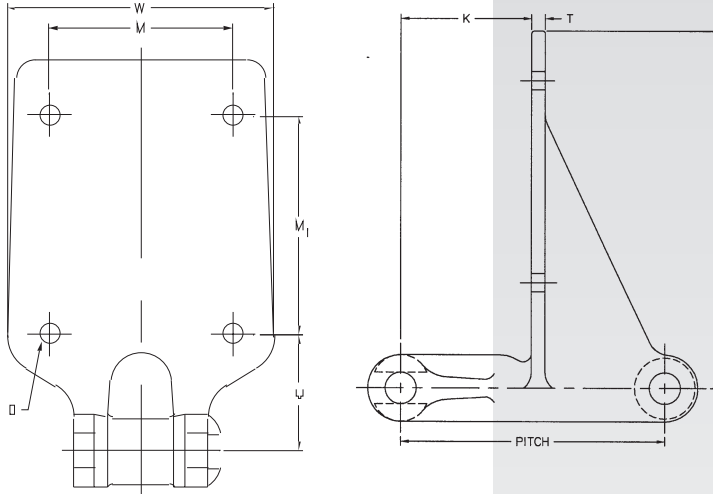
A-L ATTACHMENT NO.	DIMENSIONS IN DECIMAL INCHES											AVERAGE WEIGHT PER FOOT LBS.
	PITCH	D		J	K	M	M ₁	M ₂	T	U	W	
		BOLT DIAMETER	HOLE DIAMETER									
720-F2	6.000	0.50	0.56	3.88	3.00	4.25	1.94	1.31	0.25	2.00	5.31	6.4
720-S-F2	6.000	0.38	0.44	3.88	3.00	4.25	1.94	1.31	0.25	2.00	5.31	7.7
MS 720 S-F2	6.000	0.38	0.44	3.88	3.00	4.25	1.94	1.31	0.25	2.00	5.31	7.7
730-F2	6.000	0.38	0.44	3.84	3.00	4.25	1.94	1.31	0.38	2.00	5.31	7.5
MS 730-F2	6.000	0.38	0.44	3.84	3.00	4.25	1.94	1.31	0.38	2.00	5.31	7.5



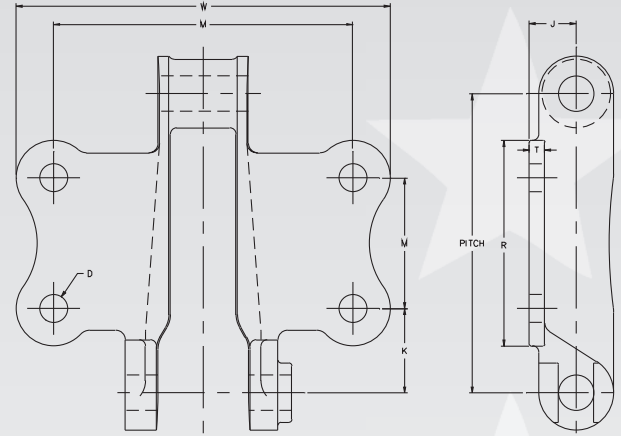


700 CLASS PINTLE CHAIN ATTACHMENTS

F22 ATTACHMENT



K2 ATTACHMENT



F22-6 ATTACHMENT

A-L ATTACHMENT NO.	DIMENSIONS IN DECIMAL INCHES										AVERAGE WEIGHT PER FOOT LBS.
	PITCH	D		J	K	M	M ₁	T	U	W	
		BOLT DIAMETER	HOLE DIAMETER								
720-F22-6	6.000	0.38	0.44	6.00	3.00	3.75	2.62	0.31	2.38	5.50	12.8
720S-F22-6	6.000	0.38	0.44	6.00	3.00	3.75	2.62	0.31	2.38	5.50	13.8
MS 720S-F22-6	6.000	0.38	0.44	6.00	3.00	3.75	2.62	0.31	2.38	5.50	13.8
730-F22-6	6.000	0.38	0.44	6.00	3.00	3.75	2.62	0.31	2.38	5.50	13.8
MS 730-F22-6	6.000	0.38	0.44	6.00	3.00	3.75	2.62	0.31	2.38	5.50	13.8

F22-8 ATTACHMENT

A-L ATTACHMENT NO.	DIMENSIONS IN DECIMAL INCHES										AVERAGE WEIGHT PER FOOT LBS.
	PITCH	D		J	K	M	M ₁	T	U	W	
		BOLT DIAMETER	HOLE DIAMETER								
720-F22-8	6.000	0.38	0.44	8.00	3.00	3.75	4.50	0.31	2.38	5.50	13.6
720S-F22-8	6.000	0.38	0.44	8.00	3.00	3.75	4.50	0.31	2.38	5.50	14.6
MS 720S-F22-8	6.000	0.38	0.44	8.00	3.00	3.75	4.50	0.31	2.38	5.50	14.6
730-F22-8	6.000	0.38	0.44	8.00	3.00	3.75	4.50	0.31	2.38	5.50	14.6
MS 730-F22-8	6.000	0.38	0.44	8.00	3.00	3.75	4.50	0.31	2.38	5.50	14.6

K2 ATTACHMENT

A-L ATTACHMENT NO.	DIMENSIONS IN DECIMAL INCHES										AVERAGE WEIGHT PER FOOT LBS.
	PITCH	D		J	K	M	M ₁	R	T	W	
		BOLT DIAMETER	HOLE DIAMETER								
MS 720S-K2	6.000	0.50	0.56	0.94	1.69	6.00	2.62	4.12	0.31	7.50	8.5
730-K2	6.000	0.50	0.56	1.00	1.69	6.00	2.62	4.00	0.31	7.31	8.6

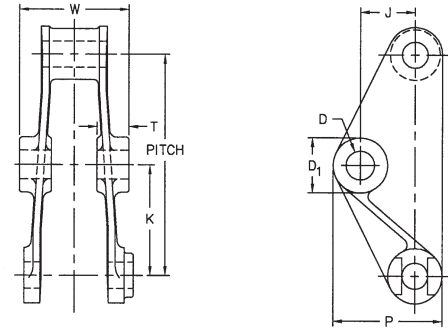


700 CLASS PINTLE CHAIN ATTACHMENTS
SS715 STAINLESS STEEL CHAINS
MSS78 STAINLESS STEEL CHAINS

ALLIED-LOCKE
INDUSTRIES

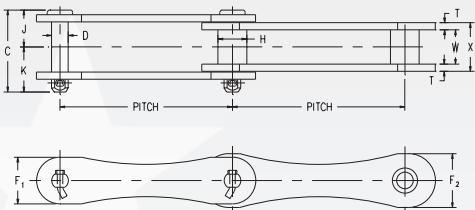


M-1 ATTACHMENT

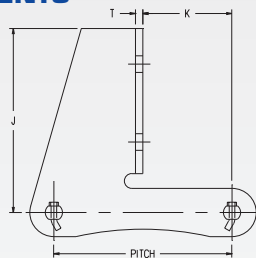


A-L ATTACHMENT NO.	DIMENSIONS IN DECIMAL INCHES									AVERAGE WEIGHT PER FOOT LBS.
	PITCH	D		D ₁	J	K	P	T	W	
		BOLT DIAMETER	HOLE DIAMETER							
720-M1	6.000	0.75	0.81	1.50	1.50	3.00	3.00	0.75	3.00	6.0
720S-M1	6.000	0.75	0.81	1.50	1.50	3.00	3.00	0.75	3.00	6.9
MS 720S-M1	6.000	0.75	0.81	1.50	1.50	3.00	3.00	0.75	3.00	6.9
730-M1	6.000	0.75	0.81	1.50	1.62	3.00	3.25	0.75	3.00	7.9
MS 730-M1	6.000	0.75	0.81	1.50	1.62	3.00	3.25	0.75	3.00	7.9

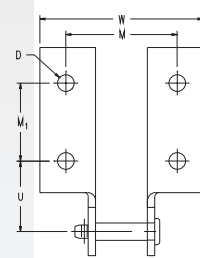
STAINLESS STEEL CHAINS AND ATTACHMENTS



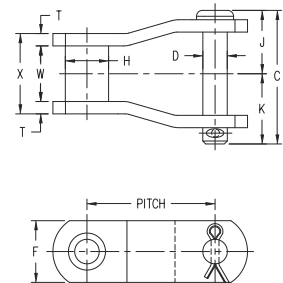
SS-715



SS715-F22



MSS78



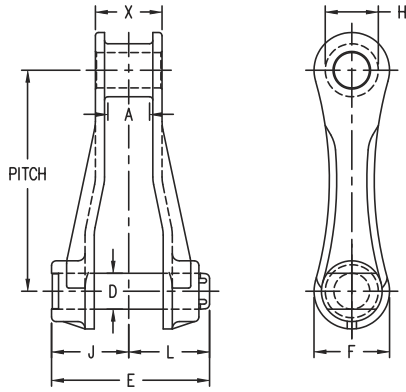
ALI Catalog No.	Pitch in Inches	Links Per 10 Feet	Weight Per Foot in Lbs.	Average Ultimate Strength in Lbs.	Over-All Width - Detachable Cottered C	Pin Dia. D	Height of Side Bar			Dia. of Bushing H	Head of Pin to Center Line J	End of Pin to Center Line - Detachable Cottered K	Thickness of Side Bar T	Distance Between Side Bars W	Over-All Length of Bushing X
							F	F ₁	F ₂						
SS715	6.00	20	3.9	33,000	2.82	.562	—	1.88	1.62	1.00	1.32	1.50	.25	1.19	1.69
MSS78	2.609	46	4.2	24,000	2.70	.500	1.25	—	—	.88	1.28	1.42	.25	1.19	1.62

ALI Attachment No.	Pitch in Inches	D		J	K	M	M ₁	T	U	W	Weight Each Lbs.
		Bolt Diameter	Hole Diameter								
SS715-F226	6.0	0.38	0.44	6.21	3.00	3.75	2.62	0.31	2.38	5.50	4.5
SS715-F228	6.0	0.38	0.44	7.88	3.00	3.75	4.50	0.31	2.38	5.50	5.4

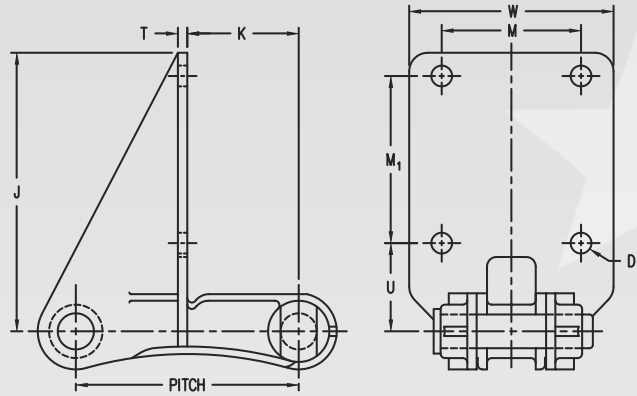




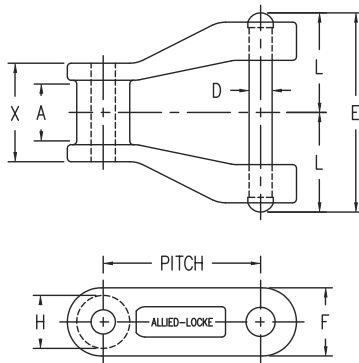
NON-METALLIC CHAINS AND ATTACHMENTS



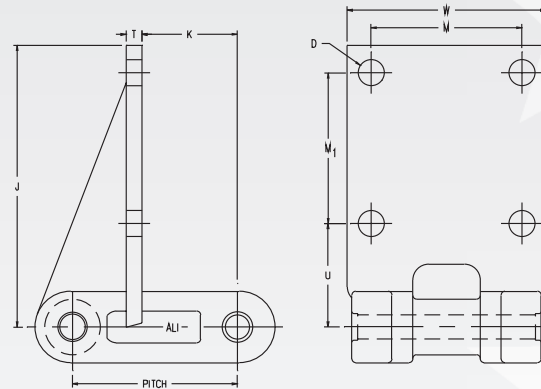
NCS720S



NCS720S-F22



NH78



NH78-F2

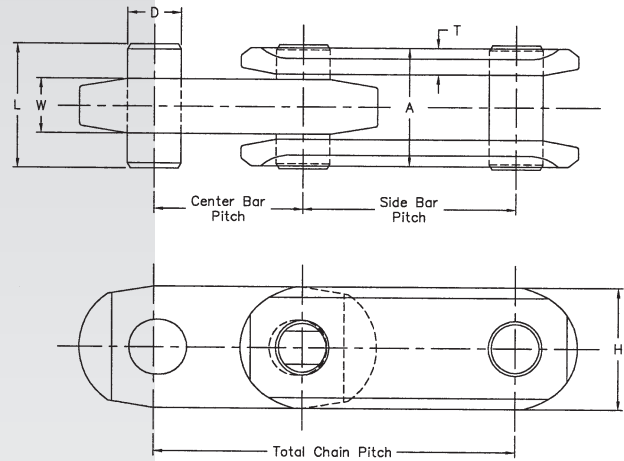
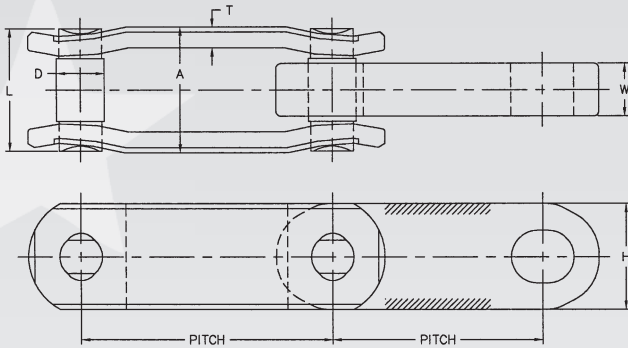
ALI Catalog No.	Pitch in Inches	Links Per 10 Feet	Weight Per Foot in Lbs.	Average Ultimate Strength in Lbs.	Maximum Allowable Sprocket Face A	Over-All Width Detachable Cottered C	Pin Dia. D	Over-All Width Fixed Riveted E	Height of Side Bar F	Dia. of Barrel H	Head of Pin to Center Line J	End of Pin to Center Line Detachable Cottered K	End of Pin to Center Line Fixed Riveted L	Bearing Length X
NCS720S	6.00	20	1.5	6,000	1.12	4.29	.93	—	2.03	1.44	2.10	2.19	—	1.81
NH78	2.609	46	1.5	3,100	.94	—	.38	3.19	1.12	.88	—	—	1.59	1.62

ALI Attachment No.	Pitch in Inches	D		J	K	M	M ₁	T	U	W
		Bolt Diameter	Hole Diameter							
NCS720S-F226	6.000	0.50	0.56	6.14	3.00	3.75	2.62	0.25	2.38	5.50
NCS720S-F228	6.000	0.50	0.56	7.50	3.00	3.75	4.50	0.25	2.38	5.50
NH78-F2	2.609	0.38	0.41	4.44	1.50	2.38	2.38	0.25	1.62	3.12



DOUBLE FLEX CHAIN

**ALLIED-LOCKE
INDUSTRIES**



Dimensions Listed in Inches

CHAIN NUMBER	PITCH	CHAIN WIDTH		LINK PLATE		PIN		MINIMUM FLEX RADIUS	AVERAGE TENSILE STGTH. (LBS.)	MAXIMUM ALLOWABLE WORK LOAD ¹ (LBS.)	APPROX. WEIGHT (LBS./FT.)
		OVERALL	INSIDE LINK								
		A	W	T	H	D	L				
DF-3498	1.750 2.500	1.45	.64	.31	1.40	.63	1.45	18.00	38,000	4,000	3.9
DF-3500	2.500 3.000	1.50	.63	.25	1.25	.57	1.46	20.00	33,000	4,000	3.3
DF-3910	3.000 3.000	1.50	.63	.25	1.25	.57	1.46	22.00	33,000	4,000	3.3



DF3498

DF3500



DF3910





ALLIED-LOCKE
INDUSTRIES

ELEVATOR BUCKETS



MD Style



AC Style



Fabricated

Allied-Locke's Elevator Buckets are offered in Styles "MD" Mill Duty and "AC" Extra Capacity. The "MD" Mill Duty Bucket replaces former Styles "AA" and "AARB."

ALLIED-LOCKE STYLE "MD" ELEVATOR BUCKETS

Allied-Locke Style "MD" Elevator Buckets are the most popular buckets for general purpose elevators. They cover a wide range of sizes from 4 to 20 inches in length and are used for fine and medium size materials, such as coal, cement, pulp, grain, and ear corn. They are also widely used for heavy abrasive materials such as sand, gravel, and stone. Reinforced front lips give buckets a long-wearing digging edge. Bucket walls have uniform thickness and strong corner reinforcements. Consult our specification tables for complete information.

Available in Allied-Locke Malleable and Allied-Locke Promal or in Fabricated Steel.

ALLIED LOCKE STYLE "AC" ELEVATOR BUCKETS

Allied-Locke Style "AC" Elevator Buckets are extra capacity buckets which provide fast, complete discharge of cement, lime, and other dry materials. Vent holes in the bottom of each bucket release trapped air on filling and allow material to empty from bucket quickly and completely. The lips are reinforced and the backs are hooded. These features permit closer bucket spacing and provide 30% greater carrying capacity than other bucket styles of the same length. Buckets have extra thickness of metal at wear points. Consult our specification tables for complete information.

Available in Allied-Locke Malleable and Allied-Locke Promal or in Fabricated Steel.



STYLE "MD" ELEVATOR BUCKETS for general purpose elevators

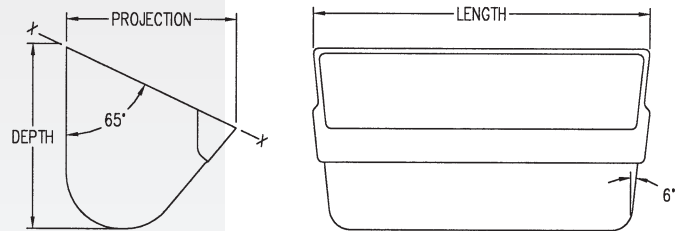
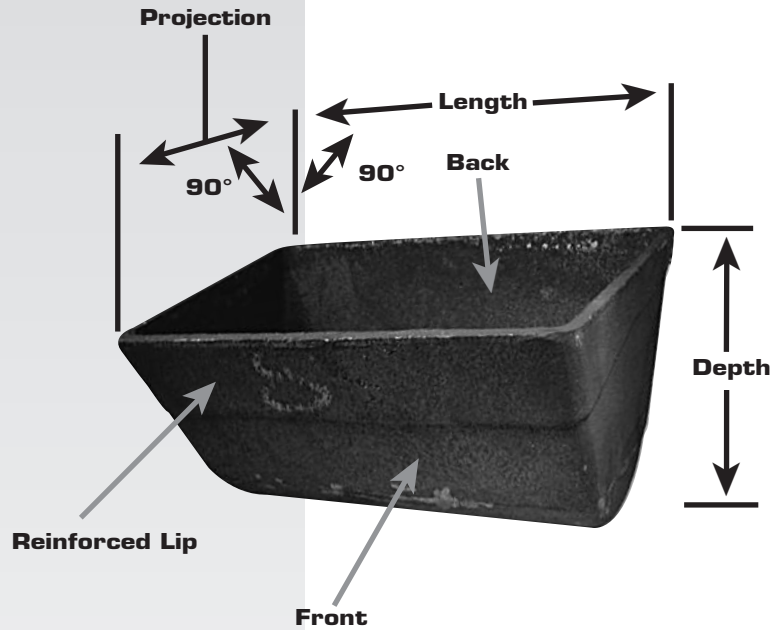
ALLIED-LOCKE INDUSTRIES



Rugged construction Allied-Locke Style "MD" Buckets are most popular for general purpose elevators. Covering a wide range of sizes from 4 to 20 inches long, they are used for fine and medium size materials such as coal, cement, pulp, grain, ear corn, etc. They are widely used for heavy abrasive materials such as sand, gravel, and stone. Reinforced front lips give Allied-Locke Style "MD" Buckets a long wearing digging edge. Uniform wall thickness and strong corner reinforcement make them stronger than steel buckets of the same gauge. They are smoothly surfaced and have ends sloped inward at 6 degree angles to insure proper filling and clean discharge. Available in Allied-Locke Malleable and Allied-Locke Promal.

Chain for which buckets are available include: Steel Bushed Roller, Steel Bushed, Combination, "H" Class Mill, 400 Class Pintle, and 700 Class Pintle. "MD" Buckets are used with G1, G6, K1, or K2 style attachments when they are available in the chain type.

Capacities are for buckets filled to the line XX (see diagram). The practical operating capacity will vary with the loading conditions, angle of repose of the material being handled, and the inclination of the elevator.



ORDERING AND APPLICATION DATA

A-L BUCKET NO.	DIMENSIONS IN DECIMAL INCHES			CAPACITY IN CUBIC FEET	MAXIMUM LUMP SIZE (Diameter) WHEN % OF LUMP IS:			WEIGHT LBS.
	LENGTH	PROJECTION	DEPTH		UNDER 10%	10 TO 75%	75% & OVER	
4x3-MD	4	2.75	3	.01	1.75	1	1.5	1.5
6x4-MD	6	4	4.25	.03	2.5	2	2	4.0
8x5-MD	8	5	5.5	.07	3	2.5	1.25	7.2
10x6-MD	10	6	6.25	.12	3.5	3	1.5	9.3
12x6-MD	12	6	6.25	.14	3.5	3	1.5	11.0
12x7-MD	12	7	7.25	.19	4	3.5	1.75	13.6
14x7-MD	14	7	7.25	.23	4	3.5	1.75	15.0
14x8-MD	14	8	8.25	.30	4.5	4	2	22.9
16x7-MD	16	7	7.25	.27	4	3.5	1.75	20.3
16x8-MD	16	8	8.5	.34	4.5	4	2	24.0
18x8-MD	18	8	8.5	.39	4.5	4	2	29.8
18x10-MD	18	10	10.5	.61	5	4.5	2.25	43.5





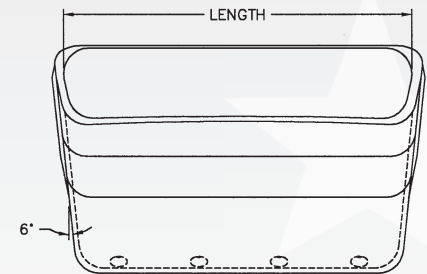
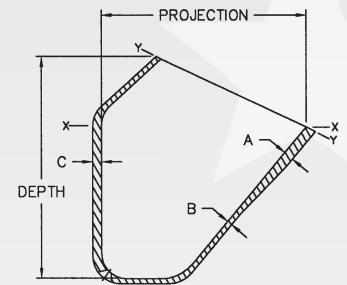
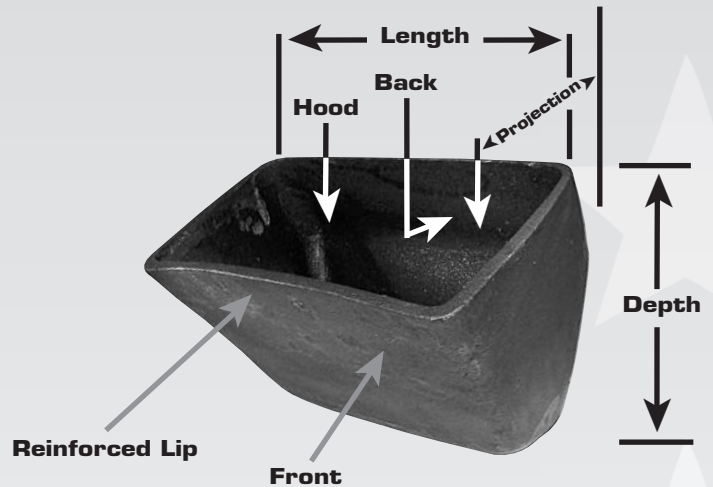
ALLIED-LOCKE
INDUSTRIES

STYLE "AC" ELEVATOR BUCKETS for handling cement, lime, and fluffy materials

Allied-Locke Style "AC" Buckets provide fast, thorough discharge of cement, lime, and other dry, fluffy materials. Vent holes in the bottom of each bucket release trapped air in filling and allow material to empty from bucket quickly and completely on discharge. In addition to reinforcing lips, hooded backs reinforce "AC" Style Buckets. This feature permits closer bucket spacing and provides 30% greater carrying capacity than other bucket styles of the same length. These sturdy buckets have an extra thickness of metal at wear points for longer service. Available in Allied-Locke Malleable and Allied-Locke Promal.

Style "AC" Buckets are usually used with heavy duty engineering chain such as Bushed Steel Chain with K2 and K3 style attachments.

Capacities are for buckets filled to either line XX or YY (see diagram). The practical operating capacity will vary with loading conditions, angle of repose of the material being handled, and the inclination of the elevator.



6°
AIR ESCAPE HOLES

ORDERING AND APPLICATION DATA

A-L BUCKET NO.	DIMENSIONS IN DECIMAL INCHES						CAPACITY IN CUBIC FEET		APPROXIMATE WEIGHT LBS.
	LENGTH	PROJECTION	DEPTH	WALL THICKNESS			At X X (working)	At Y Y (full)	
				THICKNESS A	THICKNESS B	THICKNESS C			
12X8-AC	12	8	8.5	0.44	0.22	0.38	.21	.28	30.5
16X8-AC	16	8	8.5	0.44	0.22	0.38	.28	.38	38.5
18X10-AC	18	10	10.5	0.50	0.25	0.44	.49	.62	52.0
24X10-AC	24	10	10.5	0.38	0.25	0.44	.85	.74	72.0



STYLE "MD" BUCKETS FOR BELT ELEVATORS

ALLIED-LOCKE INDUSTRIES



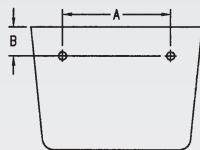
BUCKET PUNCHING FOR BELT ELEVATORS

Allied-Locke Buckets may be adapted for belt elevator applications as well as for chain elevators. Punchings for belt applications are in accordance with manufacturers' standards. The five punching styles offered by Allied-Locke are illustrated in the following diagrams and punching dimensions appear under appropriate style headings in the punching table.

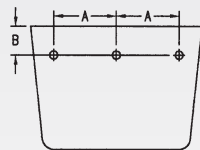
The following application guidelines may apply to determine width of belts, length of bolts, and diameter of bolts and washers.

1. Width of Belt
Bucket length + 1" for buckets up to 16" long;
Bucket length + 2" for buckets 16" long and over.
2. Length of Bolts
4-ply belts take 0.75" bolt length;
5-and 6-ply belts take 1.00" bolt length;
8-ply belts take 1.25" bolt length.
3. Bolt and Washer Diameters:
Use 0.25" bolts and 0.25" leather washers for up to 10" bucket length;
Use 0.31" bolts and 0.31" leather washers for 10" bucket length and up.

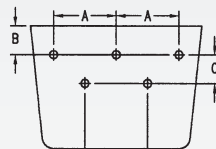
Style "MD"



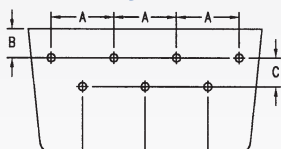
Style 7



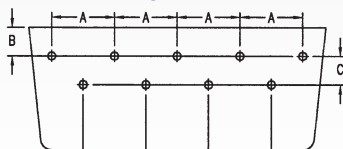
Style 8



Style 9



Style 10



Style 11

The punching dimensions below are manufacturers' standards and **APPLY TO PUNCHING STYLES LISTED IN THE AVAILABLE BUCKET LENGTHS:**

BUCKET LENGTH	A	B	C
PUNCHING STYLE 7 IN INCHES			
3	1.38	0.75	—
4	2.31	0.75	—
5	3.19	1.00	—
6	4.38	1.00	—
PUNCHING STYLE 8 IN INCHES			
7	2.50	1.00	—
PUNCHING STYLE 9 IN INCHES			
8	3.00	0.88	1.00
9	3.00	0.88	1.00
10	3.50	0.88	1.00
11	4.00	0.88	1.00
12	4.50	0.88	1.00
PUNCHING STYLE 10 IN INCHES			
13	3.50	0.88	1.00
14	4.00	0.88	1.00
15	4.00	0.88	1.00
16	4.50	0.88	1.00
17	4.50	0.88	1.00
18	5.00	0.88	1.00
PUNCHING STYLE 11 IN INCHES			
19	4.00	0.88	1.00
20	4.00	0.88	1.00
21	4.50	0.88	1.00
22	4.50	0.88	1.00
23	5.00	0.88	1.00
24	5.00	0.88	1.00





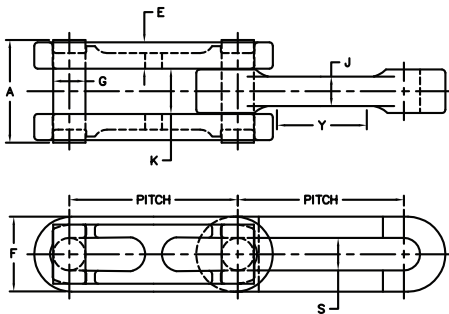
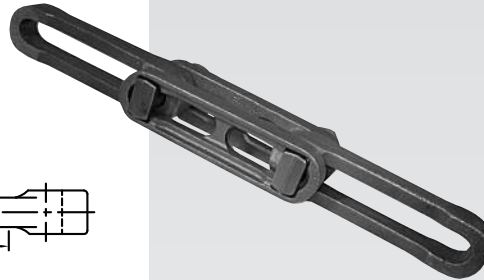
**ALLIED-LOCKE
INDUSTRIES**

CAST MANGANESE STEEL RIVETLESS CHAIN

Cast Manganese Steel
Rivetless Chain
with Attachments

PLAIN CHAIN

For Coal Preparation and
Sliding Chain Applications



11%-14% Manganese Steel . . .
Manganese Steel work hardens to
provide greater wear life in coal
processing applications.

27% Greater Surface Contact Area...
Compared to drop forged rivetless
chain.

2% chrome to resist corrosion.

DIMENSIONS (INCHES) AND WEIGHTS

ALLIED-LOCKE CHAIN NUMBER	ALLIED-LOCKE PART NUMBER	APPROX. LINKS IN 10 FT.	AVG. PITCH INCHES	RECOM. WORKING LOAD LBS.	WIDTH OVERALL A	HEIGHT OF SIDEBAR F	SIDEBAR THICKNESS E	DIAMETER OF PIN G	WIDTH OF LINK J	BETWEEN SIDEBARS K	OPENING IN LINK S	LENGTH OF FLAT ON LINK Y	WEIGHT PER FOOT, LBS.
678	29001	20	6.031	8,500	3.187	2.062	.812	.875	.937	1.375	.937	3.781	7.5
698	29002	20	6.031	13,000	3.875	2.687	.937	1.125	1.062	1.625	1.250	3.656	13.5
998	29003	13 ¹ / ₃	9.031	13,000	3.875	2.687	.937	1.125	1.062	1.625	1.250	6.187	10.5
9118	29004	13 ¹ / ₃	9.031	22,000	4.875	3.125	1.312	1.375	1.375	2.062	1.500	6.187	17.5

NOTE: Dimensions subject to change. Certified dimensions of ordered material furnished on request.

CHAIN ATTACHMENTS

Allied-Locke provides the most complete line of attachments for the Rivetless Chain.
Coupler pins for simplifying installation are also available.

EXTENDED PINS

**D1, D2, D3, D4, D5,
D6, D7, D8, D9, D10, D11**

	678			698			998			9118	
	D4	D5	D6	D7	D8	D9	D7	D8	D9	D10	D11
G (Diameter)	.875	.875	.750	.750	.875	1.125	.750	.875	1.125	.750	1.375
L (Length)	1.500	2.000	1.875	1.500	1.750	1.750	1.500	1.750	1.750	2.000	2.000
Wgt. (Lbs.)	1.0	1.1	1.1	1.5	1.7	2.0	1.5	1.7	2.0	2.9	3.6

Extended pins can be furnished (a) plain; (b) plain, with hole and cotter; (c) threaded with endhole, cotter, and castle nut. Extended lengths listed are maximum: shorter lengths (by cutting off) can be furnished at slight additional charge. D1 thru D11 listed above are threaded national course thread supplied with lock washer and heavy hex nut.

Segmental sprockets are available with cast manganese steel teeth and cast or fabricated steel bodies.

Teeth can easily be replaced without removing the chain from sprockets.



800-435-7752

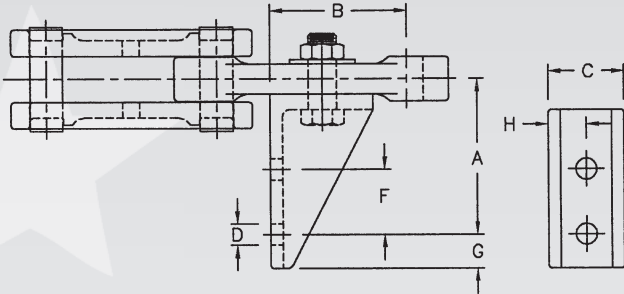
www.alliedlocke.com

800-462-3130



CAST MANGANESE STEEL RIVETLESS CHAIN

**ALLIED-LOCKE
INDUSTRIES**



S22

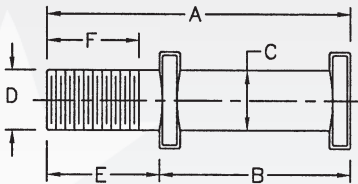
ALLIED-LOCKE CHAIN NUMBER	ALLIED-LOCKE PART NUMBER	A	D*	F	H	B	C	T	WEIGHT EA., LBS.
S22 STYLE 1									
678	29001	2 ³¹ / ₃₂	5/8	1 ¹³ / ₁₆	4 ¹⁵ / ₁₆	4 ¹¹ / ₁₆	4 ¹ / ₁₆	5/16	4.7**§
698	29002	3 ⁹ / ₃₂	3/4	2 ³ / ₈	6 ⁵ / ₈	4 ¹ / ₄	5 ³ / ₈	1/2	9.8**§
998	29003	3 ⁹ / ₃₂	3/4	2 ³ / ₈	6 ⁷ / ₈	7 ¹ / ₄	5 ³ / ₈	3/8	11.3**§

*Indicates diameter of bolt; all holes are round and straight.

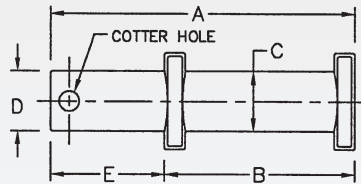
**Including bolts.

§Including filler block.

Style 1



Style 2



EXTENDED PINS

CHAIN NO.	PIN STYLE	WT. EA. LBS.	A	B	C	D	E	F
678	1	1.0	4 ¹¹ / ₁₆	3 ³ / ₁₆	7/8	7/8	1 ¹ / ₂	1 ¹ / ₄
678	1	1.1	5 ³ / ₁₆	3 ³ / ₁₆	7/8	7/8	2	1 ³ / ₄
678	1	1.1	5 ¹ / ₁₆	3 ³ / ₁₆	7/8	3/4	1 ⁷ / ₈	1 ¹ / ₂
678	2	1.0	4 ¹¹ / ₁₆	3 ³ / ₁₆	7/8	7/8	1 ¹ / ₂	—
678	2	1.1	5 ³ / ₁₆	3 ³ / ₁₆	7/8	7/8	2	—
678	2	1.1	5 ¹ / ₁₆	3 ³ / ₁₆	7/8	3/4	1 ⁷ / ₈	—
698 & 998	1	1.5	5 ³ / ₈	3 ⁷ / ₈	1 ¹ / ₈	3/4	1 ¹ / ₂	1
698 & 998	1	1.7	5 ⁵ / ₈	3 ⁷ / ₈	1 ¹ / ₈	7/8	1 ³ / ₄	1 ¹ / ₄
698 & 998	1	2.0	5 ⁵ / ₈	3 ⁷ / ₈	1 ¹ / ₈	1 ¹ / ₈	1 ³ / ₄	1 ¹ / ₄





ALLIED-LOCKE
INDUSTRIES

CAST STEEL DRAG CHAIN

For Use In Cement Manufacturing, Hot Lime & Bulk Material Applications



Allied-Locke's cast Wing Link is the result of years of chain design, manufacturing and application experience. Our plow shaped barrel, wings and sidebars and our "T" head induction hardened pin are a first in chain design.

In 1997, Allied-Locke Industries acquired Sheldon Engineering and Manufacturing, Inc.'s cast steel product line, which has been in operation since 1983. Sheldon acquired a line of steel drag chain from Rexnord, Inc. in 1983. Included in this product line are Portec, Kensington, Taylor-Wharton and Janes Mfg. chain product lines with a history that dates back many decades.

Plow Shape Design . . .

The complete link including the barrel, wings, and sidebars are plow-shaped for improved material handling efficiency.

Longer Pin Life . . .

"Induction Hardened" pins are furnished for increased wear life. Sidebar lugs protect the pin against abrasion and lock the pin into place to prevent pin rotation.

Hardsurfacing—Available . . .

Critical sliding surfaces on both sides of Wing Link are hardsurfaced for additional wear life.

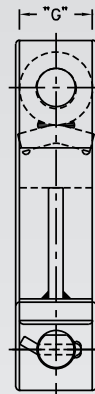
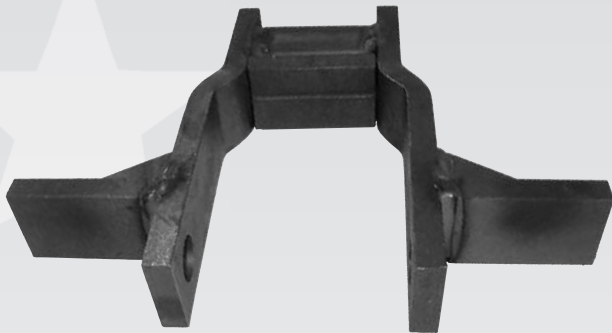
The Industry's Most Complete Line . . .

Allied-Locke manufactures Cast links as well as a variety of steel, such as Alloy, Manganese, Carbon and Stainless.

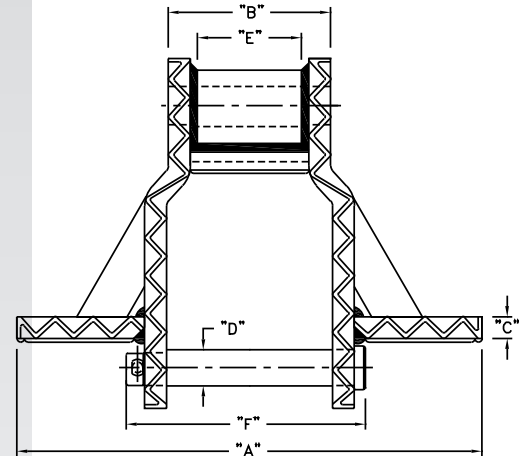


FABRICATED STEEL DRAG CHAIN

**ALLIED-LOCKE
INDUSTRIES**



DIRECTION
OF TRAVEL



DIMENSIONS (INCHES) AND WEIGHTS (POUNDS)

Heavy duty welded Steel drag chains for your most abrasive applications. All components heat-treated.

Induction Hardened Pins

High Interference fits on pins to insure pins will not rotate.

Hard surface welding to greatly extend the life of the chains sliding surfaces and digging edges.

Square edges provide optimum chain conveying.

ALLIED-LOCKE CAST STEEL CHAIN NUMBER	ALLIED-LOCKE FABRICATED CHAIN NUMBER	RECOM. PITCH IN INCHES	WORKING LOAD LBS.	LENGTH PIN LENGTH F	ALLOW OF BEARING B	MAX. AND SPROCKET FACE E	WING SIDEBAR THICKNESS C	SIDEBAR HEIGHT G	PIN DIA. D	A
S5157	WHX5157	6.050	18,200	6.94	4.63	2.75	.63	2.50	1.13	8 10 12 14
S5121 & S6121	WHX5121 & WHX6121	9.000	27,600	9.75	6.31	3.62	1.12	2.50	1.25	10 12 14 16 18 20 22 24 26 28 30
S6067	WHX6067	9.000	24,320	8.12	5.56	3.62	.75	2.50	1.25	10 12 14 16 18 20 22 24 26

NOTE: Dimensions subject to change. Certified dimensions of ordered material furnished on request.

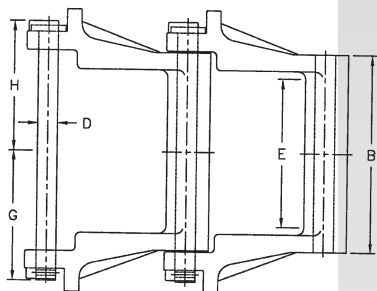
• For Temperatures exceeding 1000° F, consult with Allied-Locke



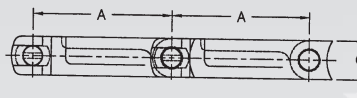


**ALLIED-LOCKE
INDUSTRIES**

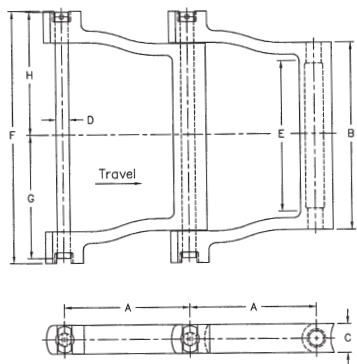
CAST ALLOY DRAG CHAIN



SD TYPE

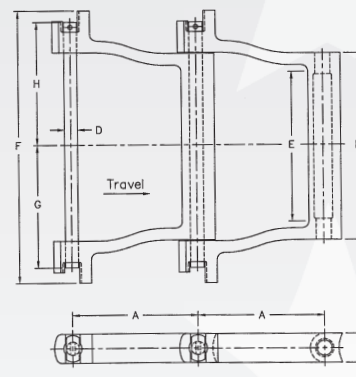


CHAIN NO.	PITCH IN INCHES A	AVER. WEIGHT PER FT. IN LBS.	WT. PER PIN	AVERAGE ULTIMATE STRENGTH IN LBS.	RECOM. WORKING LOAD IN LBS.	DIMENSIONS IN INCHES						
						BARREL LENGTH B	SIDE BAR WIDTH C	PIN DIA. D	MAX. SPRKT. WIDTH E	MAX. O.A. WIDTH F	PIN HEAD TO ϕ G	PIN END TO ϕ H
SD21	9.000	46.8	6.0	182,300	23,400	12 ⁷ / ₁₆	2 ¹ / ₂	1 ¹ / ₄	9 ¹ / ₂	—	8 ³ / ₁₆	8 ⁵ / ₁₆
SD23	9.000	41.8	4.2	172,800	23,400	8 ⁷ / ₁₆	2 ¹ / ₂	1 ¹ / ₄	5 ³ / ₄	—	6	6
SD27	9.000	30.7	2.9	160,500	20,100	6 ⁷ / ₈	2 ¹ / ₂	1 ¹ / ₈	4 ¹ / ₄	—	4 ¹³ / ₁₆	5 ¹ / ₁₆
SD28	9.000	26.0	2.8	139,400	17,600	12 ¹³ / ₁₆	2 ¹ / ₈	7 ⁷ / ₈	10 ¹ / ₈	—	8	8 ¹ / ₈
SD29	9.000	20.8	2.5	139,400	17,600	8 ¹³ / ₁₆	2 ¹ / ₈	7 ⁷ / ₈	6 ¹ / ₄	—	6	6 ¹ / ₈



Style 1

HD TYPE



Style 2

CHAIN NO.	STYLE NO.	PITCH IN INCHES A	AVER. WEIGHT PER FT. IN LBS.	WT. PER PIN	AVERAGE ULTIMATE STRENGTH IN LBS.	RECOM. WORKING LOAD IN LBS.	DIMENSIONS IN INCHES						
							BARREL LENGTH B	SIDE BAR WIDTH C	PIN DIA. D	MAX. SPRKT. WIDTH E	MAX. O.A. WIDTH F	PIN HEAD TO ϕ G	PIN END TO ϕ H
1924	1	5.000	19.4	.9	62,000	7,800	7 ⁵ / ₈	1 ⁵ / ₈	3 ³ / ₄	6	10 ¹ / ₈	4 ¹¹ / ₁₆	5 ¹ / ₁₆
1932	1	6.000	24.2	1.0	125,900	16,000	5 ¹ / ₄	2	1	3 ³ / ₄	8	4	4
1934	2	6.000	15.2	2.0	73,850	9,300	5 ⁵ / ₁₆	1 ⁹ / ₁₆	3 ³ / ₄	4 ¹ / ₈	7 ¹ / ₂	3 ¹¹ / ₁₆	3 ¹³ / ₁₆
1952	1	9.000	27.5	2.5	211,700	26,800	5 ¹ / ₈	2 ¹ / ₂	1 ¹ / ₈	3	9	4 ¹ / ₄	4 ⁵ / ₈
1953	1	9.000	30.8	3.0	158,800	20,100	6 ⁷ / ₈	2 ¹ / ₂	1 ¹ / ₈	4 ³ / ₄	10	4 ¹³ / ₁₆	5
1955	1	9.000	36.1	3.0	185,200	23,500	8 ¹ / ₂	2 ¹ / ₂	1 ¹ / ₈	5 ³ / ₄	12	5 ²⁵ / ₃₂	5 ³¹ / ₃₂
1958	1	9.000	39.5	4.5	167,900	23,400	8 ¹ / ₂	2 ¹ / ₂	1 ¹ / ₄	5 ³ / ₄	12	5 ²⁵ / ₃₂	5 ³¹ / ₃₂
1960	1	9.000	45.9	4.3	262,600	33,300	9 ¹ / ₄	2 ¹ / ₂	1 ¹ / ₄	6 ¹ / ₂	14	6 ³ / ₄	7 ¹ / ₈
1962	1	9.000	46.8	5.9	182,300	23,400	12 ⁷ / ₁₆	2 ¹ / ₂	1 ¹ / ₄	10 ¹ / ₄	16 ³ / ₈	7 ²⁷ / ₃₂	8 ¹¹ / ₃₂
1964	1	9.000	52.2	6.0	282,000	35,700	12 ¹¹ / ₁₆	2 ¹ / ₂	1 ¹ / ₄	10	18	8 ²³ / ₃₂	9 ¹ / ₃₂
1965	2	9.000	50.1	6.0	182,300	23,400	12 ⁷ / ₁₆	2 ¹ / ₂	1 ¹ / ₄	10 ¹ / ₄	18 ³ / ₈	7 ²⁷ / ₃₂	8 ¹¹ / ₃₂
1967	2	9.000	55.5	6.0	282,000	35,700	12 ¹¹ / ₁₆	2 ¹ / ₂	1 ¹ / ₄	10	20	8 ²³ / ₃₂	9 ¹ / ₃₂
1972	1	12.000	63.2	10.0	338,700	42,900	17 ⁷ / ₈	2 ³ / ₄	1 ³ / ₈	14 ³ / ₈	24	11 ³ / ₈	11 ⁷ / ₈
1976	2	12.000	70.2	10.0	338,700	42,900	17 ⁷ / ₈	2 ³ / ₄	1 ³ / ₈	14 ³ / ₈	26	11 ³ / ₈	11 ⁷ / ₈



WASH BOX (BAR TYPE) CHAIN ATTACHMENTS

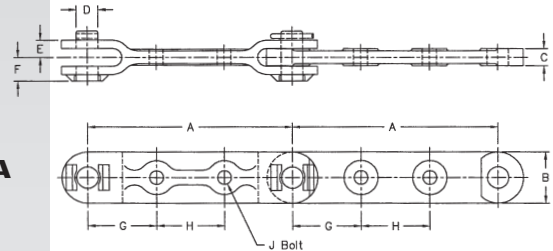
**ALLIED-LOCKE
INDUSTRIES**



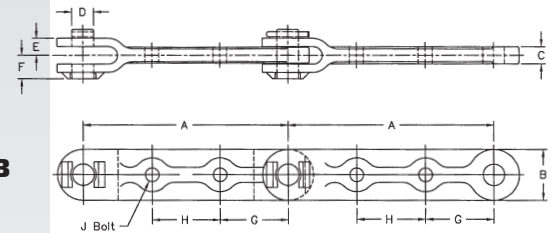
Allied-Locke Wash Box or Bar Type Chain has its primary application in coal preparation plants. This chain provides excellent service even under extensive exposure to the corrosive sulphur content found in wet coal washers. Standard male and female links with 2½ inch high side bars and 1 inch diameter T-Head pins are furnished. Special links can be specified for uses where take-up is limited and removing a pitch is advisable. This chain is also produced in a heavy-duty configuration which increases the chain height to 3 inches and the pin diameter to 1¼ inches for wash box uses requiring extra strength.



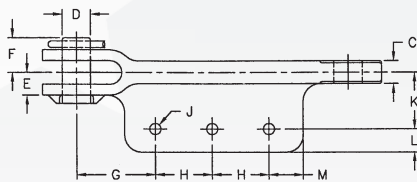
TYPE A



TYPE B



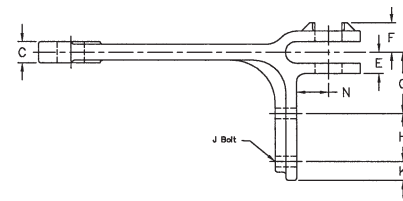
CHAIN NO.	TYPE	PITCH IN INCHES A	AVER. WEIGHT PER FT. IN LBS.	AVERAGE ULTIMATE STRENGTH IN LBS.	RECOM. WORKING LOAD IN LBS.	DIMENSIONS IN INCHES							
						BAR WIDTH B	BAR THICKN. C	PIN DIA. D	PIN END TO C E	PIN HEAD TO C F	G	H	J
5310	A	6.00	13.4	66,800	11,100	2½	15/16	1 1/8	1 3/8	1 3/8	—	—	—
5330	A	8.00	8.7	67,800	11,300	2	15/16	7/8	1 3/8	1 3/8	—	—	—
5350	A	10.31	8.5	102,400	12,100	2¼	1¼	7/8†	1 9/32	1 25/32	—	—	—
5370	A	12.00	7.6	91,100	15,200	2	15/16	7/8	1 3/8	1 3/8	—	—	—
5374	A	12.00	8.9	90,600	15,100	2½	15/16	1	1	1 3/8	4	4	5/8
5378	A	12.00	12.4	105,800	17,600	3	1	1 1/4	1	1 3/8	4	4	3/4
5410	B	12.00	9.6	115,300	19,200	2½	15/16	1	1	1 5/16	—	—	—
5430	B	12.25	11.2	105,800	17,600	2½	1¼	1¼	1 9/32	1 19/32	—	—	—



K ATTACHMENT

K AND S ATTACHMENTS

Note: Right hand shown



S ATTACHMENT

STYLE	PITCH IN INCHES A	WT. PER LINK IN LBS.	B	C	D	E	F	G	H	J	K	L	M	N
K*	12.000	13.1	2½	15/16	1	1	1 5/16	3½	2½	½	2½	1 1/32	1½	3/8
S	12.250	13.2	2½	1¼	1¼	1 9/32	1 19/32	2 7/8	2¼	½	7/8	½	1	1½

*Also available in left hand





ALLIED-LOCKE
INDUSTRIES

INDUSTRIES SERVED

Allied-Locke was established in 1965 to service the agricultural industry. Since that time, we have expanded to include all markets that require high quality chain for drive, conveyor or lifting purposes. The following pages are some of the largest markets that we service. Our facilities in the United States are growing with the needs of our customers, both new and established.

Some of our customers include:

- Agricultural Industries
- Grain Handling Facilities
- Cement Plants
- Asphalt and Paving Equipment
- Salt/ Sand Spreaders- Live Bottom Trailers
- Automotive Industries
- Sugar Mills
- Steel Mills
- Mining Applications
- Environmental & Wastewater
- Traveling Waterscreen
- Pulp and Paper Mills
- Forest Products
- Meat Packing
- Mining
- Citrus Chain
- Bakery Chain
- Cutting and Dredging

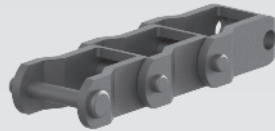


Agricultural Industries

Allied-Locke is a preferred supplier to many large OEM and aftermarket suppliers. We offer a wide range of attachments to serve our agricultural customers



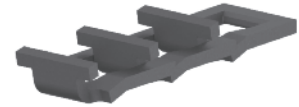
Roller Chain



Pintle



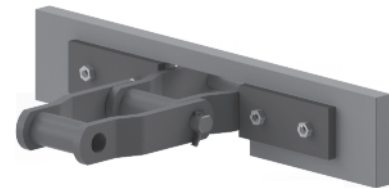
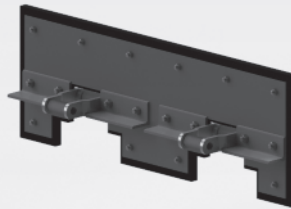
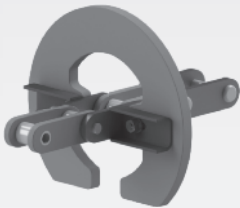
Steel Detachable



T-Bar

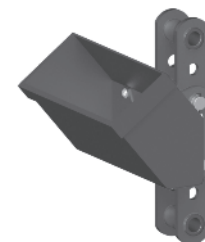
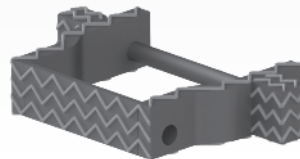
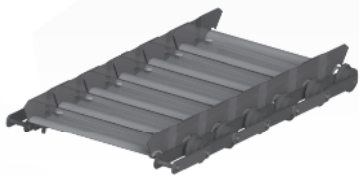
Grain Handling

- Many Types of Carbon or Stainless Steel Chains
- Single or Multiple Strands Available
- Standard Chains are Stocked in Multiple Locations for Fast Service
- Backing Plates and Flights are Made to Order



Cement Plants

- Bucket Elevator Chain
- Cast or Fabricated Buckets
- Reclaimers
- Drag Chains with Special Hardfacing Options
- Wear Blocks
- Pan Conveyors
- Sealed Joint Chains for Less Maintenance and Longer Life
- Large Girth Sprockets
- Return Rollers
- Traction Wheels



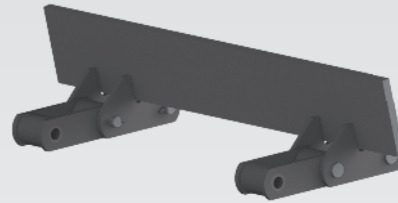


ALLIED-LOCKE
INDUSTRIES

INDUSTRIES SERVED

Asphalt Plant and Paving Equipment

- Inclined Conveyors
- Bucket Elevators
- Drive Chains
- Scraper Conveyors
- Sprockets



Salt and Sand Spreaders

- Live Bottom Trailers
- Road Salt Spreader
- OEM and Aftermarket Replacements



Automotive

Allied Locke offers quality replacement and OEM chain, sprockets and replacement parts to service the automotive industry.

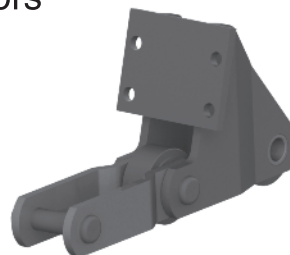
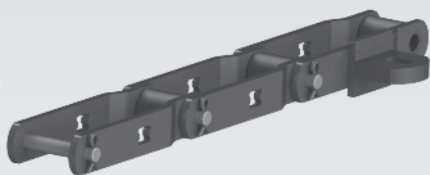


- CC5 and other industry standard chain stocked in multiple locations
- Replacement Parts Available
- Broad Range of Attachments



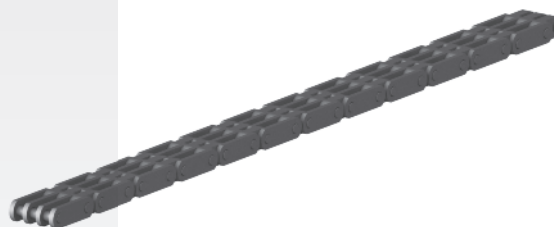
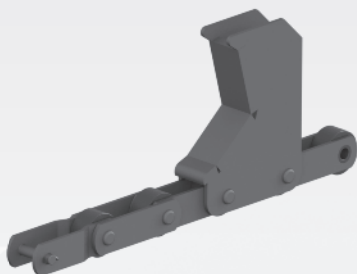
Sugar Mills

- Cane Feeders
- Wash Tables
- Grinding Mills
- Juice Strainers
- Bagasse Conveyors
- Elevators



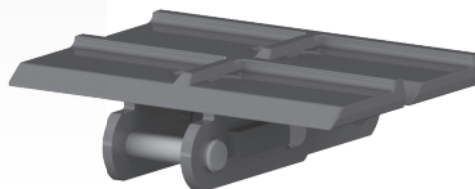
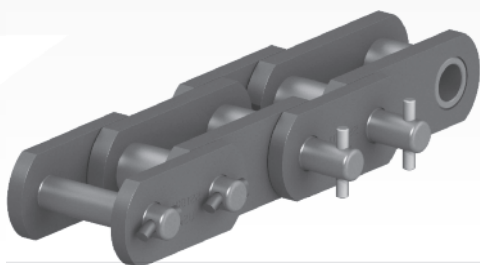
Steel Mills

- Coil Conveyors
- Gull Wing Chain
- Draw Bench Chain
- Custom Sprockets



Mining

- Washbox Chain
- Crawler Pads
- Apron Conveyors
- Haulage Chain
- Center Pull
- Feeder Breaker





Environmental Products

Chain

- Non Metallic
- Stainless Steel
- Malleable Iron

Flights

- Standard Fiberglass
- Heavy Duty Fiberglass
- Laminated Wood

Wear Shoes

- Steel
- UHMW
- Nylon
- Polyurethane
- Replaceable Inserts

Additional Products Available:

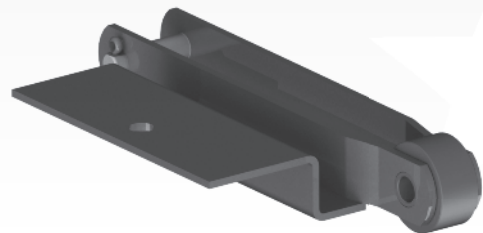
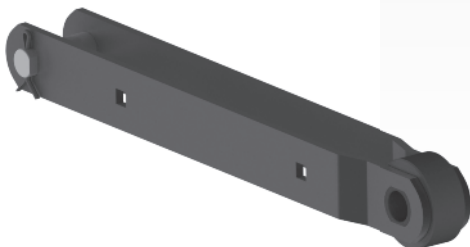
- Sprockets
 - Cast
 - Non-metallic
 - Combination
- Wall Bearings



- Grating
- Return Rails
- Filler Blocks
- Weirs
- Baffles
- Scum Skimmers
- Anchor Plates
- Pillow Block Bearings
- Stainless Hardware

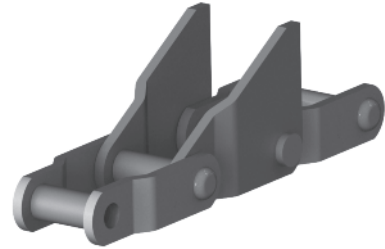
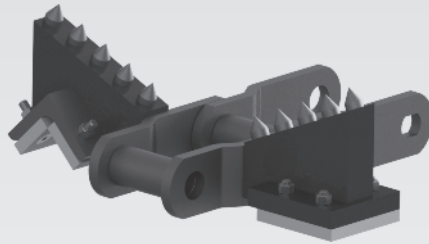
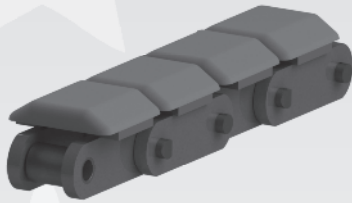
Traveling Waterscreen

- 12-24" Pitch Chains Standard
- Custom Materials as Needed
- All Standard Attachments Available
- Lube Pins
- Custom Finishes



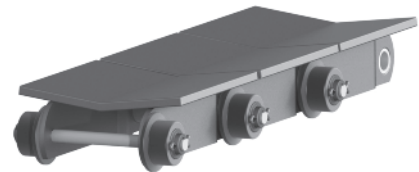
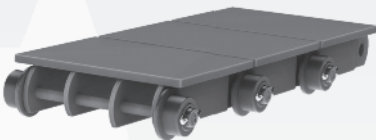
Forest Products

- Heavy Duty Construction
- Induction Hardened Pins Available
- High Strength Alloys Available
- Cast and Fabricated Chains
- Large Variety of Attachments
- Direct ESCO Replacements



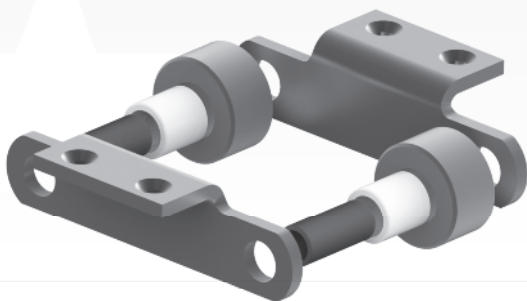
Paper Mill

- Flat Top
- V-Top
- Gull Wing
- Apron Conveyors
- Slanted Top
- Saddle Top
- Carousel
- Replacement Parts



Meat Packing

- Case Hardened Pin and Roller
- Galvanized Pin, Roller and Sidebars
- Heat Treated, Stainless Bushings
- Nylon Bushing Insert
- No Lubrication Required



(See page 79 for attachment details on MSR3520 & MSR6272-K2)

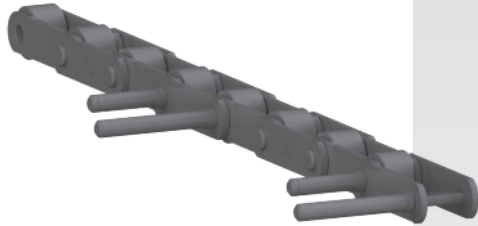


ALLIED-LOCKE
INDUSTRIES

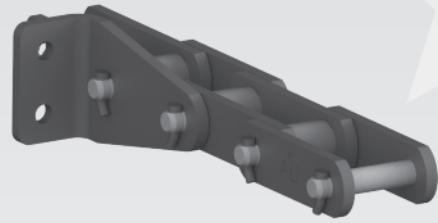
INDUSTRIES SERVED

Citrus Chain

- D-5 Attachments Available
- G Attachments Available

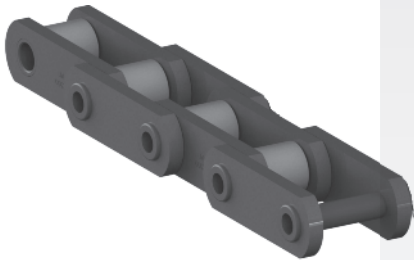


- Heat Treated for Extra Strength
- All Materials and Finishes

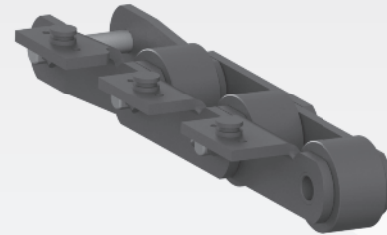


Bakery Chain

- High Temp Oven Chain
- Hollow Pin Available

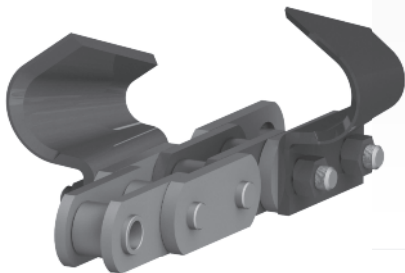


- Lube Free Designs Available
- Multiple Strands Available

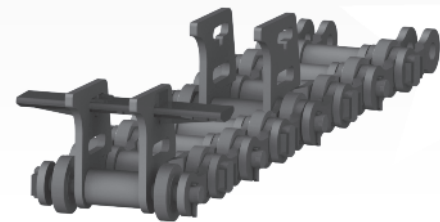


Cutting and Dredging

- Custom Materials
- For Heavy Duty Earth Moving Applications



- Hardfacing
- Fabricated Solutions
- OEM and Aftermarket Replacements



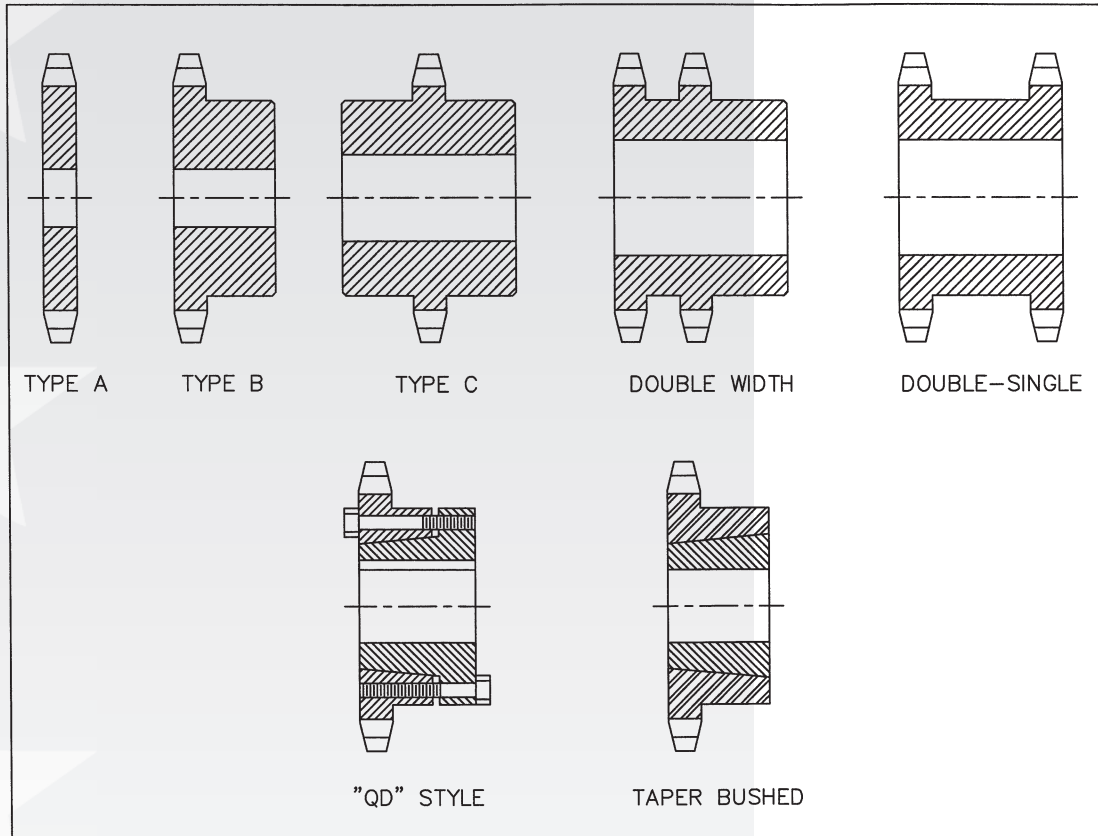
PRECISION ROLLER CHAIN SPROCKETS

ALLIED-LOCKE
INDUSTRIES



MADE TO ORDER SPROCKETS - SIZES 120-240 - SINGLE OR MULTIPLE STRAND

Made to order sprockets for Precision Roller Chain, fabricated to customer specifications, at the Allied Locke's manufacturing facilities.



- SPROCKET SIZES AVAILABLE FOR ALL STANDARD PITCHES OF ROLLER CHAIN UP TO 240.
- TEETH CAN BE TREATED BY INDUCTION HARDENING PROCESS.
- BLACK OXIDE FINISH AND PLATING AVAILABLE UPON REQUEST. SPROCKETS CAN BE STAMPED WITH PART NUMBERS.
- ALL SPROCKETS MANUFACTURED TO THE ANSI B29.1 STANDARD USING THE HIGHEST QUALITY CONTROL PROCEDURES.

LET US QUOTE ON YOUR REQUIREMENTS

- MADE TO ORDER SPROCKETS AVAILABLE TO YOUR SPECIFICATIONS.
- FLEXIBLE COUPLINGS, SLEEVE COUPLINGS, IDLERS & EXTENDED PITCH ALSO AVAILABLE.





Allied-Locke Makes and supplies sprockets and traction wheels for the chains that we make. We specialize in:

- Plate Center
- Spoked Arm
- Chain Saver
- Girth Sprockets
- Hunting Tooth
- Segmental Rim
- Wide Flange
- Traction Wheels

CHARACTERISTIC OR FEATURE	STANDARD	SPECIAL
Split Construction	Not Standard	All split sprockets
Hub Type	Four types: A B C C Offset	
Keyseating	Standard keyway as specified in table "Standard Keyways and Setscrews" (page 142)	1) Extra Keyseat 2) Keyseating in definite location 3) Keyseating in line or in pairs
Setscrews	One pair furnished	More than one pair
Boring	Up to and including the standard bore sizes that are listed in the sprocket tables. Tolerances are maintained as per the Table of Standard Bore Tolerances.	1) Oversize bores 2) Core-to-bore
Machine Facing Hubs	One side if keywayed Both sides if plain bored.	Machine facing hubs to exact dimensions
Shear Pin Hubs All shear pin hubs	Not Standard	
Bronze Bushings	Not Standard	All bronze bushings

Please see page 143 for a guide to help when placing an order or getting a quote for sprockets.



SPROCKET FEATURES

PLATE CENTER SPROCKETS

Sprockets are furnished in two basic types . . . Plate center and Spoked Arm. Plate centers are generally used on smaller sprockets whose size prohibits the use of spoked arms and on drives and conveyors which are subjected to frequent shock loads. They are also used when the maximum allowable chain pull is greater than that which Spoked Arm Sprockets can withstand.

SPOKED ARM SPROCKETS

Spoked arms are found on large diameter sprockets. They are used to reduce weight and facilitate handling. Lightening holes can also be utilized to reduce weight.

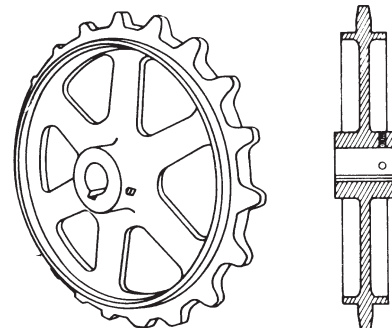
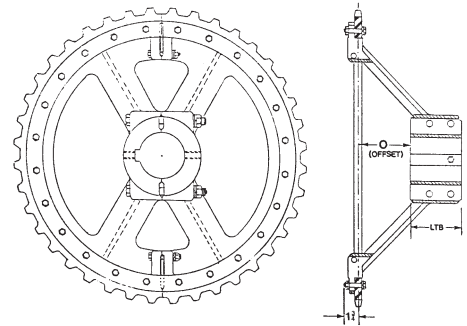
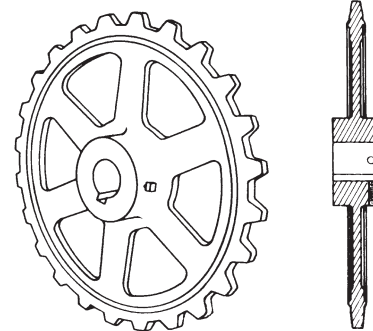
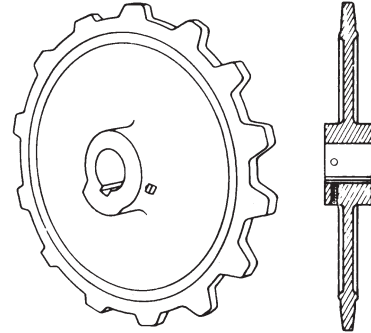
CHILLED RIM DISHED AND FABRICATED DISHED

When producing cast sprockets, we use a special chemistry of gray iron that enhances the ability of the iron to form a hard "chilled" layer on the rim of the sprocket. All sprockets are a typical class 30 gray iron. This applies to all areas of the sprocket that are not chilled such as the hub and web areas. Surfaces have a minimum brinell hardness of 400 over the entire tooth profile.

Fabricated dishd sprockets are made to order. Materials and hardness are customized to your requirements.

CHAIN SAVER SPROCKETS

Chain Saver sprockets give added life to chain because of the special flange construction on the rim. The chain side bars rest on the flange as chain wraps around the sprocket, keeping the chain on the true pitch line and distributing wear over a greater contact area.

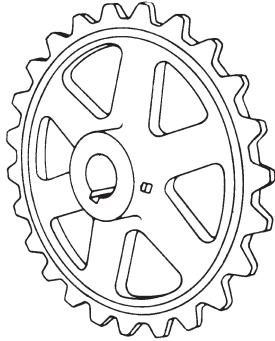




SPROCKET FEATURES

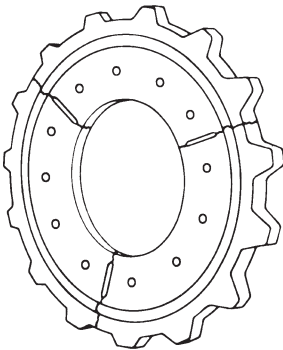
HUNTING TOOTH SPROCKETS

Hunting Tooth Sprockets last longer than ordinary sprockets and operate on this principle: Hunting Tooth Sprockets have an odd number of teeth and are half the pitch of the chain. Thus, every time the sprocket makes a revolution, the chain links engage a new set of teeth, forward of the previously engaged set. Each tooth makes contact with the chain only half as many times as it would on a regular sprocket, thus doubling the life of the sprocket.



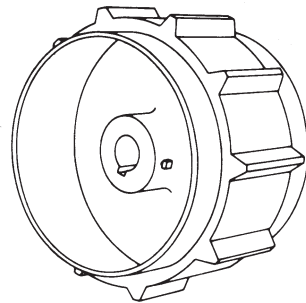
SEGMENTAL RIM SPROCKETS

Segmental Rim Sprockets are designed to eliminate costly shut down time during installation and adjustment. They consist of a removable segmented rim and a solid or split body which are bolted together. To obtain extra wear from this type sprocket, after considerable use, the rim sections may be simply reversed, so that the chain makes contact with the opposite sides of the teeth. Bodies or entire sprockets may be replaced without removing shaft or bearings, making this type of sprocket very desirable economically because of the savings in labor and shut-down time.



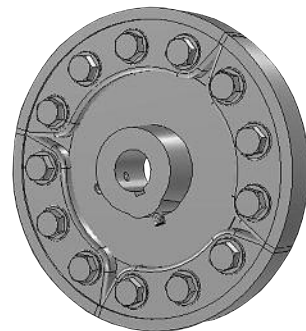
WIDE FLANGE SPROCKETS

These Sprockets are used in many industries such as the lumber and paper industries as sprockets for the delivery end of conveyors. The wide flange or side extension acts as a guard and helps keep material from being wasted as it comes off the end of the conveyor.



TRACTION WHEELS

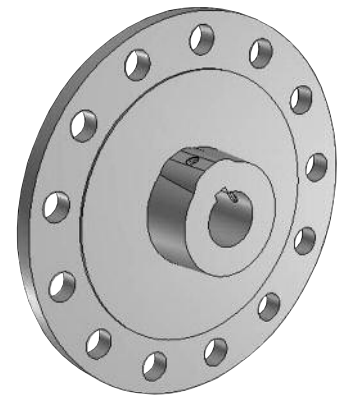
Traction wheels are available in a wide range of sizes and types to fit most chains. They are furnished in a plate-center style with optional lightening holes if required. Traction wheels can be either solid, split or segmented construction.



SPROCKET HUB TABLE

HUB NO.	BORE DIAMETER		MAX HUB. LENGTH IN INCHES	WEIGHT IN LBS.	HUB NO.	BORE DIAMETER		MAX HUB. LENGTH IN INCHES	WEIGHT IN LBS.
	MAX.	MIN.				MAX.	MIN.		
1	2 ⁷ / ₁₆	1 ¹⁵ / ₁₆	5	21	26	3 ³ / ₄	3 ¹ / ₄	5	90
2	2 ⁷ / ₁₆	1 ¹⁵ / ₁₆	4	19	27	4 ⁷ / ₁₆	2 ¹⁵ / ₁₆	7	100
3	2 ⁷ / ₁₆	1 ¹⁵ / ₁₆	4	24	28	3 ⁷ / ₁₆	2 ¹⁵ / ₁₆	5 ¹ / ₄	100
4	1 ¹⁵ / ₁₆	1 ⁷ / ₁₆	4	23	29	4	2 ¹⁵ / ₁₆	5	103
5	2 ³ / ₁₆	3 ¹⁵ / ₁₆	6 ¹ / ₂	42	30	6 ¹⁵ / ₁₆	2 ⁷ / ₁₆	10	190
6	2 ¹⁵ / ₁₆	2 ¹⁵ / ₁₆	8	100	31	3 ¹ / ₂	2 ¹⁵ / ₁₆	7	160
7	3 ¹ / ₄	2 ¹ / ₄	5	43	32	4 ⁷ / ₁₆	3 ⁷ / ₁₆	7 ³ / ₈	147
8	4 ⁷ / ₁₆	2 ¹⁵ / ₁₆	6	85	33	3 ¹⁵ / ₁₆	3 ⁷ / ₁₆	6 ¹ / ₂	120
9	3 ⁷ / ₁₆	1 ⁷ / ₁₆	4 ¹ / ₂	42	34	2 ¹⁵ / ₁₆	2 ⁷ / ₁₆	4 ¹ / ₄	75
10	4 ⁷ / ₁₆	1 ¹⁵ / ₁₆	6	94	35	4 ¹⁵ / ₁₆	2 ¹⁵ / ₁₆	6 ¹ / ₂	124
11	2 ¹⁵ / ₁₆	2 ⁵ / ₁₆	5 ¹ / ₂	40	36	6 ¹ / ₂	2 ⁷ / ₁₆	10	188
11S	3 ¹⁵ / ₁₆	3 ⁷ / ₁₆	7 ⁵ / ₈	70	36S	8	7 ³ / ₄	10	340
12	2 ⁷ / ₁₆	2 ³ / ₁₆	4 ¹ / ₄	41	37	5 ¹⁵ / ₁₆	1 ⁷ / ₈	10	265
13	4 ¹⁵ / ₁₆	2 ⁷ / ₁₆	7	75	38	5 ⁷ / ₁₆	3 ⁷ / ₁₆	7 ¹ / ₂	202
14	5 ⁷ / ₁₆	5	9	116	39	6 ¹⁵ / ₁₆	6 ³ / ₄	10	280
15	2 ¹⁵ / ₁₆	2 ³ / ₁₆	5	54	40	4 ¹⁵ / ₁₆	2 ¹⁵ / ₁₆	6	160
15S	3 ⁷ / ₁₆	2 ¹⁵ / ₁₆	6 ¹ / ₂	75	41	4 ¹⁵ / ₁₆	2 ⁷ / ₁₆	7 ¹ / ₂	183
16S	2 ¹⁵ / ₁₆	2 ⁷ / ₁₆	6 ¹ / ₂	85	42	5 ¹⁵ / ₁₆	1 ⁵ / ₁₆	10	238
17	3	2 ¹ / ₄	4 ³ / ₄	68	43	7 ¹ / ₂	2 ⁷ / ₁₆	7	200
18	4 ⁷ / ₁₆	2 ⁷ / ₁₆	5	78	44	8	2 ⁷ / ₁₆	10	360
19	6 ¹⁵ / ₁₆	2 ⁷ / ₁₆	8	110	45	6 ¹⁵ / ₁₆	5 ¹⁵ / ₁₆	7	260
19S	4 ¹ / ₄	3 ³ / ₄	6	146	46	6 ¹ / ₂	4 ³ / ₄	6	220
20	3 ¹ / ₂	2 ⁷ / ₁₆	5 ¹ / ₂	89	47	5 ¹⁵ / ₁₆	5 ⁷ / ₁₆	9	270
21	4 ⁷ / ₁₆	3 ¹⁵ / ₁₆	6	71	48	6 ¹ / ₂	3 ¹⁵ / ₁₆	6 ¹ / ₂	280
22	3 ¹⁵ / ₁₆	2 ⁷ / ₁₆	6 ¹ / ₂	90	49	6	5 ³ / ₄	7	310
23	5 ¹ / ₄	1 ¹⁵ / ₁₆	7 ¹ / ₂	125	50	5 ⁷ / ₁₆	4 ¹⁵ / ₁₆	8	260
23S	6	5 ¹ / ₂	8	140	51	5 ⁷ / ₁₆	4 ⁷ / ₁₆	10	325
24	6 ¹⁵ / ₁₆	1 ¹⁵ / ₁₆	9	150	52	5 ⁷ / ₁₆	3 ¹⁵ / ₁₆	8	315
24S	3 ⁷ / ₁₆	3	5	95	53	5 ¹⁵ / ₁₆	2 ¹⁵ / ₁₆	8	390
25	5 ¹⁵ / ₁₆	2 ⁷ / ₁₆	8	135	54	3 ¹⁵ / ₁₆	3 ⁷ / ₁₆	6	133
					55	7 ¹ / ₂	2 ¹⁵ / ₁₆	7	185

Allied-Locke manufactures hubs for cast or fabricated sprockets and traction wheels.



STANDARD KEYWAYS AND SETSCREWS

Diameter of Shaft	Keyseat		Diameter of set screw
	Width	Depth	
1/2-9/16	1/8	1/16	1/4
5/8-7/8	3/16	3/32	1/4
15/16-7/8	1/4	1/8	5/16
15/16-13/8	5/16	5/32	5/16
17/16-13/4	3/8	3/16	3/8
113/16-21/4	1/2	1/4	1/2
25/16-23/4	5/8	5/16	5/8
213/16-31/4	3/4	3/8	3/4
35/16-33/4	7/8	7/16	3/4
313/16-41/2	1	1/2	3/4
49/16-51/2	11/4	5/8	3/4
59/16-61/2	11/2	3/4	1
69/16-71/2	13/4	7/8	1
79/16-815/16	2	3/4	1
9-1015/16	21/2	7/8	1

Listed here are the standard keyway and set screw size recommendations, based on shaft size.



Sprocket Order Information

Please fill out all available information

Date: _____

Company Name: _____
Address: _____

Contact Name: _____
Phone: _____
Email: _____



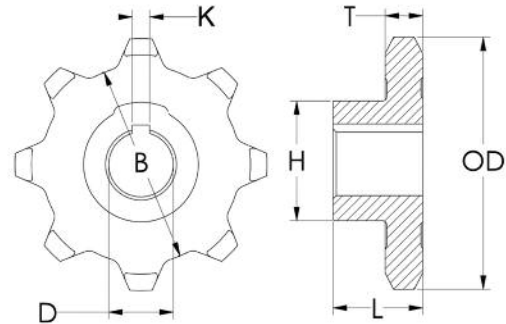
Type A
No Hub



Type B
Hub 1 Side



Type C
Hub 2 Sides



Is this a Waste Water Application? NO YES

Spkt. Quantity: _____

Chain Number: _____

Chain Pitch: _____

S/B Height: _____

Sprocket Mat'l: _____

Heat Treatment: _____

Teeth: _____

Hub Type: _____

Keyway: _____

Setscrew: _____

Bore Type: _____

Split Sprocket: NO YES

Segmented: NO YES

Sprocket Dimensions

Please Use 2 or 3-Place Decimal Inches
(example: 12.50 or 12.500)

T: _____ Plate Thickness

OD: _____ Outer Diameter

B: _____ Root (Bottom) Diameter

H: _____ Hub Diameter

L: _____ Length Thru Bore

D: _____ Bore Size

K: _____ Keyway Size

Notes:

Allied-Locke Industries, INC.

Phone: 800.435.7752
Fax: 800.462.3130



PRODUCT INDEX

ALLIED-LOCKE
INDUSTRIES



CHAIN #	PITCH	TYPE OF CHAIN	PAGE #
S	2.906	Steel Detachable	51
04B	0.236	Metric Roller Chain	10
CC5	6.000	Elevator & Conveyor	72
05B	0.315	Metric Roller Chain	10
06B	0.375	Metric Roller Chain	10
06B-1 NP	0.375	Metric Roller Chain-Nickle Plated	23
06B-2	0.375	Metric Roller Chain	10
06B-3	0.375	Metric Roller Chain	10
08B	0.500	Metric Roller Chain	10
08B-1 NP	0.500	Metric Roller Chain-Nickle Plated	23
08B-S	0.500	Metric Roller Chain-Super Series	9
08B-2	0.500	Metric Roller Chain	10
08B-3	0.500	Metric Roller Chain	10
10B	0.625	Metric Roller Chain	10
10B-1 NP	0.625	Metric Roller Chain-Nickle Plated	23
10B-S	0.625	Metric Roller Chain-Super Series	9
10B-2	0.625	Metric Roller Chain	10
10B-3	0.625	Metric Roller Chain	10
12B	0.750	Metric Roller Chain	10
12B-1 NP	0.750	Metric Roller Chain-Nickle Plated	23
12B-S	0.750	Metric Roller Chain-Super Series	9
12B-2	0.750	Metric Roller Chain	10
12B-3	0.750	Metric Roller Chain	10
16B	1.000	Metric Roller Chain	10
16B-S	1.000	Metric Roller Chain-Super Series	9
16B-2	1.000	Metric Roller Chain	10
16B-3	1.000	Metric Roller Chain	10
20B	1.250	Metric Roller Chain	10
20B-S	1.250	Metric Roller Chain -Super Series	9
20B-2	1.250	Metric Roller Chain	10
20B-3	1.250	Metric Roller Chain	10
SD21	9.000	Cast Alloy Drag Chain	128
SD23	9.000	Cast Alloy Drag Chain	128
24B	1.500	Metric Roller Chain	10
24B-S	1.500	Metric Roller Chain-Super Series	9
24BSH	1.500	Metric Roller Chain-Super Heavy Series	9
24B-2	1.500	Metric Roller Chain	10
25	0.904	Steel Detachable	51
25	0.250	Precision Roller	3
25NP	0.250	Chain Nickel Plated	23
28B-S	1.750	Metric Roller Chain-Super Series	9
28BSH	1.750	Metric Roller Chain-Super Heavy Series	9
25SS	0.250	Stainless Steel	24
SD27	9.000	Cast Alloy Drag Chain	128
SD28	9.000	Cast Alloy Drag Chain	128
SD29	9.000	Cast Alloy Drag Chain	128
32	1.157	Steel Detachable	51
32B-S	2.000	Metric Roller Chain-Super Series	9
32B	2.000	Metric Roller Chain	10
32W	1.157	Steel Detachable	51
33	1.402	Steel Detachable	51
35	0.375	Precision Roller Chain	3
35SLB	0.375	Self Lube Bushing	27
35-A1	0.375	Precision Roller Chain	17
35-D1	0.375	Attachment Chain	18
35-D3	0.375	Attachment Chain	18
35-K1	0.375	Attachment Chain	17
35-M1	0.375	Attachment Chain	18
35-M35	0.375	Attachment Chain	18
35NP	0.375	Attachment Chain Nickel Plated	23
35PHSS	0.375	600 Stainless Steel	25
35SS	0.375	Stainless Steel	24
35-2	0.375	Precision Roller Chain	4

CHAIN #	PITCH	TYPE OF CHAIN	PAGE #
35-2NP	0.375	Nickle Plated	23
35-2SS	0.375	Stainless Steel	24
35-3	0.375	Precision Roller Chain	4
CB35-50	0.375	Chain Detacher	33
35-WA1	0.375	Wide Attachment Chain	19
35-WA2	0.375	Wide Attachment Chain	19
35-WK1	0.375	Wide Attachment Chain	19
35-WK2	0.375	Wide Attachment Chain	19
35-WM1	0.375	Wide Attachment Chain	19
35-WM2	0.375	Wide Attachment Chain	19
35-WM35-1	0.375	Wide Attachment Chain	19
35-WM35-2	0.375	Wide Attachment Chain	19
40	0.500	Precision Roller Chain	3
40	0.500	Solid Bushed Solid Roller	6
40AC	0.500	Armor Coat	26
40-A1	0.500	Attachment Chain	17
40-D1	0.500	Attachment Chain	18
40-D3	0.500	Attachment Chain	18
40-K1	0.500	Attachment Chain	17
40-M1	0.500	Attachment Chain	18
40-M35	0.500	Attachment Chain	18
40B-S	2.500	Metric Roller Chain-Super Series	9
40HP	0.500	Hollow Pin	32
40NP	0.500	Nickel Plated	23
40OR	0.500	O-Ring	33
40PHSS	0.500	600 Stainless Steel	25
40S	0.500	Precision Roller Chain-Super Series	7
40SB	0.500	Side Bow	32
40SL	0.500	Self Lube	27
40SLB	0.500	Self Lube Bushing	27
40SS	0.500	Stainless Steel	24
40XDO 1-4	0.500	Xtra Duty/Oilfield	12
40-2	0.500	Precision Roller Chain	4
40-2	0.500	Solid Bushed Solid Roller	6
40-2SS	0.500	Stainless Steel	24
40-2NP	0.500	Nickel Plated	23
40-3	0.500	Precision Roller Chain	4
40-4	0.500	Precision Roller Chain	4
40-WA1	0.500	Wide Attachment Chain	19
40-WA2	0.500	Wide Attachment Chain	19
40-WK1	0.500	Wide Attachment Chain	19
40-WK2	0.500	Wide Attachment Chain	19
40-WM1	0.500	Wide Attachment Chain	19
40-WM2	0.500	Wide Attachment Chain	19
40-WM35	0.500	Wide Attachment Chain	19
40-WM35-2	0.500	Wide Attachment Chain	19
C40	0.500	Straight Sidebar	31
41	0.500	Precision Roller Chain	3
41NP	0.500	Nickel Plated	23
41SS	0.500	Stainless Steel	24
42	1.375	Steel Detachable	51
48B-S	3.000	Metric Roller Chain-Super Series	9
50	0.625	Precision Roller Chain	3
50	0.625	Solid Bushed Solid Roller	6
50-A1	0.625	Attachment Chain	17
50-D1	0.625	Attachment Chain	18
50-D3	0.625	Attachment Chain	18
50-K1	0.625	Attachment Chain	17
50-M1	0.625	Attachment Chain	18
50-M35	0.625	Attachment Chain	18
50AC	0.625	Armor Coat	26
50H	1.375	Steel Detachable	51
50H	0.625	Heavy Series	5





ALLIED-LOCKE
INDUSTRIES

PRODUCT INDEX

CHAIN #	PITCH	TYPE OF CHAIN	PAGE #
50 Hoist (625)	0.625	Hoist Chain	33
50HP	0.625	Hollow Pin	32
50NP	0.625	Nickel Plated	23
50OR	0.625	O-Ring	33
50PHSS	0.625	600 Stainless Steel	25
50S	0.625	Precision Roller Chain-Super Series	7
50SB	0.625	Side Bow	32
50SHD	0.625	Precision Roller Chain-Super Heavy	8
50SL	0.625	Self Lube	27
50SLB	0.625	Self Lube Bushing	27
50SS	0.625	Stainless Steel	24
50XDO 1-8	0.625	Xtra Duty/Oilfield	12
50-2	0.625	Precision Roller Chain	4
50-2	0.625	Solid Bushed Solid Roller	6
50-2NP	0.625	Nickel Plated	23
50-2SS	0.625	Stainless Steel	24
50-3	0.625	Precision Roller Chain	4
50-4	0.625	Precision Roller Chain	4
50-WA1	0.625	Wide Attachment Chain	19
50-WA2	0.625	Wide Attachment Chain	19
50-WK1	0.625	Wide Attachment Chain	19
50-WK2	0.625	Wide Attachment Chain	19
50-WM1	0.625	Wide Attachment Chain	19
50-WM2	0.625	Wide Attachment Chain	19
50-WM35	0.625	Wide Attachment Chain	19
50-WM35-2	0.625	Wide Attachment Chain	19
C50	0.625	Straight Sidebars	31
51	1.133	Steel Detachable	51
52	1.508	Steel Detachable	51
55	0.625	Rollerless	31
55	1.630	Steel Detachable	51
C55	1.631	Combination Chain	91
C55A	1.631	Transfer Chain	106
C55B	1.631	Transfer Chain	106
C55D	1.631	Transfer Chain	106
C55L	1.631	Combination Chain	91
AL58	4.000	Steel Pintle Chain	45
60	0.750	Precision Roller Chain	3
60	0.750	Solid Bushed Solid Roller	6
CB60-100		Chain Detacher	33
60-A1	0.750	Attachment Chain	17
60-D1	0.750	Attachment Chain	18
60-D3	0.750	Attachment Chain	18
60-K1	0.750	Attachment Chain	17
60-M1	0.750	Attachment Chain	18
60-M35	0.750	Attachment Chain	18
60AC	0.750	Armor Coat	26
60DC	0.750	Double Capacity	11
60H	0.750	Heavy Series	5
60H	0.750	Solid Bushed Solid Roller	6
60H-2	0.750	Heavy Series	5
60 Hoist (750)	0.750	Hoist Chain	33
60HP	0.750	Hollow Pin	32
60NP	0.750	Nickel Plated	23
60OR	0.750	O-Ring	33
60PHSS	0.750	600 Stainless Steel	25
60S	0.075	Precision Roller Chain-Super Series	7
60SB	0.750	Side Bow	32
60XDO 1-8	0.750	Xtra Duty/Oilfield	12
60HXDO 1-4	0.750	Xtra Duty/Oilfield-Heavy Series	14
60SHD	0.750	Precision Roller Chain-Super Heavy	8
60SL	0.750	Self Lube	27
60SLB	0.750	Self Lube Bushing	27

CHAIN #	PITCH	TYPE OF CHAIN	PAGE #
60SS	0.750	Stainless Steel	24
60-2	0.750	Precision Roller Chain	4
60-2	0.750	Solid Bushed Solid Roller	6
60-2NP	0.750	Nickel Plated	23
60-2SS	0.750	Stainless Steel	24
60-3	0.750	Precision Roller Chain	4
60-4	0.750	Precision Roller Chain	4
60-WA1	0.750	Wide Attachment Chain	19
60-WA2	0.750	Wide Attachment Chain	19
60-WK1	0.750	Wide Attachment Chain	19
60-WK2	0.750	Wide Attachment Chain	19
60-WM1	0.750	Wide Attachment Chain	19
60-WM2	0.750	Wide Attachment Chain	19
60-WM35	0.750	Wide Attachment Chain	19
60-WM35-2	0.750	Wide Attachment Chain	19
C60	0.750	Straight Sidebar	31
C60	2.307	Combination Chain	91
H60	2.308	Mill Chain	97
62	1.654	Steel Detachable	51
62A	1.664	Steel Detachable	51
62H	1.654	Steel Detachable	51
65	0.750	Rollerless	31
AL67-T-Bar	2.560	T-Bar	55
AL67-T-Rod	2.388	T-Rod	55
67H	2.313	Steel Detachable	51
67XH	2.313	Steel Detachable	51
67W	2.313	Steel Detachable	51
70	2.013	Steel Detachable	51
72	2.025	Steel Detachable	51
7212	1.643	Steel Detachable	51
H74	2.609	Mill Chain	97
C77	2.308	Combination Chain	91
H78	2.609	Mill Chain	97
H78A	2.609	Transfer Chain	105
H78B	2.609	Transfer Chain	105
NH78	2.609	Non-Metallic Chain	119
MSS78	2.609	Stainless Steel Chain	118
SUS78	2.609	Welded Steel-Stainless	59
WH78	2.609	Welded Steel	59
WH78-4	4.000	Welded Steel	59
H79	2.609	Mill Chain	97
80	1.000	Precision Roller Chain	3
80	1.000	Solid Bushed Solid Roller	6
80-A1	1.000	Attachment Chain	17
80-D1	1.000	Attachment Chain	18
80-D3	1.000	Attachment Chain	18
80-D5	1.000	Extended Pin	34
80-K1	1.000	Attachment Chain	17
80-M1	1.000	Attachment Chain	18
80-M35	1.000	Attachment Chain	18
80AC	1.000	Armor Coat	26
80DC	1.000	Double Capacity	11
80H	1.000	Heavy Series	5
80H	1.000	Solid Bushed Solid Roller	6
80H-2	1.000	Heavy Series	5
80HP	1.000	Hollow Pin	32
80NP	1.000	Nickel Plated	23
80OR	1.000	O-Ring	33
80PHSS	1.000	600 Stainless Steel	25
80S	1.000	Precision Roller Chain-Super Series	7
80SB	1.000	Side Bow	32
80SHD	1.000	Precision Roller Chain-Super Heavy	8
80SL	1.000	Self Lube	27



PRODUCT INDEX

ALLIED-LOCKE
INDUSTRIES



CHAIN #	PITCH	TYPE OF CHAIN	PAGE #
80SLB	1.000	Self Lube Bushing	27
80XDO 1-8	1.000	Xtra Duty/Oilfield	12
80HXDO 1-8	1.000	Xtra Duty/Oilfield-Heavy Series	14
80SS	1.000	Stainless Steel	24
80SS-D5	1.000	Extended Pin	34
80-2	1.000	Precision Roller Chain	4
80-2	1.000	Solid Bushed Solid Roller	6
80-2NP	1.000	Nickel Plated	23
80-2SS	1.000	Stainless Steel	24
80-3	1.000	Precision Roller Chain	4
80-4	1.000	Precision Roller Chain	4
80-WA1	1.000	Wide Attachment Chain	19
80-WA2	1.000	Wide Attachment Chain	19
80-WK1	1.000	Wide Attachment Chain	19
80-WK2	1.000	Wide Attachment Chain	19
80-WM1	1.000	Wide Attachment Chain	19
80-WM2	1.000	Wide Attachment Chain	19
80-WM35	1.000	Wide Attachment Chain	19
80-WM35-2	1.000	Wide Attachment Chain	19
C80	1.000	Straight Sidebar	31
81X	2.609	Elevator & Conveyor	71
81XH	2.609	Elevator & Conveyor	71
81XHD	2.609	Elevator & Conveyor	71
81X-KD	2.609	Kiln Dry	70
H82	3.075	Mill Chain	97
WH82	3.075	Welded Steel	59
85	1.000	Rollerless	31
H87	4.000	Mill Chain	97
AL88C	2.609	Steel Pintle	45
AL88K	2.609	Steel Pintle	45
AL88XH	2.609	Steel Pintle	45
MXS88B	5.750	Drive Chain	86
100	1.250	Precision Roller Chain	3
100	1.250	Solid Bushed Solid Roller	6
100-A1	1.250	Attachment Chain	17
100-D1	1.250	Attachment Chain	18
100-D3	1.250	Attachment Chain	18
100-K1	1.250	Attachment Chain	17
100-M1	1.250	Attachment Chain	18
100-M35	1.250	Attachment Chain	18
100AC	1.250	Armor Coat	26
100DC	1.250	Double Capacity	11
100H	1.250	Heavy Series	5
100H	1.250	Solid Bushed Solid Roller	6
100H-2	1.250	Heavy Series	5
100NP	1.250	Nickel Plated	23
100S	1.250	Precision Roller Chain-Super Series	7
100SHD	1.250	Precision Roller Chain-Super Heavy	8
100SL	1.250	Self Lube	27
100SLB	1.250	Self Lube Bushing	27
100SS	1.250	Stainless Steel	24
100XDO 1-8	1.250	Xtra Duty/Oilfield	12
100HXDO 1-8	1.250	Xtra Duty/Oilfield-Heavy Series	14
100-2	1.250	Precision Roller Chain	4
100-3	1.250	Precision Roller Chain	4
100-4	1.250	Precision Roller Chain	4
102	102 mm	Case Conveyor Chain	90
C102B	4.000	Combination Chain	91
H102	5.000	Drag Chain	103
SS102B	4.000	Elevator & Conveyor	63
C102-1/2	4.040	Combination Chain	91
H104	6.000	Drag Chain	103
WD104	6.000	Welded Steel Drag	57

CHAIN #	PITCH	TYPE OF CHAIN	PAGE #
105	1.250	Rollerless	31
WH106	6.000	Welded Steel	59
WH106HD	6.000	Welded Steel	59
WH106XHD	6.000	Welded Steel	59
C110	6.000	Combination Chain	91
H110	6.000	Drag Chain	103
SS110	6.000	Elevator & Conveyor	63
WD110	6.000	Welded Steel Drag	57
WDH110	6.000	Welded Steel Drag	57
WH110	6.000	Welded Steel	59
WH111	4.760	Welded Steel	59
C111	4.760	Combination Chain	91
C111C	4.760	Combination Chain	91
SS111	4.760	Elevator & Conveyor	63
WDH112	6.000	Welded Steel Drag	57
H112	8.000	Drag Chain	103
H116	8.000	Drag Chain	103
120	1.500	Precision Roller Chain	3
120	1.500	Solid Bushed Solid Roller	6
120-A1	1.500	Attachment Chain	17
120-D1	1.500	Attachment Chain	18
120-D3	1.500	Attachment Chain	18
120-K1	1.500	Attachment Chain	17
120-M1	1.500	Attachment Chain	18
120-M35	1.500	Attachment Chain	18
120DC	1.500	Double Capacity	11
120H	1.500	Heavy Series	5
120H-2	1.500	Heavy Series	5
120-M1	1.500	Attachment Chain	18
120-M35	1.500	Attachment Chain	18
120H	1.500	Heavy Series	5
120S	1.500	Precision Roller Chain-Super Series	7
120SHD	1.500	Precision Roller Chain-Super Heavy	8
120SL	1.500	Self Lube	27
120SLB	1.500	Self Lube Bushing	27
120XDO 1-8	1.500	Xtra Duty/Oilfield	13
120HXDO 1-8	1.000	Xtra Duty/Oilfield-Heavy Series	14
120H-2	1.500	Heavy Series	5
120-2	1.500	Precision Roller Chain	4
120-3	1.500	Precision Roller Chain	4
120-4	1.500	Precision Roller Chain	4
H120	6.000	Drag Chain	103
WDH120	6.000	Welded Steel	57
WDH122	8.000	Welded Steel	57
H124	4.000	Mill Chain	97
WH124	4.000	Welded Steel	59
WH124HD	4.063	Welded Steel	59
H130	4.000	Transfer Chain	105
C131	3.075	Combination Chain	91
H131	4.000	Transfer Chain	105
SS131	3.075	Elevator & Conveyor	63
C132	6.050	Combination Chain	91
MBP132	6.050	Combination Chain	91
MBP132C	6.050	Combination Chain	91
PW132	6.050	Combination Chain	91
WH132	6.050	Welded Steel	59
WH132HD	6.050	Welded Steel	59
C133	6.000	Combination Chain	91
H138	4.000	Transfer Chain	105
140	1.750	Precision Roller Chain	3
140	1.750	Solid Bushed Solid Roller	6
140-D1	1.750	Attachment Chain	18
140-D3	1.750	Attachment Chain	18





ALLIED-LOCKE
INDUSTRIES

PRODUCT INDEX

CHAIN #	PITCH	TYPE OF CHAIN	PAGE #
140-K1	1.750	Attachment Chain	17
140-M1	1.750	Attachment Chain	18
140-M35	1.750	Heavy Series	18
140H	1.750	Heavy Series	5
140DC	1.750	Double Capacity	11
140S	1.750	Precision Roller Chain-Super Series	7
140SHD	1.750	Precision Rollr Chain-Super Heavy	8
140XDO 1-8	1.750	Xtra Duty/Oilfield	13
140HXDO 1-8	1.750	Xtra Duty/Oilfield-Heavy Duty	15
140H-2	1.750	Precision Roller Chain	5
140-2	1.750	Precision Roller Chain	4
140-3	1.750	Precision Roller Chain	4
142	142 mm	Case Conveyor Chain	90
MSR149	4.000	Elevator & Conveyor	70
WH150	6.050	Welded Steel	59
WH150HD	6.050	Welded Steel	59
WH150XHD	6.050	Welded Steel	59
SS150	6.050	Elevator & Conveyor	63
160	2.000	Precision Roller Chain	3
160	2.000	Solid Bushed Solid Roller	6
160-A1	2.000	Attachment Chain	17
160-D1	2.000	Attachment Chain	18
160-D3	2.000	Attachment Chain	18
160-K1	2.000	Attachment Chain	17
160-M1	2.000	Attachment Chain	18
160-M35	2.000	Attachment Chain	18
160H	2.000	Heavy Series	5
160DC	2.000	Double Capacity	11
160S	2.000	Precision Roller Chain-Super Series	7
160SHD	2.000	Precision Roller Chain-Super Heavy	8
160XDO 1-6	2.000	Xtra Duty/Oilfield	13
160HXDO 1-6	2.000	Xtra Duty/Oilfield-Heavy Duty	15
160H-2	2.000	Heavy Series	5
160 w/dog	2.000	Caterpillar Chain	34
160-2	2.000	Precision Roller Chain	4
160-3	2.000	Precision Roller Chain	4
180	2.250	Precision Roller Chain	3
180DC	2.250	Double Capacity	11
180S	2.250	Precision Rollr Chain-Super Series	7
180SHD	2.250	Precision Roller Chain-Super Heavy	8
180-2	2.250	Precision Roller Chain	4
BRH188	2.609	Combination Chain	91
C188	2.609	Combination Chain	91
SS188	2.609	Elevator & Conveyor	63
WH188	2.609	Welded Steel	59
200	2.500	Precision Roller Chain	3
200DC	2.500	Double Capacity	11
200H	2.500	Heavy Series	5
200S	2.250	Precision Roller Chain-Super Series	7
200SHD	2.250	Precision Roller Chain-Super Heavy	8
200XDO 1-4	2.250	Xtra Duty/Oilfield	13
200HXDO	2.250	Xtra Duty/Oilfield-Heavy Duty	15
200H-2	2.500	Heavy Series	5
200-2	2.500	Precision Roller Chain	4
200-3	2.500	Precision Roller Chain	4
240	3.000	Precision Roller Chain	3
240DC	3.000	Double Capacity	11
240S	3.000	Precision Roller Chain-Super Series	7
240SHD	3.000	Precision Roller Chain-Super Heavy	8
240XDO	3.000	Xtra Duty/Oilfield	13
240-2	3.000	Precision Roller Chain	4
240-3	3.000	Precision Roller Chain	4
260	260 mm	Case Conveyor Chain	90

CHAIN #	PITCH	TYPE OF CHAIN	PAGE #
264XDO 1-3	3.000	Xtra Duty/Oilfield	13
MSR303	3.000	Elevator & Conveyor	70
AL308	2.609	Steel Pintle	45
AL322	0.375	Leaf Chain	28
S348	3.031	Bar Loop	89
X348	3.031	Drop Forged	89
410 (43)(65)	0.500	Precision Roller Chain	31
410NP (43)	0.500	Nickel Plated	23
415 (42)	0.500	Precision Roller Chain	31
415H	0.500	Precision Roller Chain	31
420	0.500	Precision Roller Chain	31
AL422	0.500	Leaf Chain	28
423	0.500	Precision Roller Chain	31
BL423	0.500	Leaf Chain	29
428	0.500	Precision Roller Chain	31
428H	0.500	Precision Roller Chain	31
MXS432	1.654	Drive Chain	86
BL434	0.500	Leaf Chain	29
442	1.375	400 Class Pintle	107
AL444	0.500	Leaf Chain	28
BL444	0.500	Leaf Chain	29
445	1.630	400 Class Pintle	107
BL446	0.500	Leaf Chain	29
452	1.506	400 Class Pintle	107
455	1.630	400 Class Pintle	107
S458	4.031	Bar Loop	89
X458	4.031	Drop Forged	89
462	1.634	400 Class Pintle	107
AL466	0.500	Leaf Chain	28
BL466	0.500	Leaf Chain	29
468	4.031	Drop Forged	89
S468	4.031	Bar Loop	89
477	2.308	400 Class	107
H480	8.000	Drag Chain	103
WD480	8.000	Welded Steel Drag	57
WDH480	8.000	Welded Steel Drag	57
WDH480XHD	8.000	Welded Steel Drag	57
488	2.609	400 Class Pintle	107
520	0.625	Precision Roller Chain	31
AL522	0.625	Leaf Chain	28
BL522	0.625	Leaf Chain	29
AL523	0.625	Leaf Chain	28
BL523	0.625	Leaf Chain	29
530	0.625	Precision Roller Chain	31
BL534	0.625	Leaf Chain	29
AL544	0.625	Leaf Chain	28
BL544	0.625	Leaf Chain	29
BL546	0.625	Leaf Chain	29
A550	1.630	Ag Roller Chain	35
CA550	1.630	Ag Roller Chain	35
CA550HD	1.630	Ag Roller Chain	35
A555	1.630	Ag Roller Chain	35
CA555	1.630	Ag Roller Chain	35
A557	1.630	Ag Roller Chain	35
CA557	1.630	Ag Roller Chain	35
CA565	1.630	Ag Roller Chain	35
AL566	0.625	Leaf Chain	28
BL566	0.625	Leaf Chain	29
A620	1.654	Ag Roller Chain	35
CA620	1.654	Ag Roller Chain	35
AL622	0.750	Leaf Chain	28
BL622	0.750	Leaf Chain	29
MSR622	6.000	Elevator & Conveyor	72



PRODUCT INDEX

ALLIED-LOCKE
INDUSTRIES



CHAIN #	PITCH	TYPE OF CHAIN	PAGE #
AL623	0.750	Leaf Chain	28
BL623	0.750	Leaf Chain	29
MSR624	6.000	Elevator & Conveyor	72
CA627	1.181	Ag Roller Chain	35
BL634	0.750	Leaf Chain	29
AL644	0.750	Leaf Chain	28
BL644	0.750	Leaf Chain	29
BL646	0.750	Leaf Chain	29
MSR658	6.000	Elevator & Conveyor	72
X658	6.031	Drop Forged	89
AL662	1.664	Steel Pintle Chain	45
AL666	0.750	Leaf Chain	28
BL666	0.750	Leaf Chain	29
AL667H	2.313	Steel Pintle Chain	45
AL667K	2.250	Steel Pintle Chain	45
AL667X	2.250	Steel Pintle Chain	45
AL667XH	2.250	Steel Pintle Chain	45
X678	6.031	Drop Forged	89
678	6.031	Manganese Rivetless	125
AL688	0.750	Leaf Chain	28
698	6.031	Drop Forged	89
698	6.031	Manganese Rivetless	125
S698	6.031	Bar Loop	89
SS715	6.000	Stainless Steel Waste Water	118
720	6.000	700 Class Pintle	113
720S	6.000	700 Class Pintle	113
MS720S	6.000	700 Class Pintle	113
NCS720S	6.000	Non-Metallic Waste Water	119
730	6.000	700 Class Pintle	113
MS730	6.000	700 Class Pintle	113
788	2.609	700 Class Pintle	113
AL822	1.000	Leaf Chain	28
BL822	1.000	Leaf Chain	29
BL823	1.000	Leaf Chain	29
SS833	6.000	Elevator & Conveyor	63
BL834	1.000	Leaf Chain	29
AL844	1.000	Leaf Chain	28
BL844	1.000	Leaf Chain	29
BL846	1.000	Leaf Chain	29
SS856	6.000	Elevator & Conveyor	63
SS857	6.000	Elevator & Conveyor	63
SS859	6.000	Elevator & Conveyor	63
SS864	7.000	Elevator & Conveyor	63
AL866	1.000	Leaf Chain	28
BL866	1.000	Leaf Chain	29
MXS881	2.609	Drive Chain	86
MXS882	2.609	Drive Chain	86
AL888	1.000	Leaf Chain	28
MSR911	9.000	Elevator & Conveyor	74
MSR912	9.000	Elevator & Conveyor	74
MSR925	9.000	Elevator & Conveyor	74
MSR933	9.000	Elevator & Conveyor	74
MSR944+	6.000	Elevator & Conveyor	72
MSR953	6.000	Elevator & Conveyor	72
SS956	6.000	Elevator & Conveyor	63
MSR958	9.000	Elevator & Conveyor	74
SS958	6.000	Elevator & Conveyor	63
MSR975	9.000	Elevator & Conveyor	74
SS984	7.000	Elevator & Conveyor	63
SS994	7.000	Elevator & Conveyor	63
MSR996	6.000	Elevator & Conveyor	72
998	9.031	Drop Forged	89
998	9.031	Manganese Rivetless	125

CHAIN #	PITCH	TYPE OF CHAIN	PAGE #
S998	9.031	Bar Loop	89
AL1022	1.250	Leaf Chain	28
BL1023	1.250	Leaf Chain	29
MXS1031	3.075	Drive Chain	86
MXS1032	3.075	Drive Chain	86
BL1034	1.250	Leaf Chain	29
AL1044	1.250	Leaf Chain	28
BL1046	1.250	Leaf Chain	29
AL1066	1.250	Leaf Chain	28
BL1066	1.250	Leaf Chain	29
AL1088	1.250	Leaf Chain	28
BL1088	1.250	Leaf Chain	29
MSR1114	6.000	Elevator & Conveyor	72
MSR1116	6.000	Elevator & Conveyor	72
MSR1221	12.000	Elevator & Conveyor	74
MSR1222	12.000	Elevator & Conveyor	74
AL1222	1.500	Leaf Chain	28
BL1223	1.500	Leaf Chain	29
MSR1233	12.000	Elevator & Conveyor	74
BL1234	1.500	Leaf Chain	29
MXS1242	4.063	Drive Chain	86
AL1244	1.500	Leaf Chain	28
BL1244	1.500	Leaf Chain	29
MSR1244	12.000	Elevator & Conveyor	74
MXS1245	4.073	Drive Chain	86
BL1246	1.500	Leaf Chain	29
MSR1250	12.000	Elevator & Conveyor	74
MSR1256	12.000	Elevator & Conveyor	74
MSR1265	12.000	Elevator & Conveyor	74
AL1266	1.500	Leaf Chain	28
BL1266	1.500	Leaf Chain	29
MSR1317	3.000	Elevator & Conveyor	70
BL1434	1.750	Leaf Chain	29
BL1446	1.750	Leaf Chain	29
BL1466	1.750	Leaf Chain	29
MSR1539	3.075	Elevator & Conveyor	70
MSR1617	6.000	Elevator & Conveyor (CC5)	72
BL1623	2.000	Leaf Chain	29
BL1634	2.000	Leaf Chain	29
BL1646	2.000	Leaf Chain	29
BL1666	2.000	Leaf Chain	29
BL1688	2.000	Leaf Chain	29
1924	5.000	Cast Alloy Drag Chain	128
1932	6.000	Cast Alloy Drag Chain	128
1934	6.000	Cast Alloy Drag Chain	128
1952	9.000	Cast Alloy Drag Chain	128
1953	9.000	Cast Alloy Drag Chain	128
1955	9.000	Cast Alloy Drag Chain	128
1958	9.000	Cast Alloy Drag Chain	128
1960	9.000	Cast Alloy Drag Chain	128
1962	9.000	Cast Alloy Drag Chain	128
1964	9.000	Cast Alloy Drag Chain	128
1965	9.000	Cast Alloy Drag Chain	128
1967	9.000	Cast Alloy Drag Chain	128
1972	12.000	Cast Alloy Drag Chain	128
1976	12.000	Cast Alloy Drag Chain	128
A2040	1.000	Precision Roller Chain	16
A2040AC	1.000	Armor Coat	26
A2040NP	1.000	Nickel Plated	23
A2040 SS	1.000	Stainless Steel	24
C2040	1.000	Precision Roller Chain	16
C2040-A1	1.000	Attachment Chain	20
C2040-A2	1.000	Attachment Chain	20





CHAIN #	PITCH	TYPE OF CHAIN	PAGE #
C2040-D1	1.000	Attachment Chain	22
C2040-D3	1.000	Attachment Chain	22
C2040-K1	1.000	Attachment Chain	20
C2040-K2	1.000	Attachment Chain	20
C2040-M1	1.000	Attachment Chain	22
C2040-M2	1.000	Attachment Chain	22
C2040-M35	1.000	Attachment Chain	21
C2040-M35-2	1.000	Attachment Chain	21
C2040AC	1.000	Armor Coat	26
C2040HP	1.000	Hollow Pin	32
C2040NP	1.000	Nickel Plated	23
C2040PHSS	1.000	600 Stainless Steel	25
C2040SL	1.000	Self Lube	27
C2040SLB	1.000	Self Lube Bushing	27
C2040SS	1.000	Stainless Steel	24
C2042	1.000	Precision Roller Chain	16
C2042AC	1.000	Armor Coat	26
C2042HP	1.000	Hollow Pin	32
C2042PHSS	1.000	600 Stainless Steel	26
C2042SS	1.000	Stainless Steel	24
A2050	1.250	Precision Roller Chain	16
A2050AC	1.250	Armor Coat	26
A2050NP	1.250	Nickel Plated	23
A2050SS	1.250	Stainless Steel	24
C2050	1.250	Precision Roller Chain	16
C2050-A1	1.250	Attachment Chain	20
C2050-A2	1.250	Attachment Chain	20
C2050-D1	1.250	Attachment Chain	22
C2050-D3	1.250	Attachment Chain	22
C2050-G1	1.250	G-1 Hole ev pitch	34
C2050-K1	1.250	Attachment Chain	20
C2050-K2	1.250	Attachment Chain	20
C2050-M1	1.250	Attachment Chain	22
C2050-M2	1.250	Attachment Chain	22
C2050-M35	1.250	Attachment Chain	21
C2050-M35-2	1.250	Attachment Chain	21
C2050AC	1.250	Armor Coat	26
C2050HP	1.250	Hollow Pin	32
C2050NP	1.250	Nickel Plated	23
C2050PHSS	1.250	600 Stainless Steel	25
C2050SL	1.250	Self Lube	27
C2050SS	1.250	Stainless Steel	24
C2052	1.250	Precision Roller Chain	16
C2052AC	1.250	Armor Coat	26
C2052HP	1.250	Hollow Pin	32
C2052PHSS	1.250	600 Stainless Steel	25
C2052SS	1.250	Stainless Steel	24
A2060	1.500	Precision Roller Chain	16
A2060NP	1.500	Nickel Plated	23
A2060SS	1.500	Stainless Steel	24
C2060	1.500	Precision Roller Chain	16
C2060PHSS	1.500	600 Stainless Steel	25
C2060SS	1.500	Stainless Steel	24
C2060SL	1.500	Self Lube	27
C2060H	1.500	Precision Roller Chain	16
C2060H	1.500	Solid Bushed Solid Roller	6
C2060HAC	1.500	Armor Coat	26
C2060HAC D-5	1.500	Armor Coat w/extended pin	34
C2060HP	1.500	Hollow Pin	32
C2060HNP	1.500	Nickel Plated	23
C2060HPHSS	1.500	600 Stainless Steel	25
C2060HSL	1.500	Self Lube	27
C2060HSLB	1.500	Self Lube Bushing	27

CHAIN #	PITCH	TYPE OF CHAIN	PAGE #
C2060HSS	1.500	Stainless Steel	24
C2060HSS-D5	1.500	Stainless Steel Citrus Chain	34
C2060H-A1	1.500	Attachment Chain	20
C2060H-A2	1.500	Attachment Chain	20
C2060H-D1	1.500	Attachment Chain	22
C2060H-D3	1.500	Attachment Chain	22
C2060H-D5	1.500	Citrus Chain	22
C2060H-G1	1.500	Sorting Chain	34
C2060H-K1	1.500	Attachment Chain	20
C2060H-K2	1.500	Attachment Chain	20
C2060H-M1	1.500	Attachment Chain	22
C2060H-M2	1.500	Attachment Chain	22
C2060H-M35	1.500	Attachment Chain	21
C2060H-M35-2	1.500	Attachment Chain	21
C2062H	1.500	Precision Roller Chain	16
C2062HAC	1.500	Armor Coat	26
C2062HP	1.500	Hollow Pin	23
C2062HPHSS	1.500	600 Stainless Steel	25
C2062HSS	1.500	Stainless Steel	24
MXS2070	2.000	Drive Chain	86
A2080	2.000	Precision Roller Chain	16
C2080H	2.000	Precision Roller Chain	16
C2080H	2.000	Solid Bushed Solid Roller	6
C2080HP	2.000	Hollow Pin	32
C2080HNP	2.000	Nickel Plated	23
C2080HPHSS	2.000	600 Stainless Steel	25
C2080HSS	2.000	Stainless Steel	24
C2080HSL	2.000	Self Lube	27
C2080HSLB	2.000	Self Lube Bushing	27
C2080H-A1	2.000	Attachment Chain	20
C2080H-A2	2.000	Attachment Chain	20
C2080H-D1	2.000	Attachment Chain	22
C2080H-D3	2.000	Attachment Chain	22
C2080H-G1	2.000	Sorting Chain	34
C2080H-K1	2.000	Attachment Chain	20
C2080H-K2	2.000	Attachment Chain	20
C2080H-M1	2.000	Attachment Chain	22
C2080H-M2	2.000	Attachment Chain	22
C2080H-M35	2.000	Attachment Chain	21
C2080H-M35-2	2.000	Attachment Chain	21
C2082H	2.000	Precision Roller Chain	16
C2082HP	2.000	Hollow Pin	32
C2082HPHSS	2.000	600 Stainless Steel	25
C2082HSS	2.000	Stainless Steel	24
C2100H	2.500	Precision Roller Chain	16
C2100SS	2.500	Stainless Steel	23
C2100H NP	2.500	Nickle Plated	23
C2100H-A1	2.500	Attachment Chain	20
C2100H-A2	2.500	Attachment Chain	20
C2100H-D1	2.500	Attachment Chain	22
C2100H-D3	2.500	Attachment Chain	22
C2100H-K1	2.500	Attachment Chain	20
C2100H-K2	2.500	Attachment Chain	20
C2100H-M1	2.500	Attachment Chain	22
C2100H-M2	2.500	Attachment Chain	22
C2100H-M35	2.500	Attachment Chain	21
C2100H-M35-2	2.500	Attachment Chain	21
C2102H	2.500	Precision Roller Chain	16
C2102H SS	2.500	Stainless Steel	24
C2120H	3.000	Precision Roller Chain	16
C2120H SS	3.000	Stainless Steel	24
C2120H NP	3.000	Nickle Plated	23
C2120H-A1	3.000	Attachment Chain	20



PRODUCT INDEX

**ALLIED-LOCKE
INDUSTRIES**



CHAIN #	PITCH	TYPE OF CHAIN	PAGE #
C2120H-A2	3.000	Attachment Chain	20
C2120H-D1	3.000	Attachment Chain	22
C2120H-D3	3.000	Attachment Chain	22
C2120H-K1	3.000	Attachment Chain	20
C2120H-K2	3.000	Attachment Chain	20
C2120H-M1	3.000	Attachment Chain	22
C2120H-M2	3.000	Attachment Chain	22
C2120H-M35	3.000	Attachment Chain	21
C2120H-M35-2	3.000	Attachment Chain	21
C2122H	3.000	Precision Roller Chain	16
C2122H SS	3.000	Stainless Steel	24
MXS2124	4.000	Drive Chain	86
C2160H	4.000	Precision Roller Chain	16
C2160H NP	4.000	Nickle Plated	23
C2160H-A1	4.000	Attachment Chain	20
C2160H-A2	4.000	Attachment Chain	20
C2160H-D1	4.000	Attachment Chain	22
C2160H-D3	4.000	Attachment Chain	22
C2160H-K1	4.000	Attachment Chain	20
C2160H-K2	4.000	Attachment Chain	20
C2160H-M1	4.000	Attachment Chain	22
C2160H-M2	4.000	Attachment Chain	22
C2160H-M35	4.000	Attachment Chain	21
C2160H-M35-2	4.000	Attachment Chain	21
C2162H	6.000	Precision Roller Chain	16
MSR2178	6.000	Elevator & Conveyor	72
MSR2184P	6.000	Elevator & Conveyor	72
MSR2188	4.000	Elevator & Conveyor	70
MSR2198	6.000	Elevator & Conveyor	72
MSR2198HD	6.000	Elevator & Conveyor	72
MXS2772	7.000	Drive Chain	86
MXS3011	3.067	Drive Chain	86
MSR3013	3.000	Elevator & Conveyor	70
MXS3075	3.075	Drive Chain	86
MXS3120	1.500	Drive Chain	86
MXS3140	1.750	Drive Chain	86
MXS3160	2.000	Drive Chain	86
MXS3180	2.250	Drive Chain	86
MSR3343	2.609	Elevator & Conveyor	70
MSR3415	3.500	Elevator & Conveyor	70
MSR3420-K2	4.040	Meat Packing Chain	79
MSR3422	4.000	Elevator & Conveyor	70
DF3498	1.750 2.000	Double Flex Chain	120
DF3500	2.500 3.000	Double Flex Chain	120
MXS3514	3.500	Drive Chain	86
MSR3811	4.000	Elevator & Conveyor	70
DF3910	3.000 3.000	Double Flex Chain	120
MSR3952	4.000	Elevator & Conveyor	70
MSR3957	4.000	Elevator & Conveyor	72
MSR4009	9.000	Elevator & Conveyor	74
MSR4013	4.000	Elevator & Conveyor	72
MSR4019	4.000	Elevator & Conveyor	72
MSR4065	9.000	Elevator & Conveyor	74
MSR4070	4.000	Elevator & Conveyor	72
MSR4071	4.000	Elevator & Conveyor	72
MSR4100	4.000	Elevator & Conveyor	72
4103	3.075	400 Class Pintle	107
MSR4119	4.000	Elevator & Conveyor	72
MSR4216	4.000	Elevator & Conveyor	72
MSR4328	4.000	Elevator & Conveyor	72

CHAIN #	PITCH	TYPE OF CHAIN	PAGE #
MXS4522	5.000	Drive Chain	86
MSR4539	3.075	Elevator & Conveyor	70
MXS5031	5.000	Drive Chain	86
MXS5035	9.000	Drive Chain	86
S5121	9.000	Cast Steel Drag Chain	127
WHX5121	6.050	Fabricated Steel Drag Chain	127
S5157	6.050	Cast Steel Drag Chain	127
WHX5157	6.050	Fabricated Steel Drag Chain	128
5310	8.000	Washbox Chain	129
5330	10.310	Washbox Chain	129
5350	12.000	Washbox Chain	129
5370	12.000	Washbox Chain	129
5374	12.000	Washbox Chain	129
5378	12.000	Washbox Chain	129
5410	12.250	Washbox Chain	129
5430	5.500	Washbox Chain	129
MXS5542	6.000	Drive Chain	86
MSR6018	6.000	Elevator & Conveyor	72
MXS6042	6.000	Drive Chain	86
MXS6060	6.500	Drive Chain	86
MSS6065	6.000	Drive Chain	86
S6067	9.000	Cast Steel Drag Chain	127
WHX6067	9.000	Fabricated Steel Drag Chain	127
S6121	9.000	Cast Steel Drag Chain	127
WHX6121	9.000	Fabricated Steel Drag Chain	127
MSR6238	6.000	Elevator & Conveyor	72
MSR6272-K2	6.000	Meat Packing Chain	79
MSR6560	6.500	Drive Chain	86
MXS6565	6.500	Drive Chain	86
MXS7124	4.000	Drive Chain	86
MXS7126	6.000	Drive Chain	86
MXS7065	7.000	Drive Chain	86
MXS7080	7.000	Drive Chain	86
MSR9063	6.000	Elevator & Conveyor	74
MSR9065	6.000	Elevator & Conveyor	74
WH9103	3.075	Welded Steel	59
9118	9.031	Drop Forged	89
9118	9.031	Manganese Rivetless	124
S9118	9.031	Bar Loop	89
9148	9.031	Drop Forged	89
MSR9184	6.000	Elevator & Conveyor	74
MSR9185	6.000	Elevator & Conveyor	74
MSR9856	6.000	Elevator & Conveyor	74
Buckets		Cast and Fabricated Steel	121



SERVICE & SUPPORT

WA: (08) 9303 4966 | NSW: (02) 9674 8611

chainanddrives.com.au

