



Bibby Series III Standard and Modified Designs



BIBBY SERIES III GEAR COUPLING

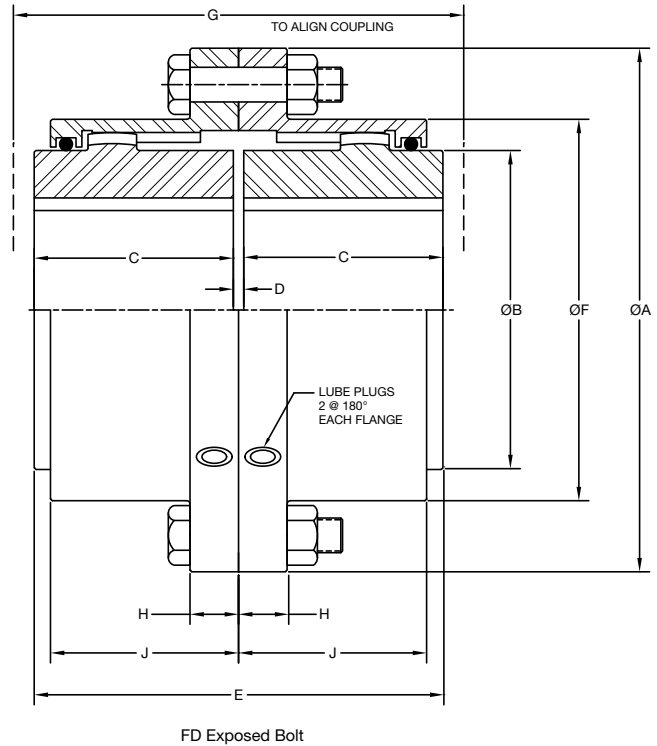
Flexible Couplings Series FD - High Torque

SIZES 15-70

FLANGED SLEEVE — DOUBLE-ENGAGEMENT TYPE

Application: Meets requirements of all standard applications for shaft sizes up to 265 mm. Compensates for both angular misalignment and parallel offset.

Description: Series FD Flexible Coupling is designed with bolted center flanges to facilitate installation and alignment. Optimum separation of gear meshes permits high parallel offset capacity. Flanged-sleeve design makes possible minimum distance between bearing housings to facilitate shaft alignment. The coupling is optimized for the greatest torque capacity.



FD Size	Torque Capacity NM	Maximum Speed RPM	Maximum Bore mm	DIMENSIONS mm										Mass kg	MR ² Inertia kgm ²
				A	B	C	D	E	F	G	H	J			
15	2,373	5,400	55	152.4	79.2	49.3	3.0	101.6	99.6	120.0	19.1	45.0	7.7	0.0170	
20	5,084	4,800	75	177.8	101.6	62.0	3.0	127.0	123.4	150.0	19.1	57.7	13.6	0.0378	
25	8,756	4,300	95	212.9	124.0	77.0	4.8	158.8	148.8	185.0	22.4	71.4	24.1	0.0935	
30	12,993	4,000	110	239.8	146.1	91.2	4.8	187.5	174.2	215.0	22.4	86.1	37.2	0.1808	
35	19,433	3,600	125	279.4	165.1	106.4	6.4	218.9	200.2	255.0	26.9	99.3	57.7	0.3821	
40	30,618	3,200	150	317.5	196.9	120.7	6.4	247.7	234.2	280.0	26.9	113.3	87.6	0.7430	
45	42,029	3,000	175	345.9	228.6	134.9	7.9	277.9	262.9	315.0	26.9	126.5	120.8	1.2230	
50	57,056	2,600	185	388.9	241.3	153.2	7.9	314.5	290.6	350.0	38.1	144.0	167.1	2.1603	
55	81,008	2,400	205	420.6	266.7	168.1	7.9	344.4	322.3	390.0	38.1	158.8	221.6	3.3683	
60	95,018	2,200	230	457.2	298.5	188.2	7.9	384.0	349.3	420.0	25.4	175.0	290.6	5.0191	
70	135,578	1,800	265	527.1	342.9	220.7	9.7	450.9	406.4	490.0	28.4	198.4	441.7	10.0461	

Contact the factory for additional details, modifications and variations.
Combined angular and parallel offset should not exceed + 3/4° per gear mesh.

Bibby Series III Couplings – Fully-Crowned Teeth for Higher Torque, Higher Speed, Higher Misalignment Capacity

ALL SERIES FD COUPLINGS INCORPORATE THE FOLLOWING ENGINEERED FEATURES:

- ±3/4° angular misalignment capacity per gear mesh.
- Torque ratings at full misalignment - in excess of normal requirements for average applications.
- Accurately machined medium carbon steel hubs and sleeves.
- Positive-type O-ring seals keep lubricant in...contaminants out. Seals enshrouded to prevent damage.

The Brands of Altra Industrial Motion

Couplings

Ameridrives
 Bibby Turboflex
 Guardian Couplings
 Huco
 Lamiflex Couplings
 Stromag
 TB Wood's

Geared Cam Limit Switches

Stromag

Electric Clutches & Brakes

Inertia Dynamics
 Matrix
 Stromag
 Warner Electric

Linear Products

Warner Linear

Engineered Bearing Assemblies

Kilian

Heavy Duty Clutches & Brakes

Industrial Clutch
 Twiflex
 Stromag
 Svendborg Brakes
 Wichita Clutch

Belted Drives

TB Wood's

Gearing

Bauer Gear Motor
 Boston Gear
 Delroyd Worm Gear
 Nuttall Gear

Overrunning Clutches

Formsprag Clutch
 Marland Clutch
 Stieber

Neither the accuracy nor completeness of the information contained in this publication is guaranteed by the company and may be subject to change in its sole discretion. The operating and performance characteristics of these products may vary depending on the application, installation, operating conditions and environmental factors. The company's terms and conditions of sale can be viewed at <http://www.altramotion.com/terms-and-conditions/sales-terms-and-conditions>. These terms and conditions apply to any person who may buy, acquire or use a product referred to herein, including any person who buys from a licensed distributor of these branded products.

©2018 by Bibby Turboflex LLC. All rights reserved. All trademarks in this publication are the sole and exclusive property of Bibby Turboflex LLC or one of its affiliated companies.



WA LOCATIONS

Unit 1 / 45 Inspiration Drive, Wangara WA 6065
 (08) 9303 4966

Unit 16 / 51-53 Kewdale Road, Welshpool WA 6106
 (08) 6314 1155

support@chainanddrives.com.au

NSW LOCATION

Unit 7 / 70 Holbeche Road, Arndell Park NSW 2148
 (02) 9674 8611

salesnsw@chainanddrives.com.au



A Mechanical Equipment Group Company