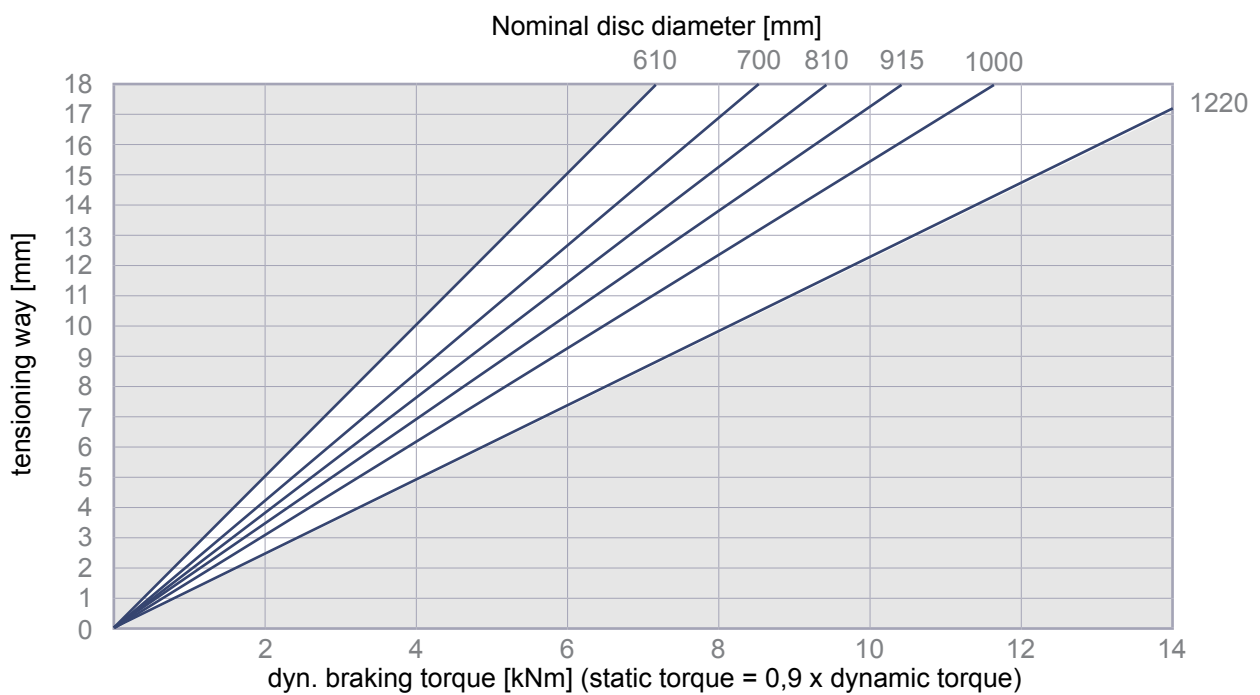




2D-drawing and dimensions see pg. 2

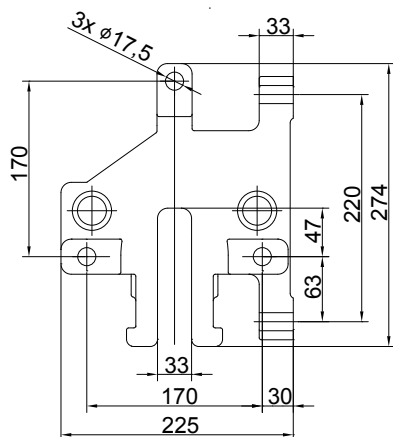
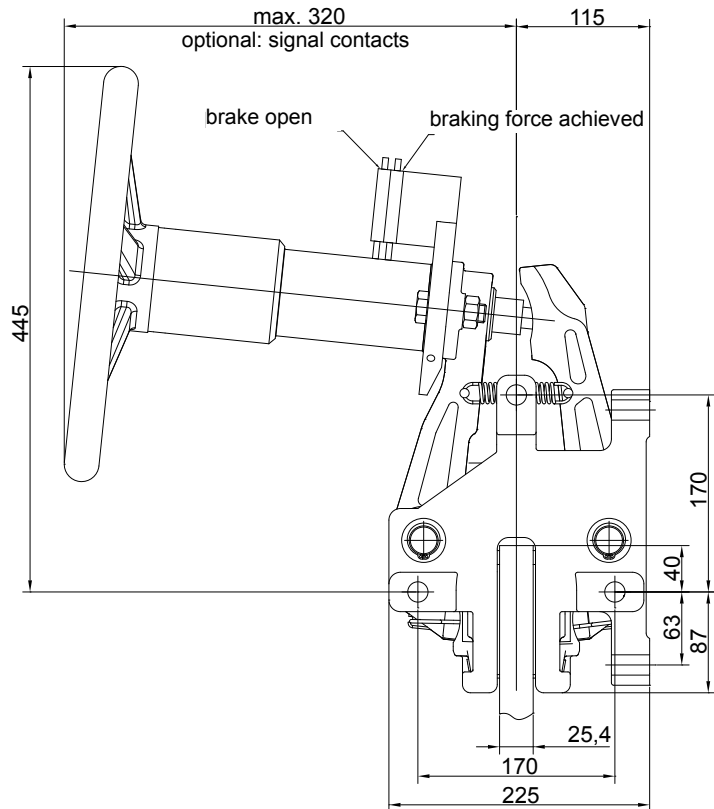
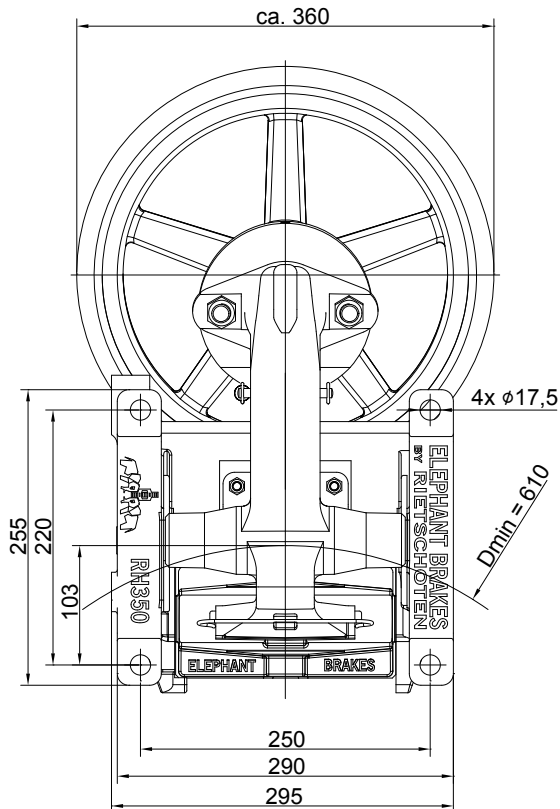


Mass: 55,5 kg

Subject to change without notice.

Elephant Brakes by Rietschoten Germany. Strong like an elephant. Smart like an elephant.

Deutsche van Rietschoten & Houwens GmbH · Junkersstraße 12 · 30179 Hannover · www.elephantbrakes.com



Right hand mounted as shown is standard – left hand mounted please state with order.
Mounting position is horizontal – please contact us if different.

Subject to change without notice.