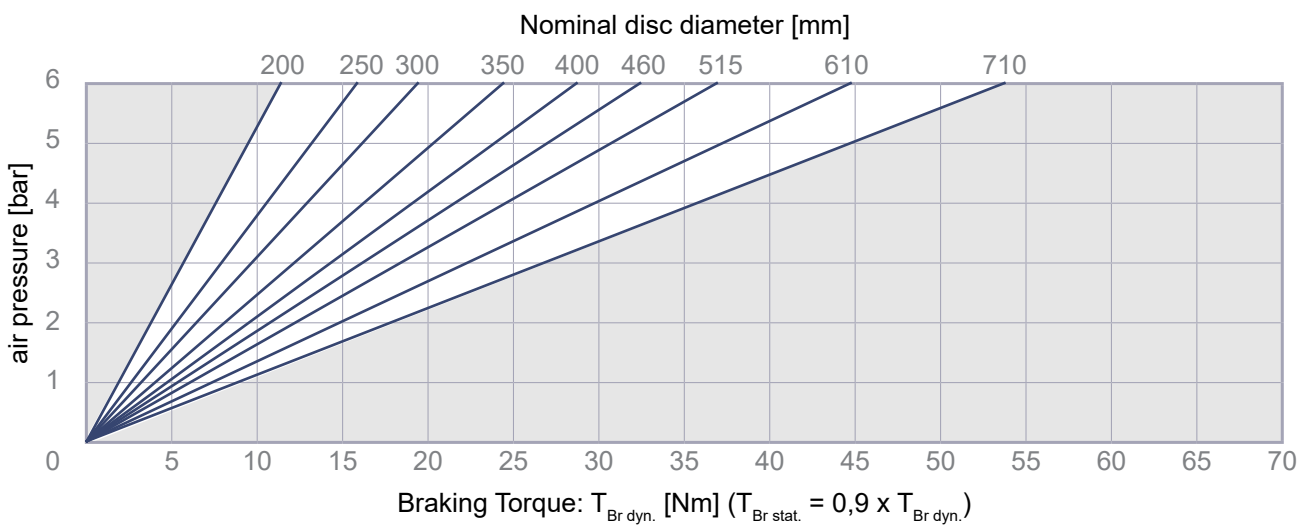


2D-drawing and dimensions see pg. 2

## R&H 100.101.01

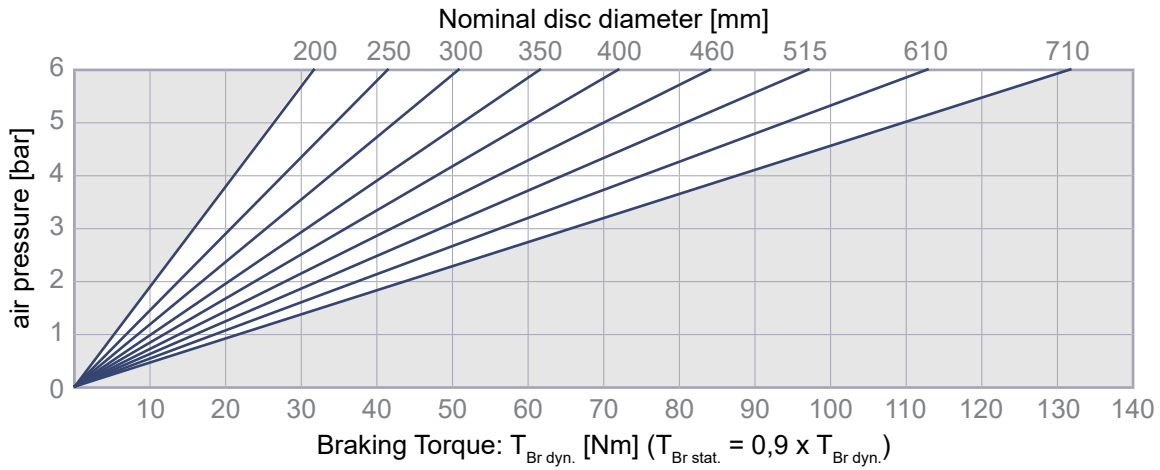


Subject to change without notice.

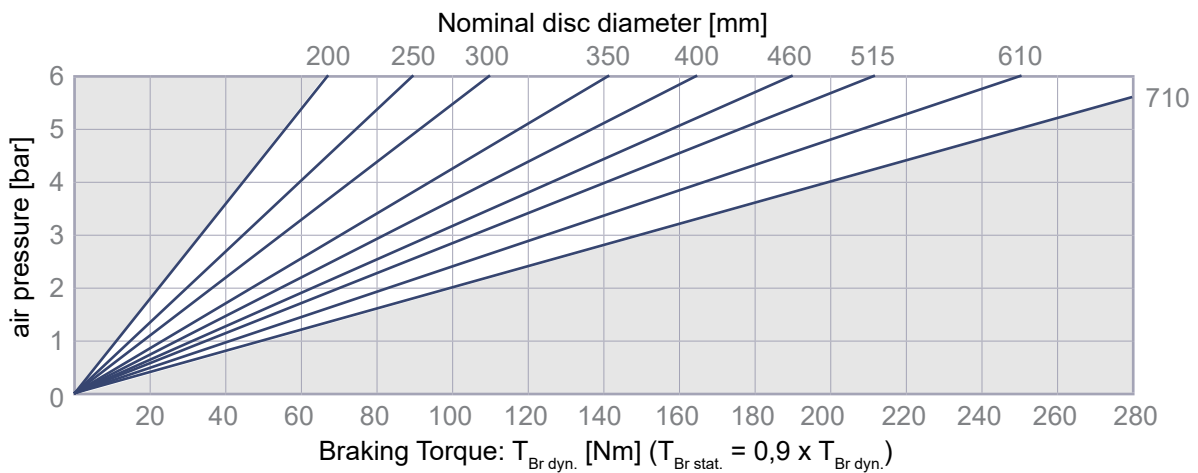
**Elephant Brakes by Rietschoten Germany. Strong like an elephant. Smart like an elephant.**

Deutsche van Rietschoten & Houwens GmbH · Junkersstraße 12 · 30179 Hannover · [www.elephantbrakes.com](http://www.elephantbrakes.com)

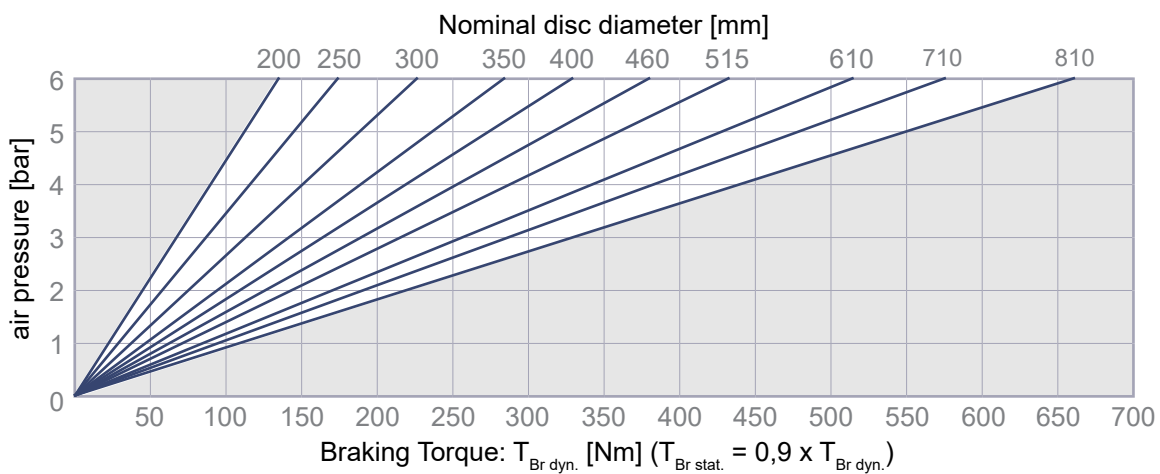
## R&H 100.102.01



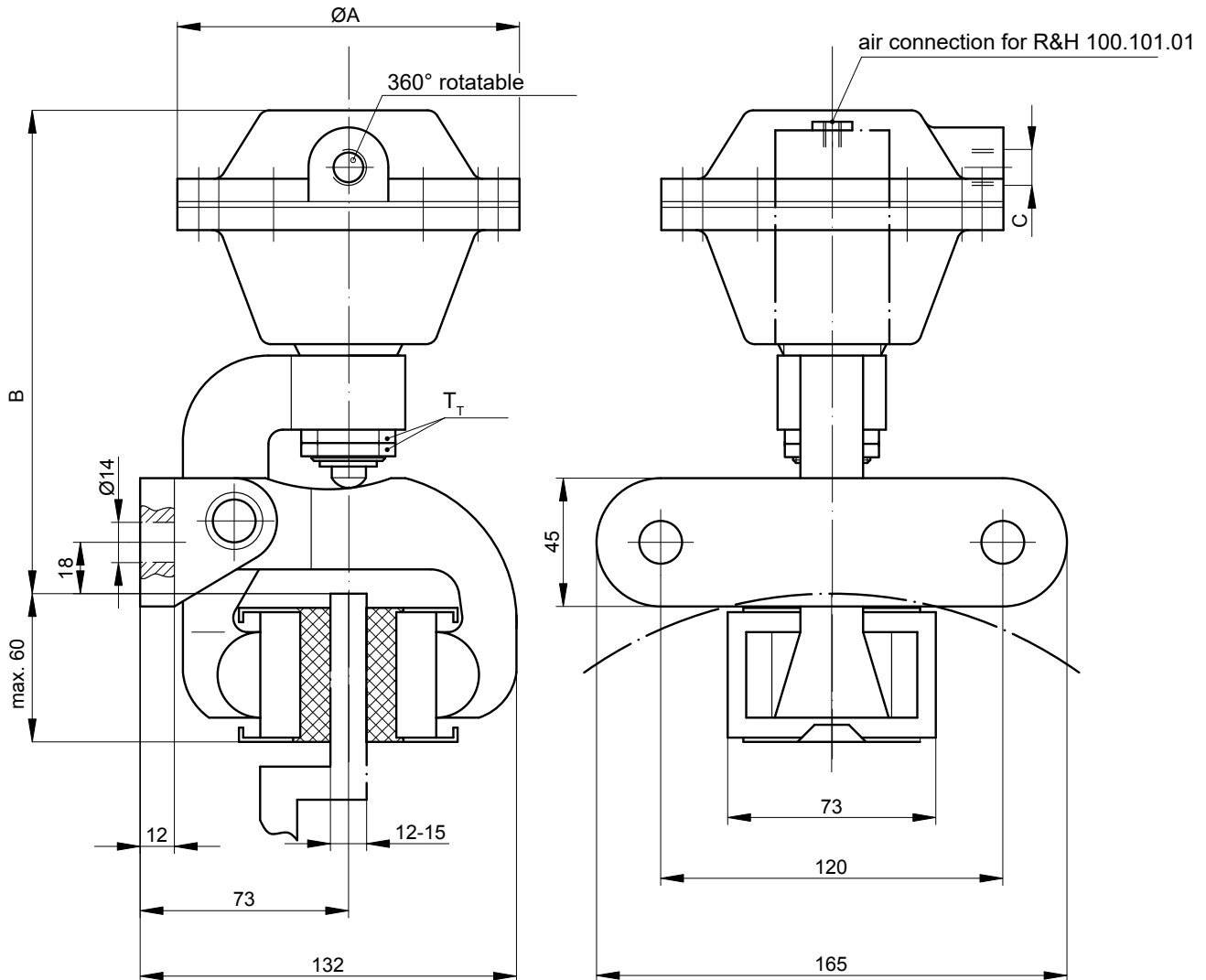
## R&H 100.103.01



## R&H 100.105.01



Subject to change without notice.



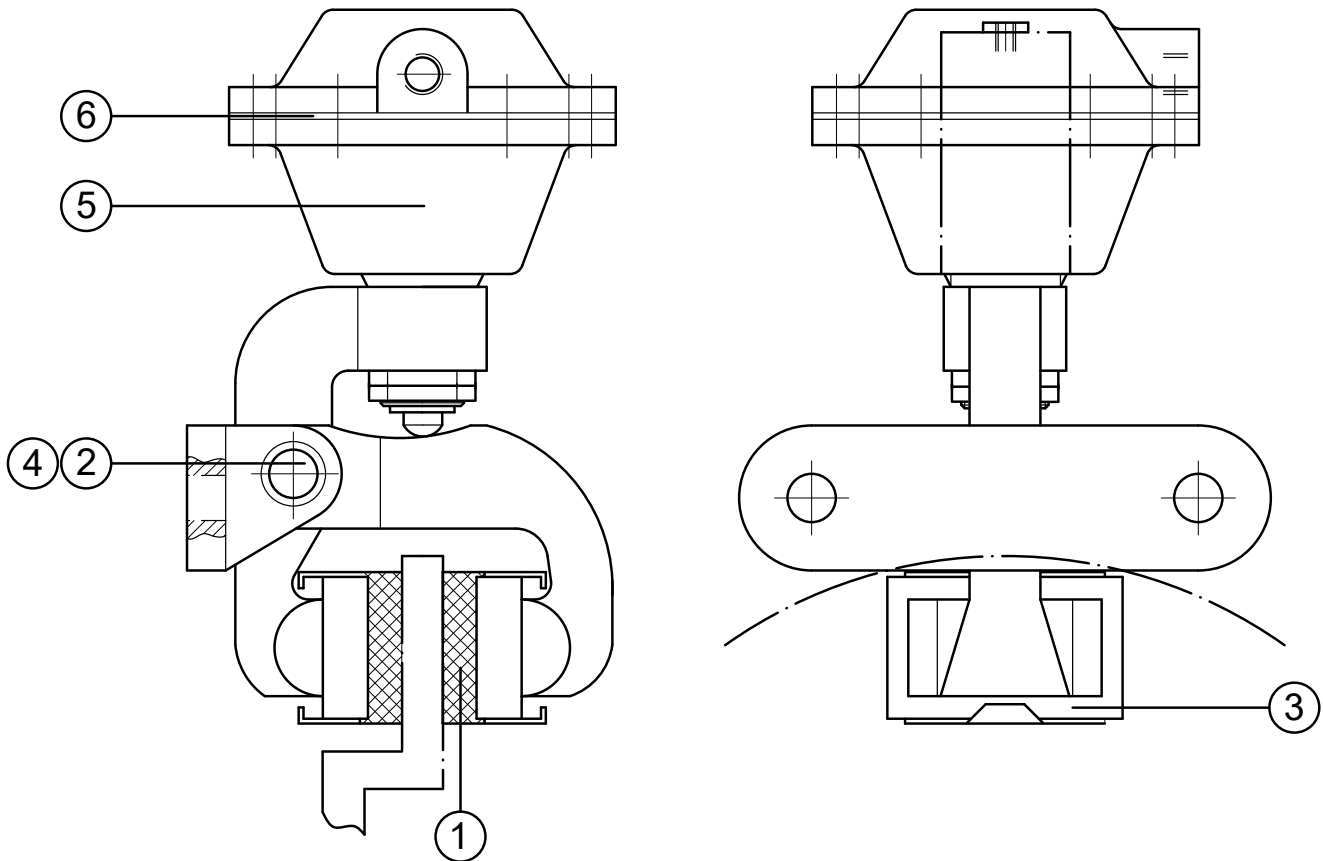
Mounting position is horizontal. Please get in touch if different.

Type	Part-No.	Mass [kg]	ØA [mm]	B [mm]	C	V / stroke [dm <sup>3</sup> ]	T <sub>T</sub> [Nm]
R&H 100.101.01	<b>10389</b>	3,1	40	170	G1/4"	0,04	15
R&H 100.102.01	<b>10390</b>	3,6	97	185		0,07	60
R&H 100.103.01	<b>10388</b>	4	120	175		0,15	
R&H 100.105.01	<b>10386</b>	4,3	144	180	G3/8"	0,30	

Subject to change without notice.

**Elephant Brakes by Rietschoten Germany. Strong like an elephant. Smart like an elephant.**

Deutsche van Rietschoten & Houwens GmbH · Junkersstraße 12 · 30179 Hannover · [www.elephantbrakes.com](http://www.elephantbrakes.com)



			Type			
			R&H 100.101.01	R&H 100.102.01	R&H 100.103.01	R&H 100.105.01
			Part-No.			
Item	Component	Quantity	<b>10389</b>	<b>10390</b>	<b>10388</b>	<b>10386</b>
1	Brake Pad	2	10775			
2	Pivot Pin	1	10292			
3	Retaining Spring	2	10268			
4	Tension Spring	1	10522			
5	Thruster	1	10136	10137	10135	10134
6	Diaphragm	1	-	10553	10241	10239

Subject to change without notice.

**Elephant Brakes by Rietschoten Germany. Strong like an elephant. Smart like an elephant.**

Deutsche van Rietschoten & Houwens GmbH · Junkersstraße 12 · 30179 Hannover · [www.elephantbrakes.com](http://www.elephantbrakes.com)