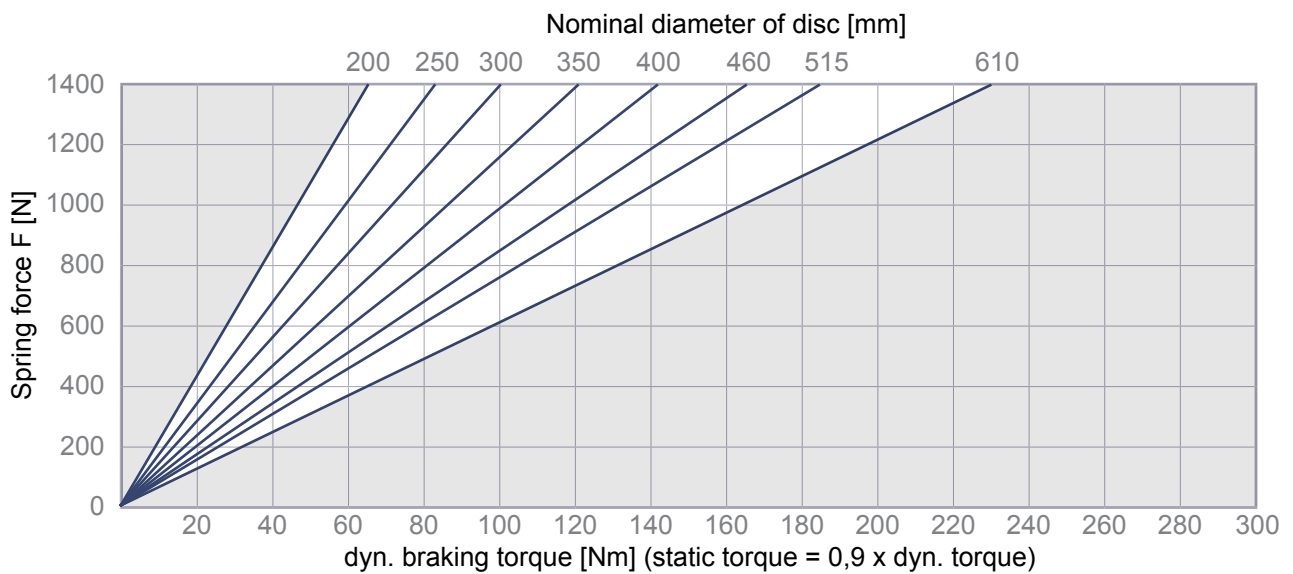




2D-drawing and dimensions see pg. 2

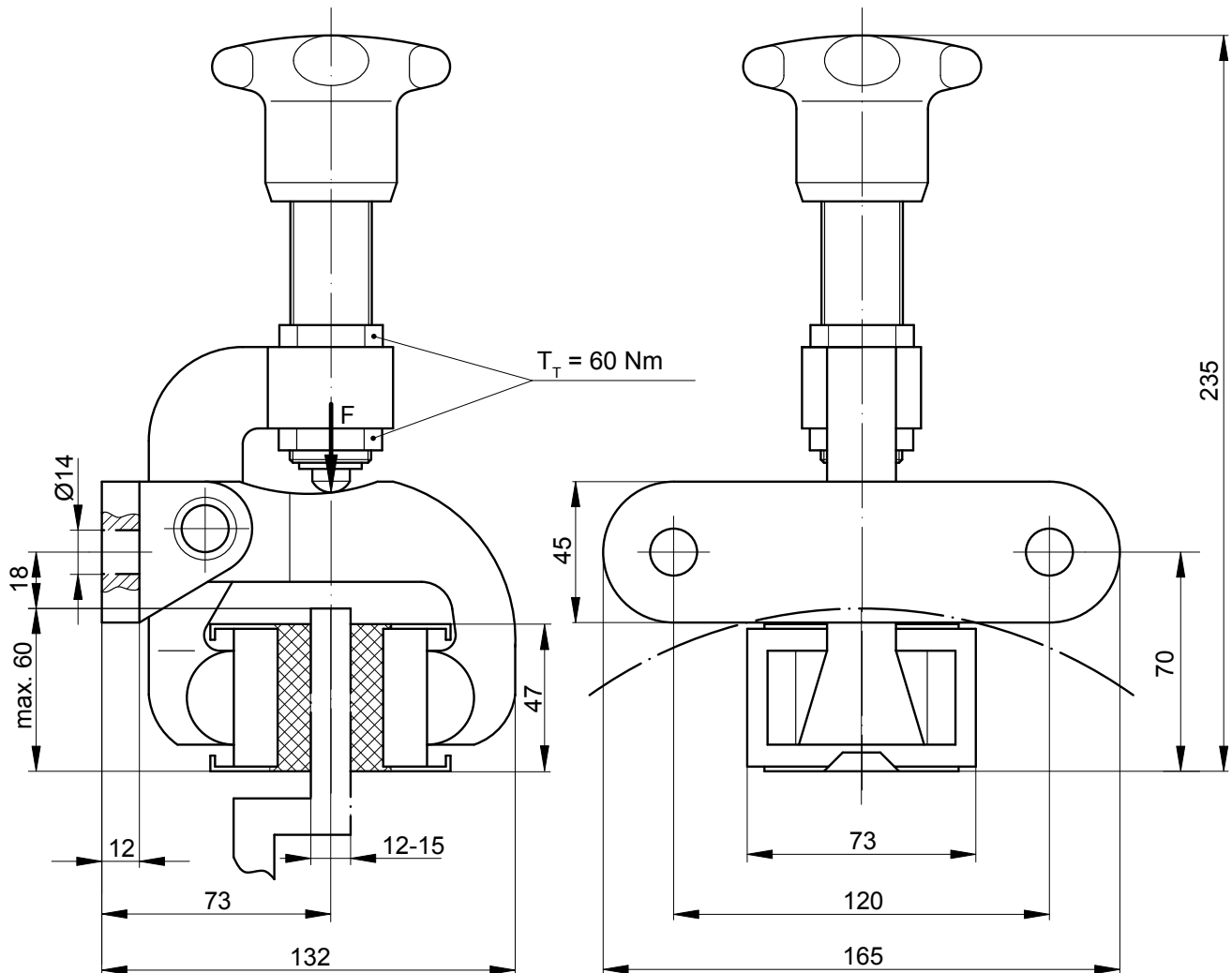


Mass: 3,3 kg
1 Turn \approx 175 N

Subject to change without notice.

Elephant Brakes by Rietschoten Germany. Strong like an elephant. Smart like an elephant.

Deutsche van Rietschoten & Houwens GmbH · Junkersstraße 12 · 30179 Hannover · www.elephantbrakes.com



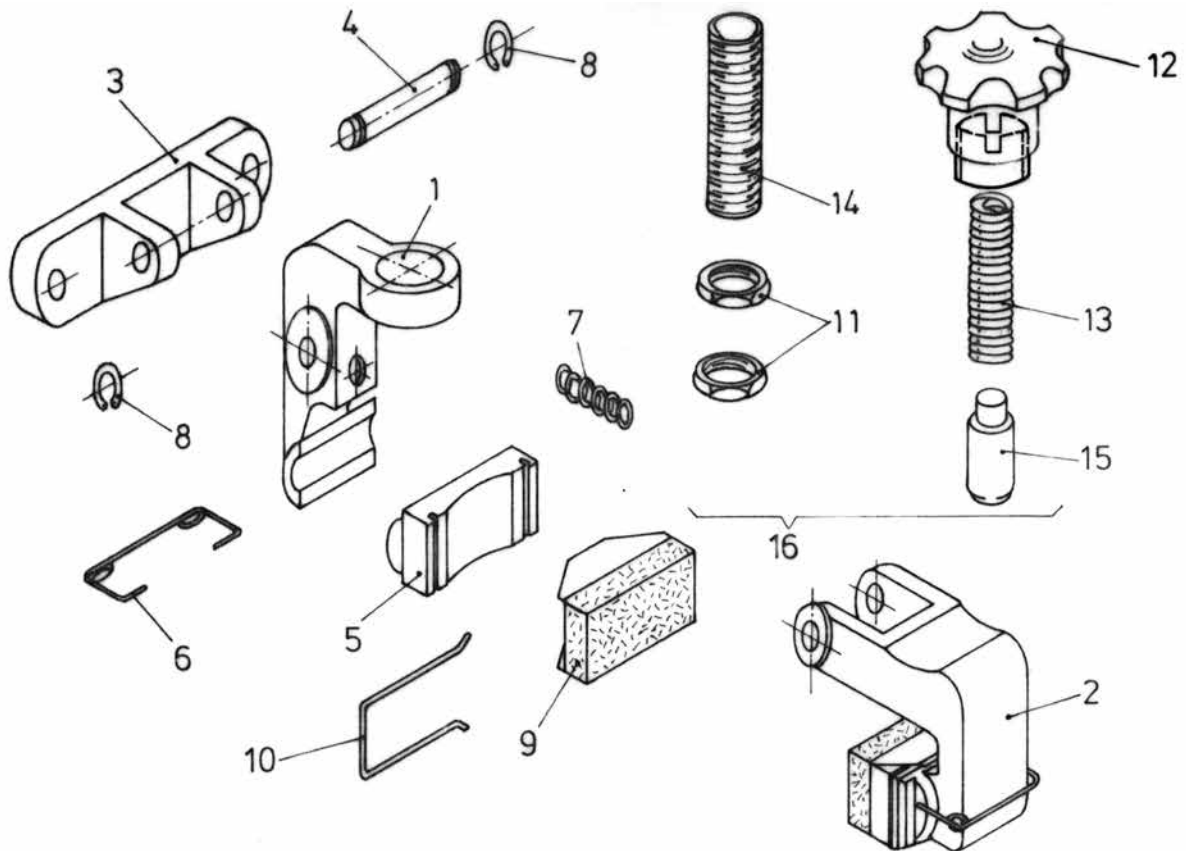
Brake shoes movably mounted.

Housing: GGG 40

Subject to change without notice.

Elephant Brakes by Rietschoten Germany. Strong like an elephant. Smart like an elephant.

Deutsche van Rietschoten & Houwens GmbH · Junkersstraße 12 · 30179 Hannover · www.elephantbrakes.com



Item	Component	Quantity	Part-No.
1	Brake lever (Thruster)	1	10517
2	Brake lever	1	10518
3	Bearing chair	1	10519
4	Pivot pin	1	10292
5	Brake shoe	2	10520
6	Shoe retaining spring	2	10521
7	Tension spring	1	10522
8	Locking ring	2	10313
9	Brake pad	2	10775
10	Retaining spring	2	10268
11	Hexagon nut	2	10319
12	Star knob	1	10943
13	Brake spring	1	10607
14	Bush	1	10608
15	Pressure bolt	1	10609
16	Actuator, complete	1	10605

Subject to change without notice.