

## Special Ball Bearings Agri Series (single row)



### WA LOCATIONS

Unit 1 / 45 Inspiration Drive, Wangara WA 6065  
(08) 9303 4966

Unit 16 / 51-53 Kewdale Road, Welshpool WA 6106  
(08) 6314 1155

[support@chainanddrives.com.au](mailto:support@chainanddrives.com.au)

### NSW LOCATION

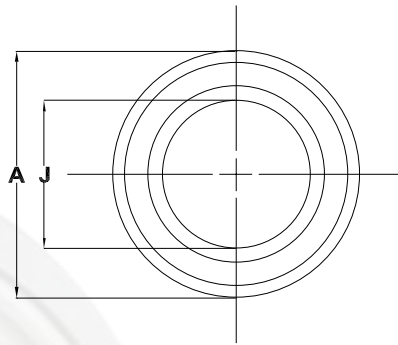
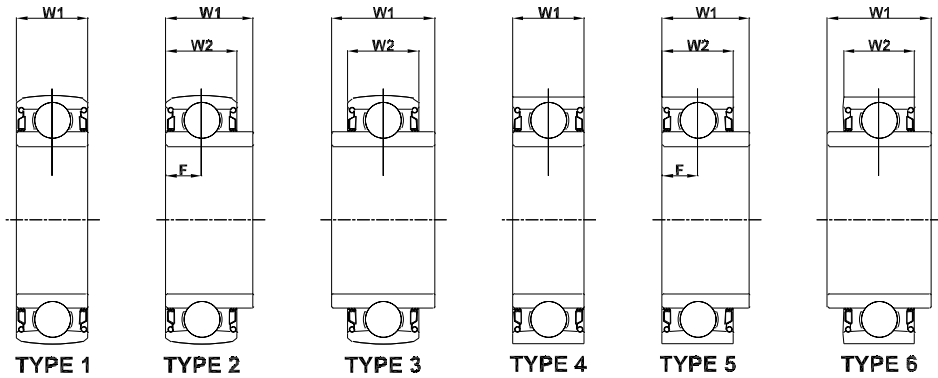
Unit 7 / 70 Holbeche Road, Arndell Park NSW 2148  
(02) 9674 8611

[salesnsw@chainanddrives.com.au](mailto:salesnsw@chainanddrives.com.au)



A Mechanical Equipment Group Company

# Round bore - Non-relubricatable



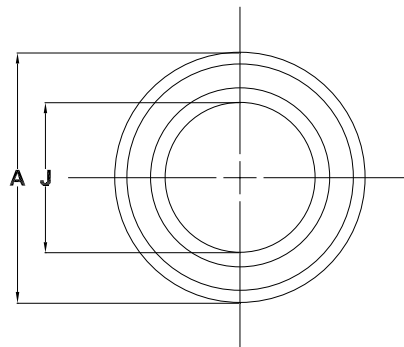
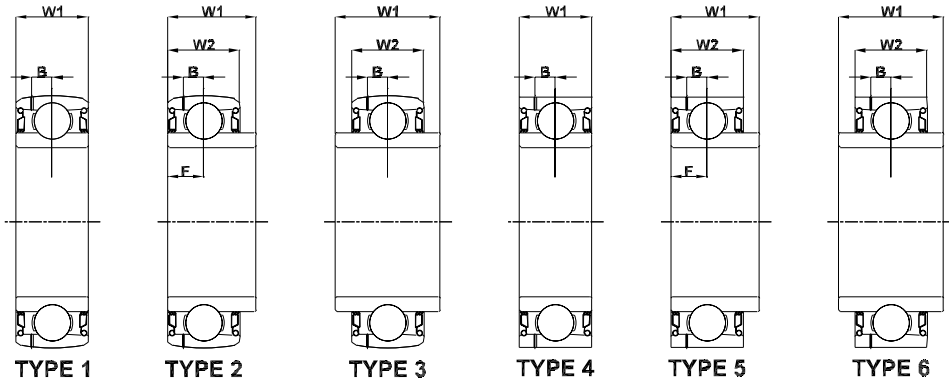
- Type 1 Spherical outer ring
- Type 2 Spherical outer ring - Inner ring extended one side
- Type 3 Spherical outer ring - Inner ring extended both sides
- Type 4 Cylindrical outer ring
- Type 5 Cylindrical outer ring - Inner ring extended one side
- Type 6 Cylindrical outer ring - Inner ring extended both sides



“Highly effective seal design provides unfailing protection against the loss of lubricant and the ingress of wet or abrasive contaminants”

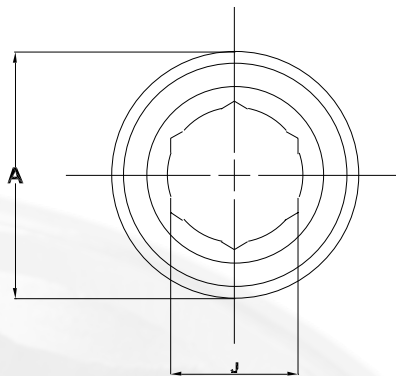
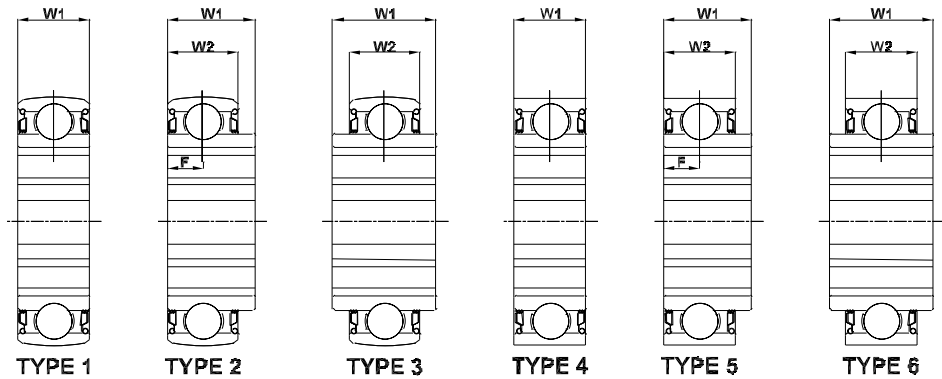
PFI part number	Type	Notes	I.D. mm (J)	I.D. inch (J)	O.D. mm (A)	W1 mm	W2 mm	Cross reference		Standard packing quantity (SPQ)
207NPPB	1		35,00		72,00	17,00		INA	207-XL-NPP-B	20
W209PPB2	1		45,00		85,00	30,18		FAFNIR	W209PPB2	10
PAST627A	3		55,56		100,00	55,50		PEER	ST627A	4
W205PPB7	3	Inch size bore	23,81	15/16	52,00	35,00	15,00	FAFNIR	205PPB7	20
203JD	4		17,00		40,00	14,00		PEER	203JD	20
204BBAR	4	Inch size bore	19,05	3/4	45,23	15,49		FAFNIR	P204RR6	20
204RY2	5	Inch size bore	16,03	5/8	45,22	18,67	15,49	FAFNIR	204RY2	20
205KRP2	5	Inch size bore	19,05	3/4	52,00	21,03	15,00	FAFNIR	205KRP2	20
PA205GP	5	Inch size bore	16,00	5/8	53,09	19,40		FAFNIR	205DDS-5/8	20
203KRR2 C3	6		16,26		40,00	18,29	12,00	FAFNIR	203KRR2	20
203KRR5 C3	6		13,08		40,00	18,29	12,00	FAFNIR	203KRR5	20
207KRR AH03 C3	6		35,00		72,00	25,00	17,00	INA	207-XL-KRR-AH03	20
208KRR4 C3	6		38,89		80,00	27,50	21,00	INA	208-XL-KRR-AH04	10
WIR210-31	6		49,21		90,00	49,20	20,00	PEER	WIR210-31	10
WIR211-33	6		52,39		100,00	56,60	21,00	PEER	WIR211-33	4
WIR212-39	6		61,91		110,00	61,90	22,00	PEER	WIR212-39	4

# Round bore - Relubricatable



- Type 1 Spherical outer ring
- Type 2 Spherical outer ring - Inner ring extended one side
- Type 3 Spherical outer ring - Inner ring extended both sides
- Type 4 Cylindrical outer ring
- Type 5 Cylindrical outer ring - Inner ring extended one side
- Type 6 Cylindrical outer ring - Inner ring extended both sides

# Hexagonal bore - Non-relubricatable



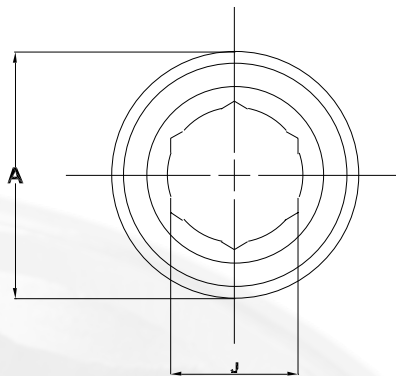
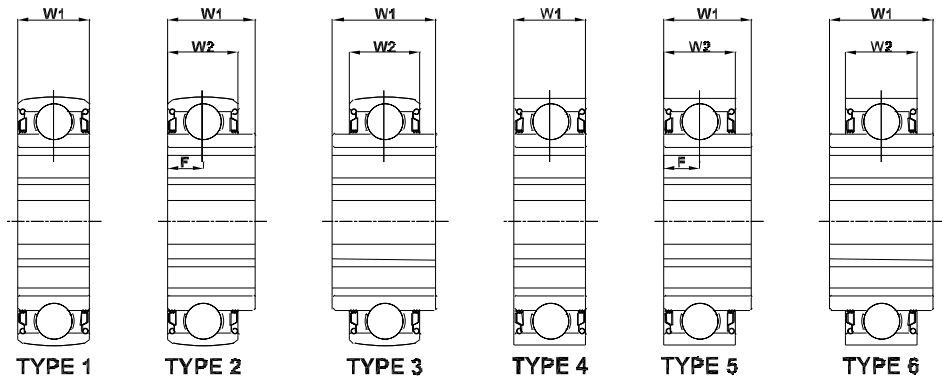
- Type 1 Spherical outer ring
- Type 2 Spherical outer ring - Inner ring extended one side
- Type 3 Spherical outer ring - Inner ring extended both sides
- Type 4 Cylindrical outer ring
- Type 5 Cylindrical outer ring - Inner ring extended one side
- Type 6 Cylindrical outer ring - Inner ring extended both sides

“Even if non-relubricatable versions work successfully in a large number of farm machinery applications, there are environments with extreme moisture prevalence, where the relubricatable versions may be a better fit”



PFI part number	Type	Notes	I.D. mm (J)	I.D. inch (J)	O.D. mm (A)	W1 mm	W2 mm	Cross reference	Standard packing quantity (SPQ)
G206NPPB	1		30.00		62.00	16.00		INA 206-XL-NPP-B	20

# Hexagonal bore - Non-relubricatable



- Type 1 Spherical outer ring
- Type 2 Spherical outer ring - Inner ring extended one side
- Type 3 Spherical outer ring - Inner ring extended both sides
- Type 4 Cylindrical outer ring
- Type 5 Cylindrical outer ring - Inner ring extended one side
- Type 6 Cylindrical outer ring - Inner ring extended both sides

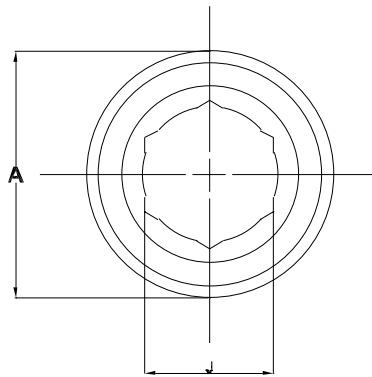
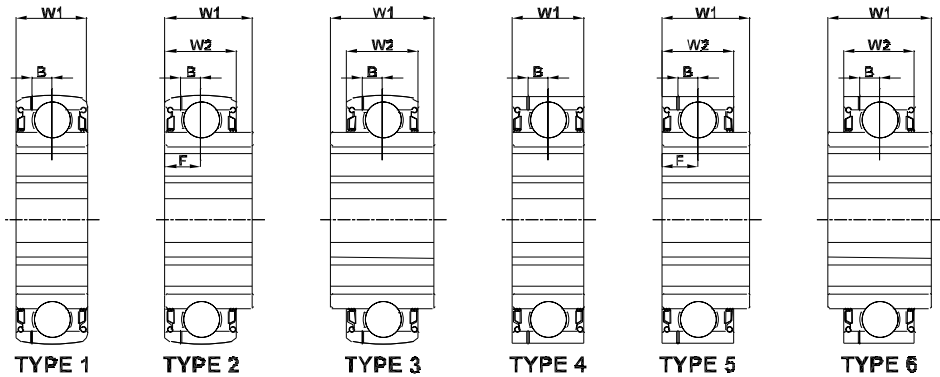


“When the sealed agricultural bearings come prelubricated, there are substantial savings, both in time and money, since the use of these bearings eliminates labor, cost of greasing equipment and cost of bearing replacement”

PFI part number	Type	Notes	I.D. mm (J)	I.D. inch (J)	O.D. mm (A)	W1 mm	W2 mm	Cross reference		Standard packing quantity (SPQ)
205KRRB2 C3	3	Inch size bore	22,25	7/8	52,00	25,40		FAFNIR	205KRRB	20
206KRRB6	3	Inch size bore	25,43	1	62,00	24,00	16,00	FAFNIR	206KRRB6	20
209KRRB2 C3	3	Inch size bore	38,10	1 1/2	85,00	30,00	19,00	FAFNIR	209KRRB2	10
204KRR2 C3	6	Inch size bore	17,65	11/16	47,00	20,96	14,00	FAFNIR	204KRR2	20



# Hexagonal bore - Relubricatable



- Type 1 Spherical outer ring
- Type 2 Spherical outer ring - Inner ring extended one side
- Type 3 Spherical outer ring - Inner ring extended both sides
- Type 4 Cylindrical outer ring
- Type 5 Cylindrical outer ring - Inner ring extended one side
- Type 6 Cylindrical outer ring - Inner ring extended both sides



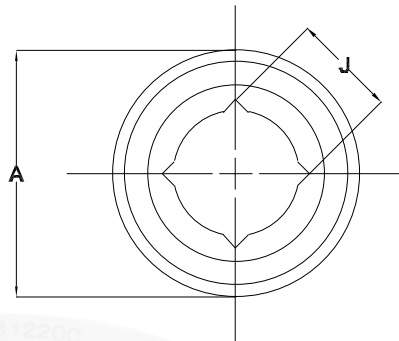
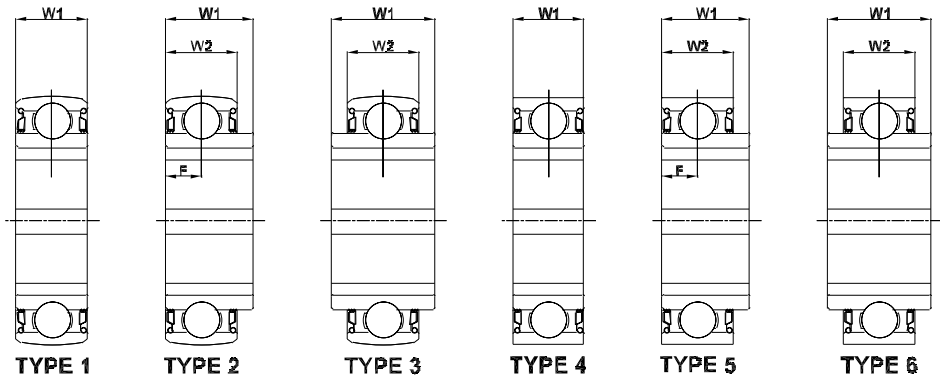
“PFI bearings’ optimum design and material technology (precise internal geometry, improved raceway surface, high grade forged rings) meet our customers’ long service life and heavy-load endurance expectations”

PFI part number	Type	Notes	I.D. mm (J)	I.D. inch (J)	O.D. mm (A)	W1 mm	W2 mm	Cross reference		Standard packing quantity (SPQ)
G210KPPB2	3	Inch size bore	38,12	1 1/2	90,00	30,00		INA	SK108-210-KRR-B	10

#### Comparative Cross References

INA	SK108-210KRRB
INA	SK108-210-KRR-B
BCA	HPS108GPB-I
NTN	SBX10A02LLC3
PEER	G21KPPB2
SKF	YHC 210-108-2LS8W/VT357

# Square bore - Non-relubricatable



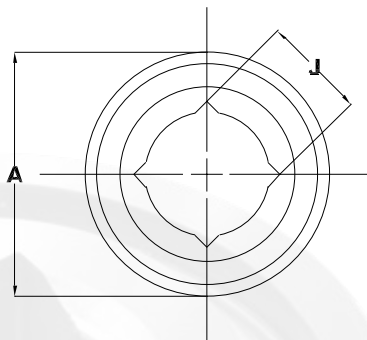
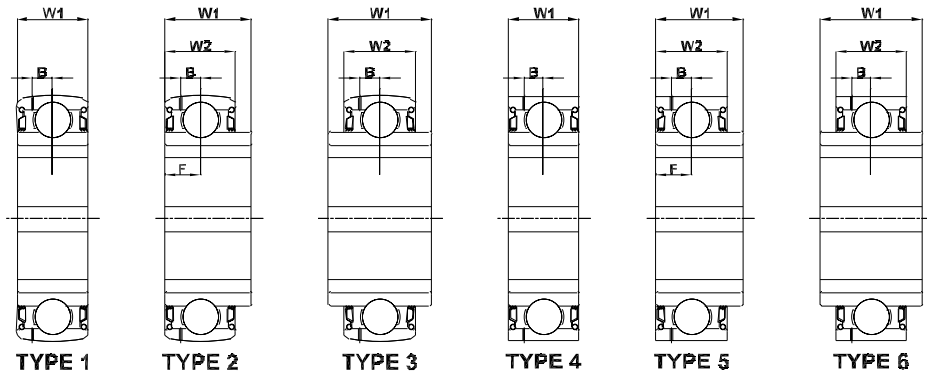
- Type 1 Spherical outer ring
- Type 2 Spherical outer ring - Inner ring extended one side
- Type 3 Spherical outer ring - Inner ring extended both sides
- Type 4 Cylindrical outer ring
- Type 5 Cylindrical outer ring - Inner ring extended one side
- Type 6 Cylindrical outer ring - Inner ring extended both sides

“With prelubricated bearings the danger of contaminating the bearings by incorrect relubrication practices is avoided. Additionally, bearing failure is also prevented by limiting the possibility of using the wrong grease or over lubricating”



PFI part number	Type	Notes	I.D. mm (J)	I.D. inch (J)	O.D. mm (A)	W1 mm	W2 mm	Cross reference		Standard packing quantity (SPQ)
W211PPB3	1	Inch size bore	38,10	1 1/2	100,00	33,34		FAFNIR	W211PPB3	10
W209PPB5	2	Inch size bore	31,80	1 1/4	85,00	36,50	30,18	FAFNIR	W209PPB5	10
W208PPB5	3	Inch size bore	28,60	1 1/8	80,00	36,51		FAFNIR	W208PPB5	10
W208PPB6	3	Inch size bore	25,40	1	80,00	36,51	18,00	FAFNIR	W208PPB6	10
W208PPB8	3	Inch size bore	28,60	1 1/8	80,00	36,51	30,16	FAFNIR	W208PPB8	10
W208PPB12	3	Inch size bore	28,60	1 1/8	85,75	36,51	30,20	FAFNIR	W208PPB12	10
W210PPB6	3	Inch size bore	28,60	1 1/8	90,00	36,51	30,18	FAFNIR	W210PPB6	10
PAG14830390	5		16,4		47,00	25,00		GASPARDO	G14830390	20
W208PP8	6	Inch size bore	28,60	1 1/8	80,00	36,51		FAFNIR	W208PP8	10

# Square bore - Relubricatable



- Type 1 Spherical outer ring
- Type 2 Spherical outer ring - Inner ring extended one side
- Type 3 Spherical outer ring - Inner ring extended both sides
- Type 4 Cylindrical outer ring
- Type 5 Cylindrical outer ring - Inner ring extended one side
- Type 6 Cylindrical outer ring - Inner ring extended both sides