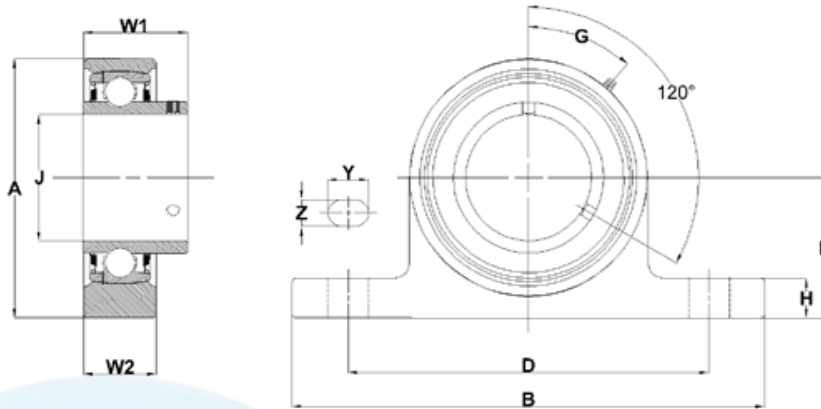


Cast iron housing - radial insert bearing grub screws in inner ring



PFI part number	Grease nipple	J (mm)	J (inch)	F (mm)	B (mm)	D (mm)	W1 (mm)
UCP204-3L	Yes	20,00	-	33,3	127	95	38
UCP205-16-3L	Yes	25,40	1	36,5	140	105	38
UCP205-3L	Yes	25,00	-	36,5	140	105	38
UCP206-3L	Yes	30,00	-	42,9	165	121	48
UCP207-3L	Yes	35,00	-	47,6	167	127	48
UCP208-24-3L	Yes	38,10	1 1/2	49,2	184	137	54
UCP208-3L	Yes	40,00	-	49,2	184	137	54
UCP209-28-3L	Yes	44,45	1 3/4	54,0	190	146	54
UCP209-3L	Yes	45,00	-	54,0	190	146	54
UCP210-3L	Yes	50,00	-	57,2	206	159	60
UCP211-32-3L	Yes	50,80	2	63,5	219	171	60
UCP211-3L	Yes	55,00	-	63,5	219	171	60
UCP212-3L	Yes	60,00	-	69,8	241	184	70
UCP213-3L	Yes	65,00	-	76,2	265	203	70

WA LOCATIONS

Unit 1 / 45 Inspiration Drive, Wangara WA 6065
(08) 9303 4966

Unit 16 / 51-53 Kewdale Road, Welshpool WA 6106
(08) 6314 1155

support@chainanddrives.com.au

NSW LOCATION

Unit 7 / 70 Holbeche Road, Arndell Park NSW 2148
(02) 9674 8611

salesnsw@chainanddrives.com.au



Y (mm)	Z (mm)	H (mm)	A (mm)	W2 (mm)	Cross reference		Standard packing quantity (SPQ)
19	13	14	65	31,0	INA	UCP204	5
19	13	15	70	34,1	INA	UCP205-16	5
19	13	15	70	34,1	INA	UCP205	5
21	17	17	83	38,1	INA	UCP206	3
21	17	18	93	42,9	INA	UCP207	3
21	17	18	98	49,2	INA	UCP208-24	3
21	17	18	98	49,2	INA	UCP208	3
22	18	20	106	49,2	INA	UCP209-28	3
22	18	20	106	49,2	INA	UCP208	3
25	20	21	114	51,6	INA	UCP209	3
25	20	23	126	55,6	INA	UCP211-32	4
25	20	23	126	55,6	INA	UCP211	4
25	20	25	138	65,1	INA	UCP212	2
29	25	27	151	65,1	INA	UCP213	2

WA LOCATIONS

Unit 1 / 45 Inspiration Drive, Wangara WA 6065
(08) 9303 4966

Unit 16 / 51-53 Kewdale Road, Welshpool WA 6106
(08) 6314 1155

support@chainanddrives.com.au

NSW LOCATION

Unit 7 / 70 Holbeche Road, Arndell Park NSW 2148
(02) 9674 8611

salesnsw@chainanddrives.com.au



A Mechanical Equipment Group Company