

WASTE WATER TREATMENT

INQUIP
BULK MATERIAL
& DUST HANDLING

PRODUCT » DENSITY » FLOW

Distributor for  WAMGROUP

Mini Screw Screens WASTEMASTER® CT - CTC



 WAMGROUP

 **SPECOR**®

THE LIGHTEST SCREW SCREEN ON THE MARKET

The WASTEMASTER® CT Screw Screen consists of a tubular screen equipped with a screw in SINT™ engineering polymer. WASTEMASTER® CT is an inclined screw screen suitable for small flow rates in pit application. Due to its steep installation angle the WASTEMASTER® CT Mini-Screw Screen can be fitted in small pits or in any application in which very low flow rates of waste water have to be handled. Examples are small industrial applications, hotels, resorts, car washes, etc.

An interesting application is for mechanical pre-treatment in small container waste water plants, via direct feeding through a submersible pump or directly flanged to the sewage pipe. Generally WASTEMASTER® CT Mini-Screw Screen is suitable for applications with low flow rates in confined spaces.

Technical Features

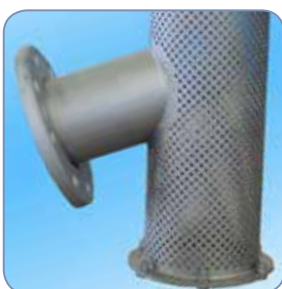
- All fabricated parts in 304L / 316L stainless steel
- Anti-wear SINT™ engineering polymer screw
- Screens in different mesh sizes (2 or 5 mm)
- For municipal and industrial solids-liquid separation of effluents



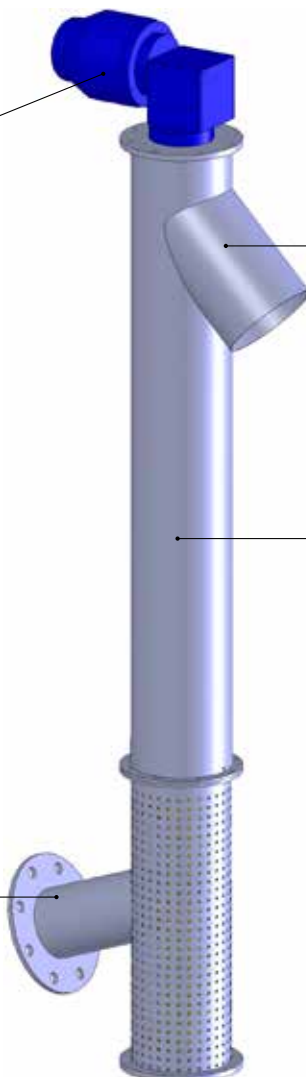
Gear Motor



Outlet Spout



Inlet spout and screen basket



Anti-wear SINT™ engineering polymer screw

MODEL	FLOW RATE (2mm) [l/s]	FLOW RATE (5mm) [l/s]	SOLIDS EXTRACTION [dm ³ /s]
CT	5	10	0.11

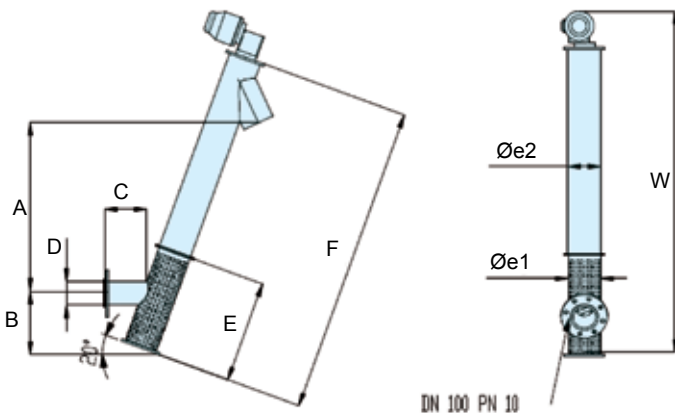
Note: Values related to clean water

Benefits

- ✓ Lightweight design (less than 30 kg);
- ✓ High extraction efficiency;
- ✓ No brushes;
- ✓ Easy installation;
- ✓ No internal bearings;
- ✓ Low investment and maintenance costs.

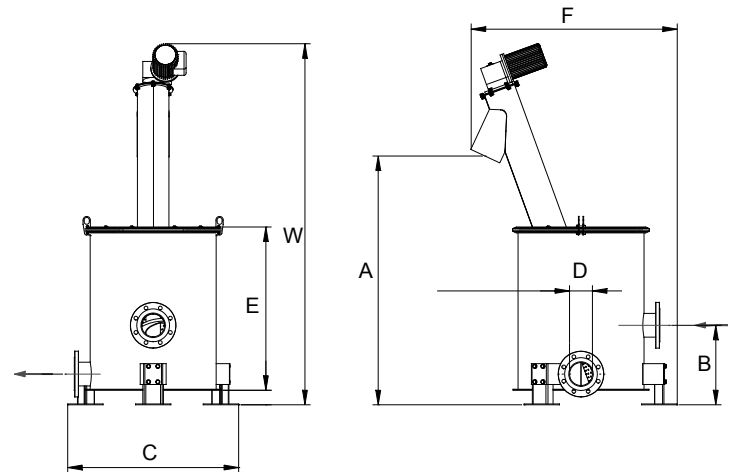
Overall Dimensions

CT



Dimensions									
A	B	C	D	E	F	W	Øe1	Øe2	
800	300	200	110	480	1,460	1,600	154	156	

CTC



Dimensions									
A	B	C	D	E	F	W	Øe1	Øe2	
1,200	385	825	DN 100	785	995	1,740	154	156	

Dimensions in mm

Accessories

- Quick coupling (only for CT)

Applications



063002389 May 2015 Rights reserved to modify technical specifications.

